

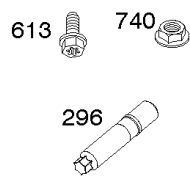
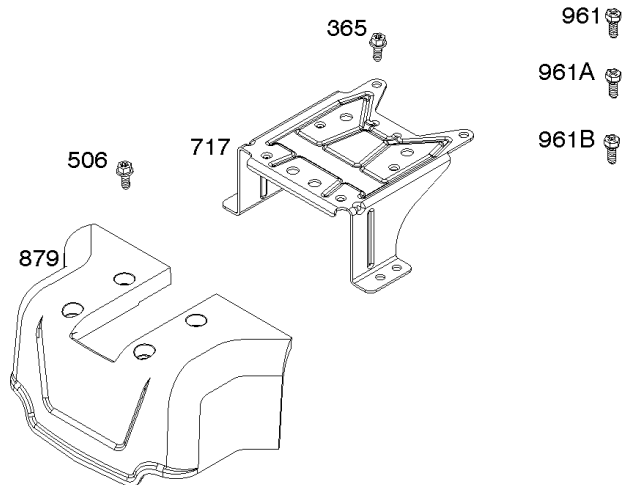
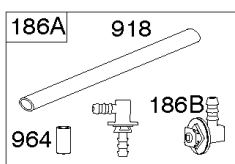
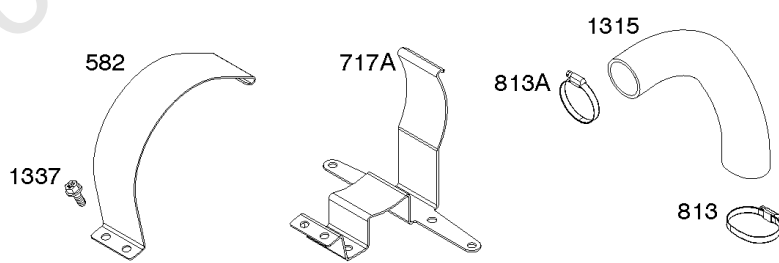
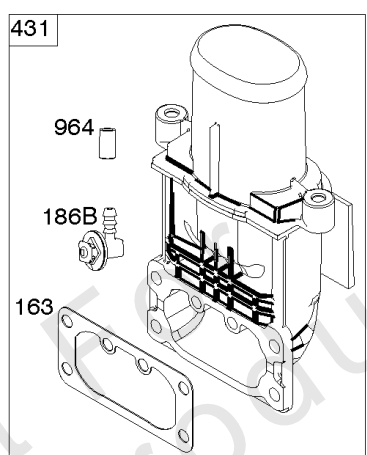
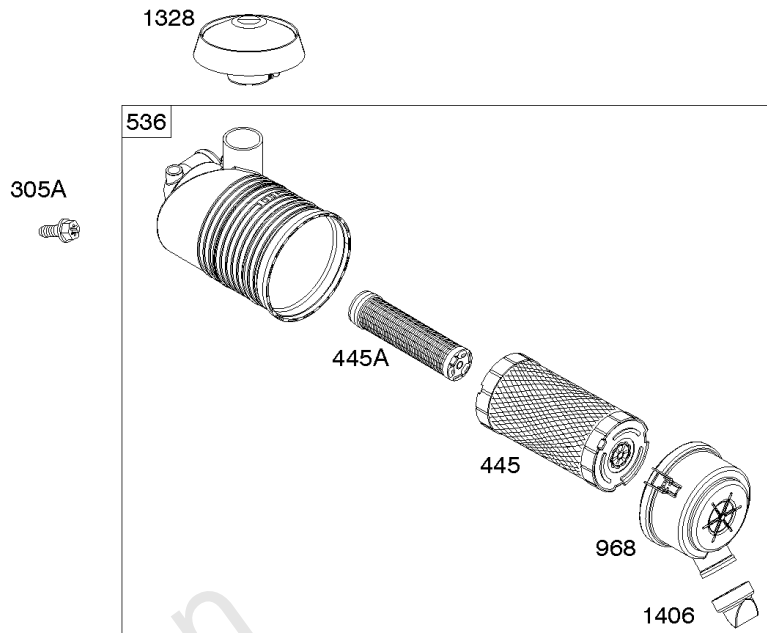
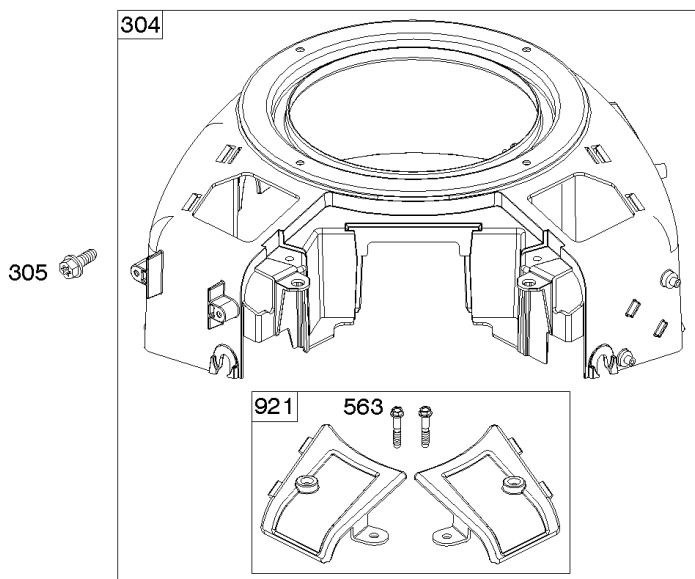


Parts Manual

Mfg. No: 49R977-0001-G1

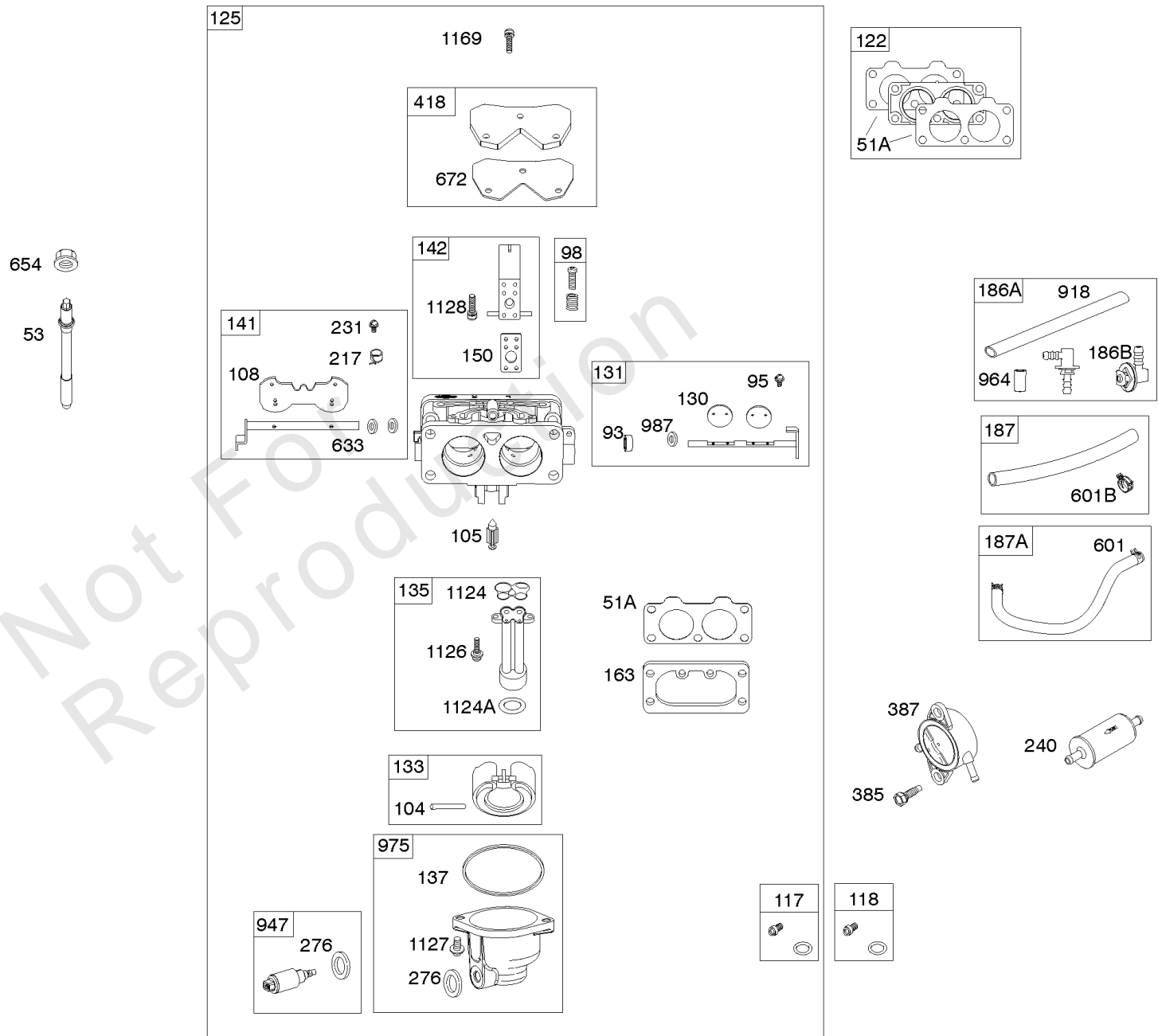
Model Components	Page
Blower Housing, Air Cleaner.....	4
Carburetor, Fuel Supply.....	6
Cylinder Head, Rocker Arm Cover, Intake Manifold.....	10
Cylinder, Crankshaft, Camshaft, Air Guides.....	14
Engine Sump, Oil Cooler, Dipstick/Tube Assembly.....	18
Engine/Valve Gasket Set, Carburetor Overhaul Kit.....	22
Flywheel, Controls, Wire Harness, Alternator, Starter.....	24
Replacement Engine - Europe, Middle East & Africa.....	28
Replacement Engine - US & Canada.....	29
Model 40, 44 & 49 Engine Accessories Catalog.....	30
Maintenance Kits.....	31
Engine Mounted Below Deck Mufflers.....	33
Engine Mounted Above Deck Mufflers.....	35
Spark Arrester/Deflector.....	37
Lubrication.....	39
Implement Mounted Above Deck Mufflers.....	41
Exhaust/Muffler Configurations.....	43
Electrical.....	45
Flywheel Guards.....	47
Speed Control.....	49
Muffler Mounting Hardware.....	51

Not For
Reproduction



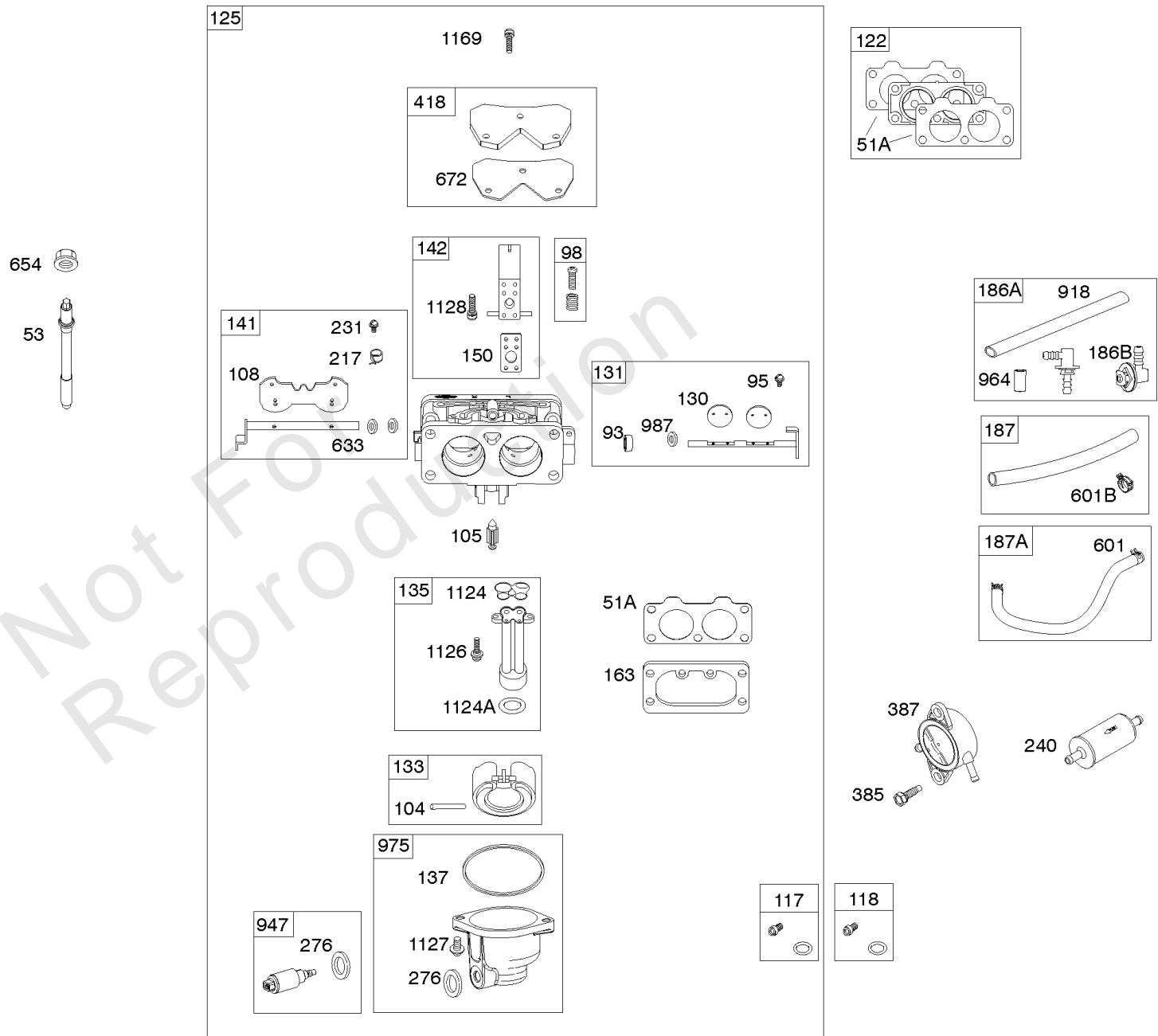
Blower Housing, Air Cleaner

REF NO	PART NO	QTY	DESCRIPTION
163	691001		GASKET, Air Cleaner
186A	799158		CONNECTOR, Hose -(EVAP)
186B	845141		CONNECTOR, Hose -(EVAP)
296	591756		STUD -(Muffler)
304	593622		HOUSING, Blower
305	594618		SCREW -(Blower Housing)
305A	593634		SCREW -(Blower Housing) (Oil Drain Retainer)
365	593616		SCREW -(Carburetor/Throttle Body)
431	593630		ELBOW, Intake
445	841497		FILTER, A/C Cartridge
445A	821136		FILTER, A/C Cartridge
506	690297		SCREW -(Carburetor/EFI Cover)
536	593626		CLEANER, Air
563	799360		SCREW -(Debris Screen Guard)
582	593618		CLAMP, Air Cleaner
613	690341		SCREW -(Muffler)
717	593619		BRACKET, Air Cleaner
717A	593620		BRACKET, Air Cleaner
740	690941		NUT -(Muffler Bracket)
813	593624		CLAMP
813A	593625		CLAMP
879	593621		COVER, Carburetor/EFI
918	799160		HOSE, Vacuum -(Length 9.4 Inches)
921	593629		COVER, Blower Housing
961	691108		SCREW -(Air Cleaner Bracket)
961A	593616		SCREW -(Air Cleaner Bracket)
961B	593617		SCREW -(Air Cleaner Bracket)
964	799159		CAP, Connector
968	593627		COVER, Air Cleaner
1315	593623		HOSE, Air Cleaner
1328	809907		CAP, A/C Rain
1337	593616		SCREW -(Air Cleaner Clamp)
1406	593628		VALVE, Debris
1425	845717		HOSE, Purge Line



Carburetor, Fuel Supply

REF NO	PART NO	QTY	DESCRIPTION
51A	594427		GASKET, Intake
53	690951		STUD -(Carburetor)
93	845864		BUSHING, Throttle Shaft
95	690718		SCREW -(Throttle Valve)
98	699721		KIT, Idle Speed
104	694918		PIN, Float Hinge
105	797410		VALVE, Float Needle
108	699723		VALVE, Choke
117	842082		JET, Main -(Standard) (Left and Right Jet)
118	842081		JET, Main -(High Altitude) (Left and Right Jet)
122	593425		SPACER, Carburetor
125	593484		CARBURETOR
130	796875		VALVE, Throttle
131	796872		KIT, Throttle Shaft
133	699724		FLOAT, Carburetor
135	699729		TUBE, Fuel Transfer
137	690994		GASKET, Float Bowl
141	799112		KIT, Choke Shaft
142	796871		NOZZLE, Carburetor
150	841649		GASKET, Nozzle
163	691001		GASKET, Air Cleaner
186A	799158		CONNECTOR, Hose -(EVAP)
186B	845141		CONNECTOR, Hose -(EVAP)
187	791766		LINE, Fuel -(15 Inches Long)(Cut to Required Length)
187A	593127		LINE, Fuel -(Formed Hose)
217	799771		SPRING, Choke Return
231	690718		SCREW -(Choke Valve)
240	695666		FILTER, Fuel
276	695410		WASHER, Sealing
385	797409		SCREW -(Fuel Pump) (Fuel Pump Mounted To Blower Housing)
387	808656		PUMP, Fuel
418	795912		PLATE, Carburetor Cover
601	691038		CLAMP, Hose -(Black)
601B	791850		CLAMP, Hose -(Green)
633	690722		SEAL, Choke/Throttle Shaft
654	690958		NUT -(Carburetor)
672	690234		GASKET, Carburetor Plate
918	799160		HOSE, Vacuum -(Length 9.4 Inches)
947	798779		SOLENOID, Fuel
964	799159		CAP, Connector
975	799114		BOWL, Float

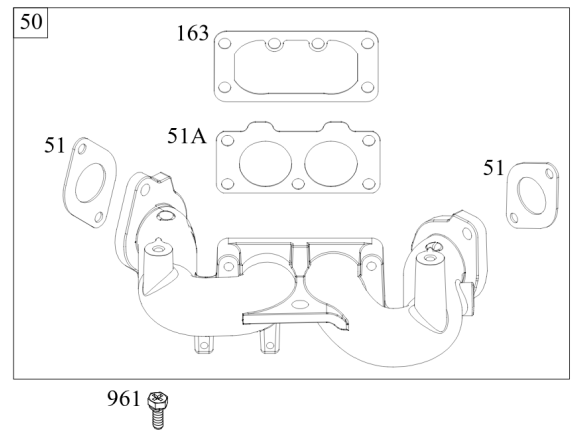
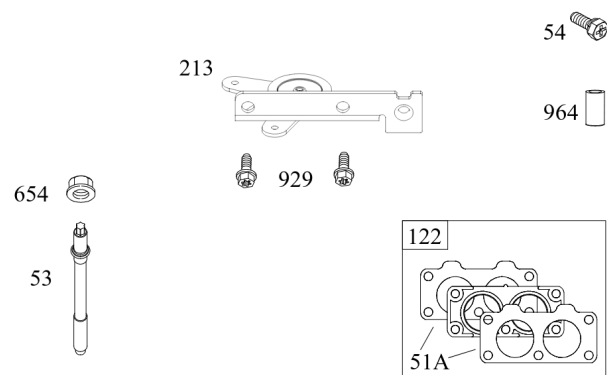
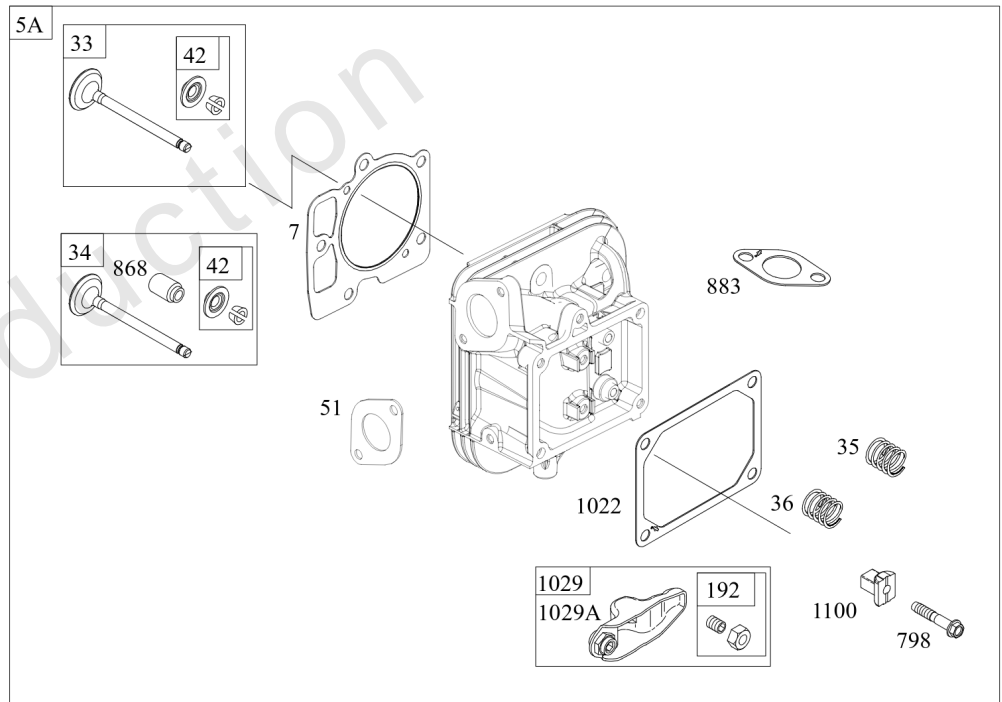
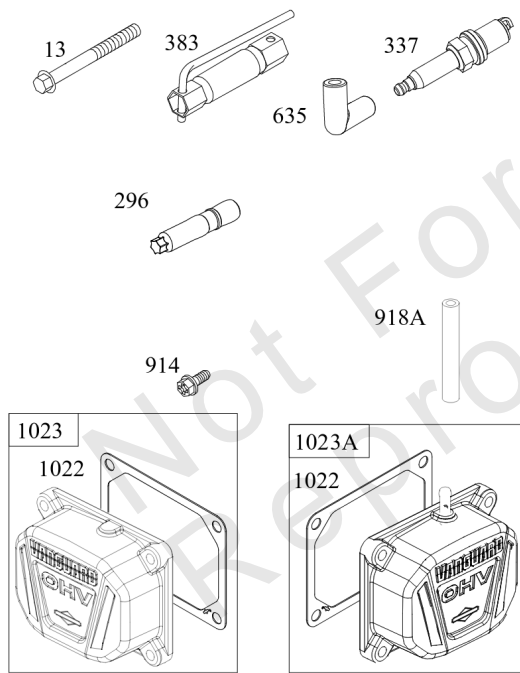
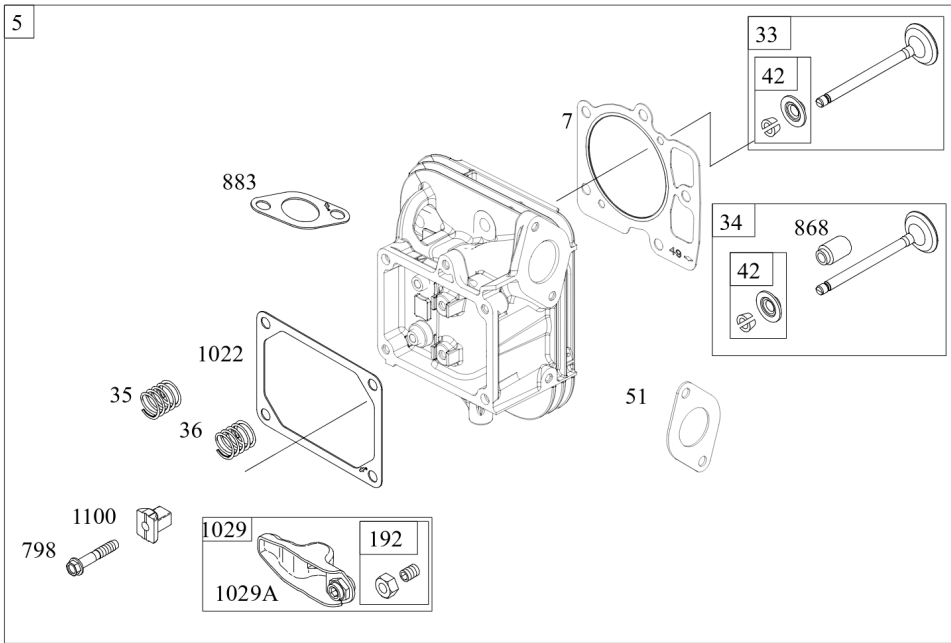


Not For Reproduction

Carburetor, Fuel Supply

REF NO	PART NO	QTY	DESCRIPTION
987	808183		SEAL, Choke/Throttle Shaft
1124	690988		SEAL, O-Ring -(Fuel Transfer Tube)
1124A	841653		SEAL, O-Ring -(Fuel Transfer Tube)
1126	690991		SCREW -(Fuel Transfer Tube)
1127	695407		SCREW -(Float Bowl) (Float Bowl to Carburetor Body)
1128	690990		SCREW -(Carburetor Nozzle)
1169	690990		SCREW -(Carburetor Cover Plate)

Not For Reproduction

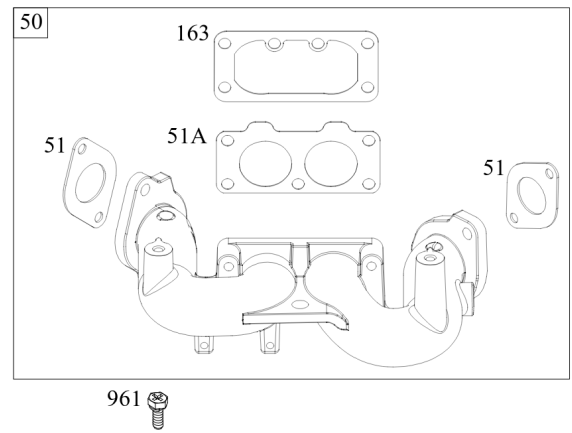
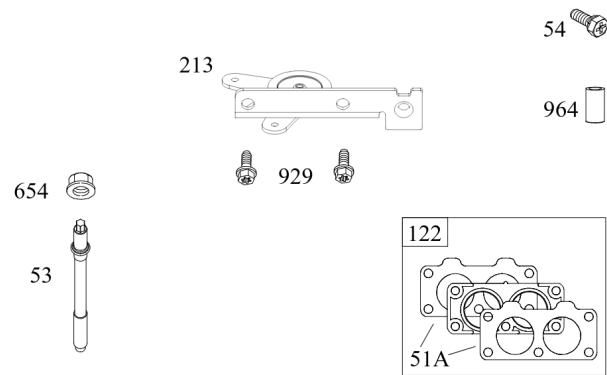
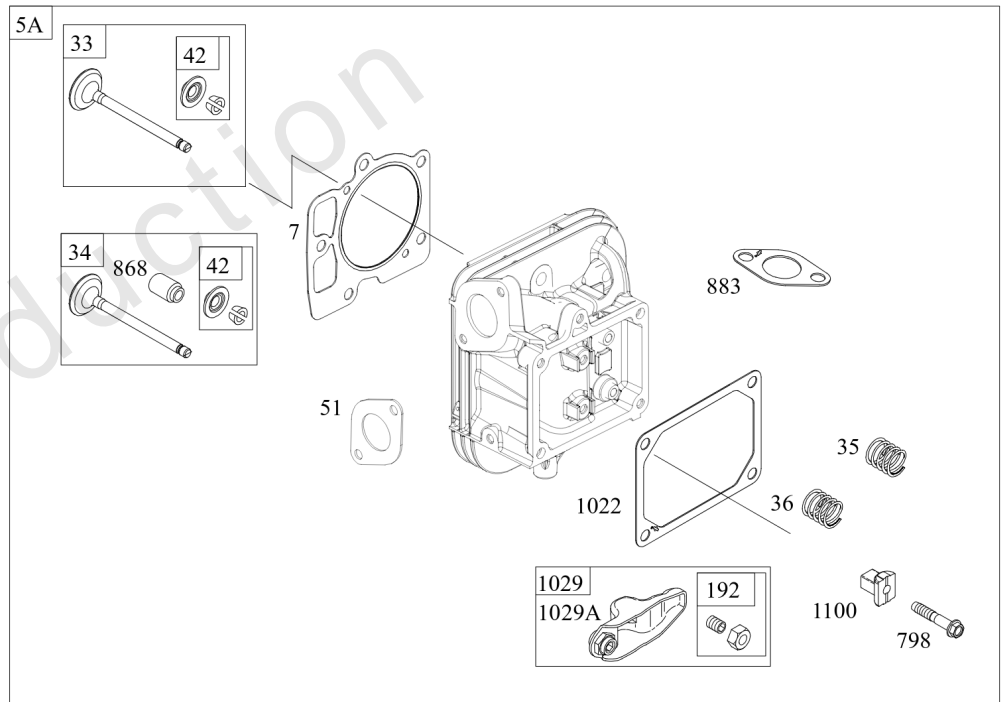
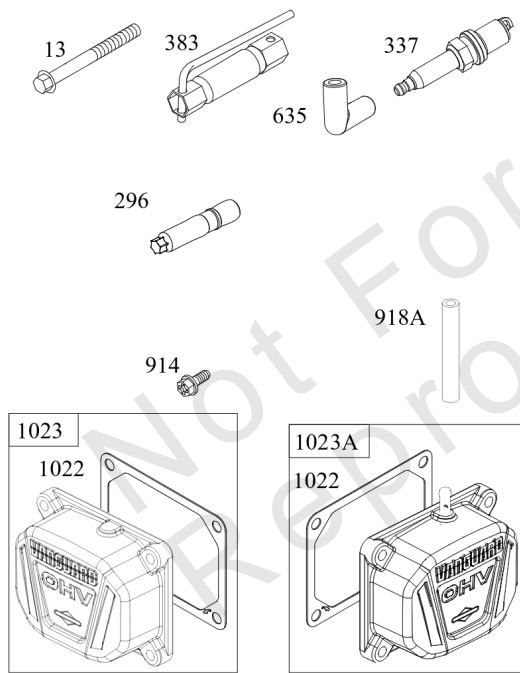
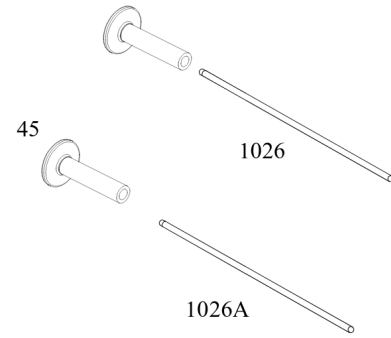
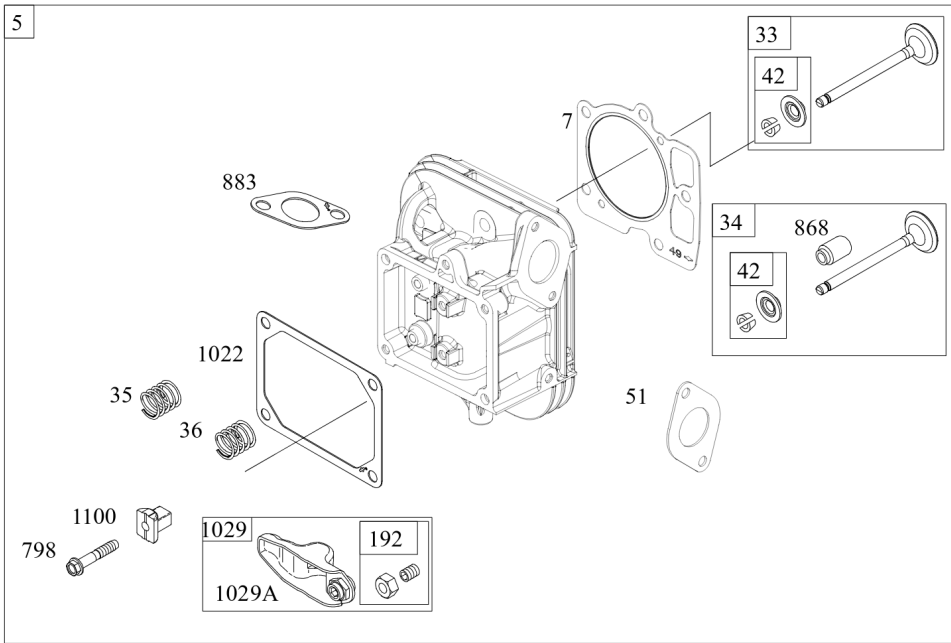


Cylinder Head, Rocker Arm Cover, Intake Manifold

REF NO	PART NO	QTY	DESCRIPTION
5	593653		HEAD, Cylinder -(Cylinder 1)
5A	593654		HEAD, Cylinder -(Cylinder 2)
7	593485		GASKET, Cylinder Head
13	592244		SCREW -(Cylinder Head)
33	593632		VALVE, Exhaust
34	793556		VALVE, Intake
35	694865		SPRING, Valve -(Intake)
36	694865		SPRING, Valve -(Exhaust)
42	499586		KEEPER, Valve
45	690977		TAPPET, Valve
50	593655		MANIFOLD, Intake
51	690949		GASKET, Intake
51A	594427		GASKET, Intake
53	690951		STUD -(Carburetor)
54	699816		SCREW -(Intake Manifold)
122	593425		SPACER, Carburetor
163	691001		GASKET, Air Cleaner
192	690083		ADJUSTER, Rocker Arm
213	691021		BRACKET, Choke Control
296	591756		STUD -(Muffler)
337	792015		PLUG, Spark
383	19576S		WRENCH, Spark Plug
635	692076		BOOT, Spark Plug
654	690958		NUT -(Carburetor)
798	697890		SCREW -(Rocker Arm)
868	690968		SEAL, Valve
883	690970		GASKET, Exhaust
914	593637		SCREW -(Rocker Cover)
918A	593641		HOSE, Vacuum -(2.9" Long)
929	691003		SCREW -(Choke Control Bracket)
961	691108		SCREW -(Air Cleaner Bracket)
964	799159		CAP, Connector
1022	690971		GASKET, Rocker Cover
1023	593639		COVER, Rocker -(Cylinder #1)
1023A	593659		COVER, Rocker -(Cylinder 2)
1026	690981		ROD, Push -(Steel)
1026A	690982		ROD, Push -(Aluminum)
1029	690972		ARM, Rocker

Cylinder Head, Rocker Arm Cover, Intake Manifold

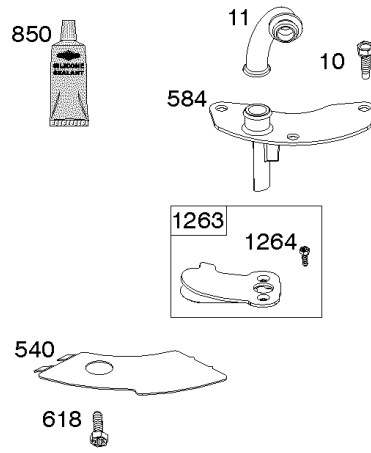
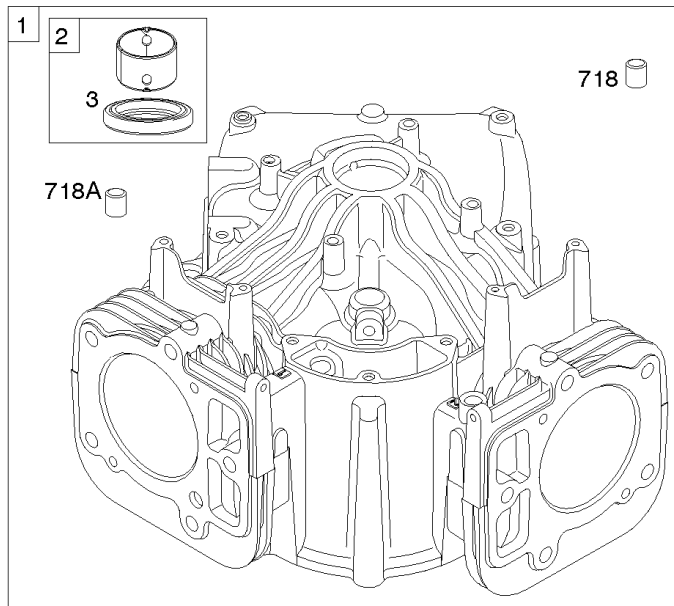
Mfg. No: 49R977-0001-G1



Cylinder Head, Rocker Arm Cover, Intake Manifold

REF NO	PART NO	QTY	DESCRIPTION
1029A	807323		ARM, Rocker
1100	791959		PIVOT, Rocker Arm

Not For Reproduction



1319 WARNING LABEL

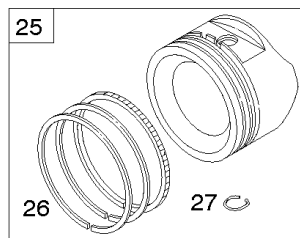
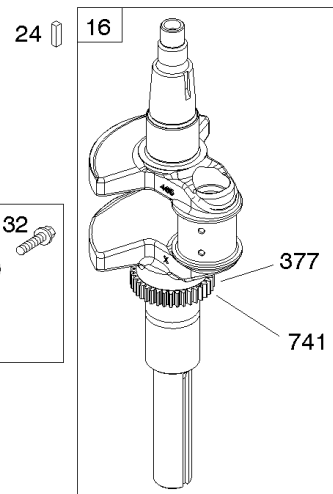
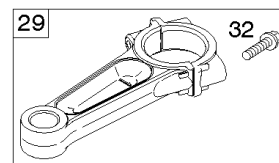
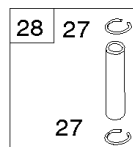
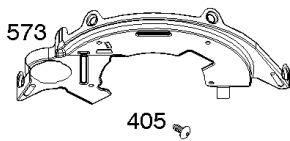
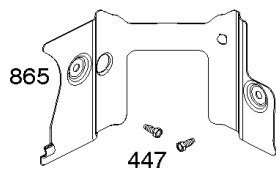
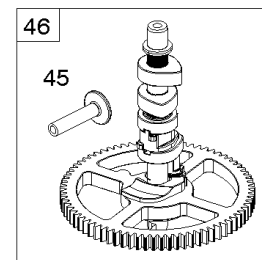
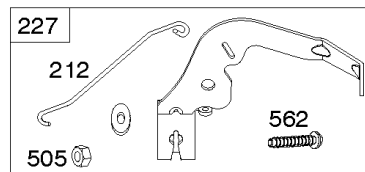
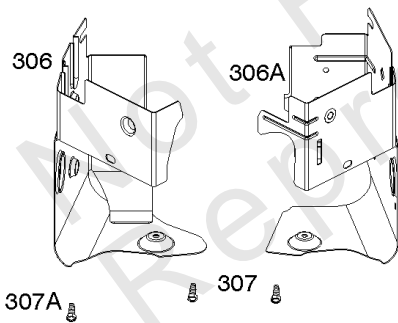
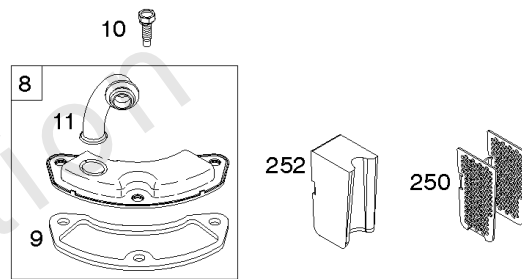
WARNING
Read and follow Operating Instructions before starting engine. Operate in accordance with engine to avoid at least 2 strokes before refueling. Engines will not start. Do not use fuel in enclosed area. Higher area temperatures may exceed 180°F. Do not touch hot parts.

REQUIRED when replacing parts with warning labels affixed.

1319A WARNING LABEL

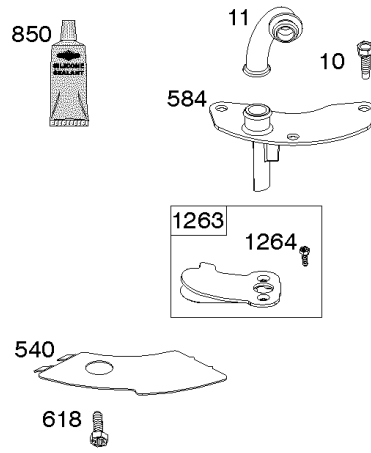
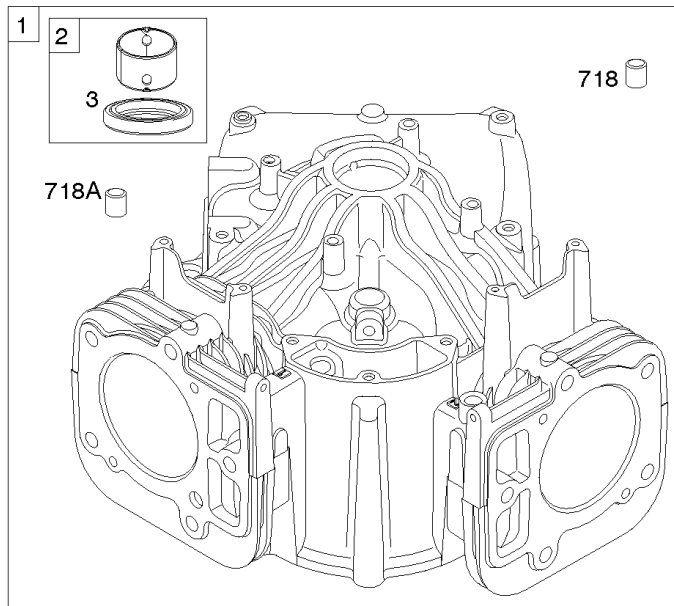
REQUIRED when replacing parts with warning labels affixed.

1036 EMISSIONS LABEL



Cylinder, Crankshaft, Camshaft, Air Guides

REF NO	PART NO	QTY	DESCRIPTION
1	593645		CYLINDER ASSEMBLY -(-Used Before Code Date 15071600)
1	594938		CYLINDER ASSEMBLY -(-Used After Code Date 15071500)
2	593660		KIT, Bushing/Seal -(Magneto Side)
3	593643		SEAL, Oil -(Magneto Side)
8	792185		BREATHER ASSEMBLY -(-Used Before Code Date 15112300)
9	690937		GASKET, Breather -(-Used Before Code Date 15112300)
10	691108		SCREW -(Breather Assembly)
11	594163		TUBE, Breather -(-Used After Code Date 15112200)
11	792184		TUBE-BREATHER -(-Used Before Code Date 15112300)
16	593609		CRANKSHAFT
24	796335		KEY, Flywheel
25	593646		PISTON ASSEMBLY -(Standard)
25	593648		PISTON ASSEMBLY -(.020 Oversize)
26	593647		SET, Ring -(Standard)
26	593649		SET, Ring -(.020 Oversize)
27	690975		LOCK, Piston Pin
28	593650		PIN, Piston
29	593651		ROD, Connecting
32	690976		SCREW -(Connecting Rod)
45	690977		TAPPET, Valve
46	593608		CAMSHAFT
212	695238		LINK, Throttle
227	798856		LEVER, Governor Control
250	690957		RETAINER, Breather -(-Used Before Code Date 15112300)
252	794389		COLLECTOR-OIL -(-Used Before Code Date 15112300)
306	796852		SHIELD-CYLINDER -(Cylinder #1)
306A	591666		SHIELD-CYLINDER -(Cylinder #2)
307	691003		SCREW -(Cylinder Shield)
307A	691108		SCREW -(Cylinder Shield)
377	690979		KEY, Woodruff
405	594937		SCREW -(Back Plate) (-Used After Code Date 15071500)



1319 WARNING LABEL

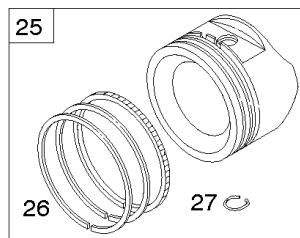
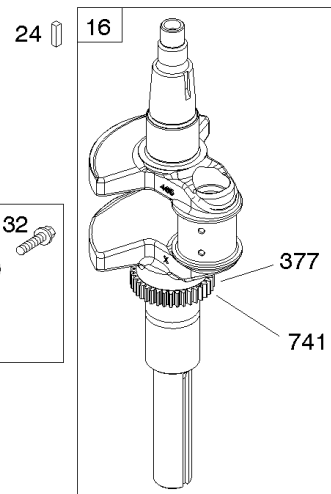
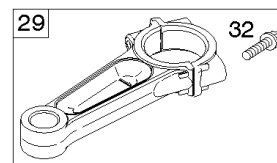
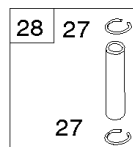
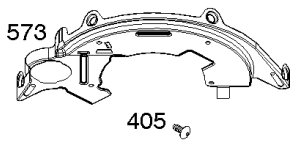
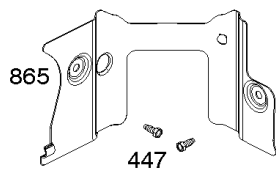
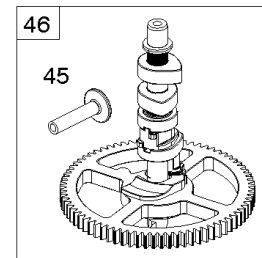
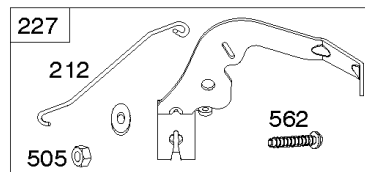
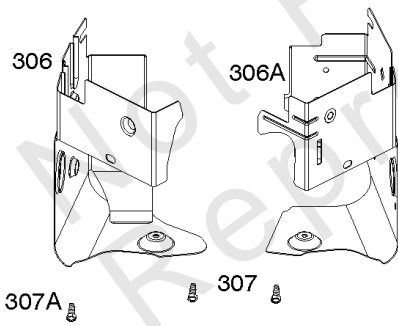
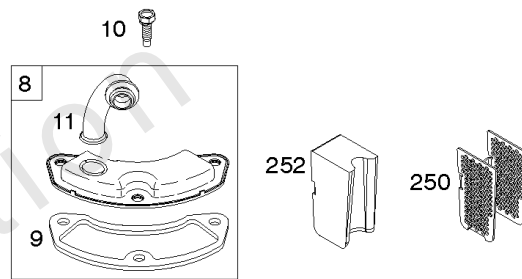
WARNING
Read and follow Operating Instructions before starting engine.
Exhaust is toxic. Open engine to cool at least 2 minutes before refueling.
Engine will not start. Insulate. Do not touch any moving parts.
Hazardous temperatures may exceed 180°F. Do not touch hot parts.

REQUIRED when replacing parts with warning labels affixed.

1319A WARNING LABEL

REQUIRED when replacing parts with warning labels affixed.

1036 EMISSIONS LABEL

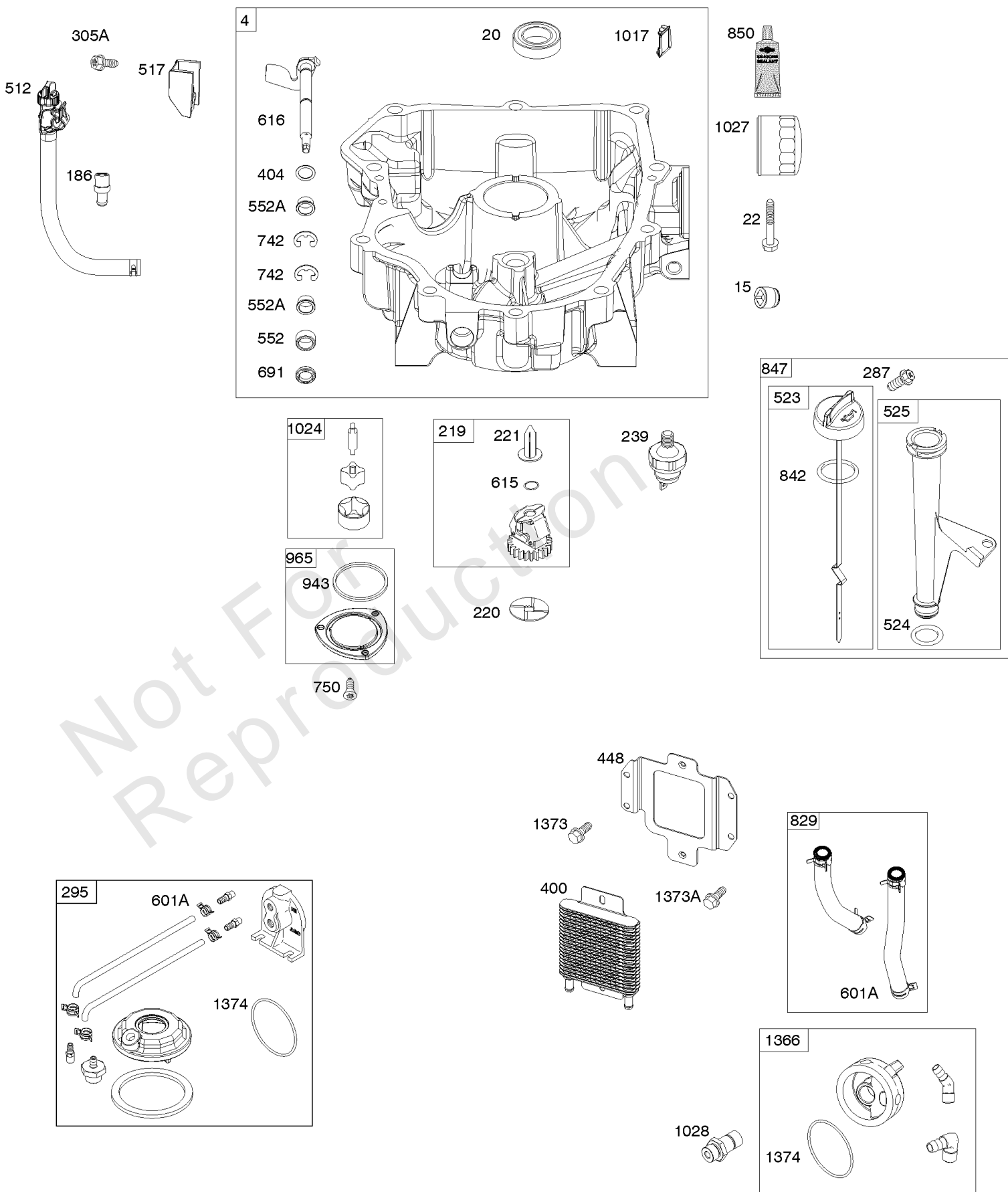


Cylinder, Crankshaft, Camshaft, Air Guides

REF NO	PART NO	QTY	DESCRIPTION
405	697820		SCREW -(Back Plate) (-Used Before Code Date 15071600)
447	691003		SCREW -(Air Guide Cover)
505	691029		NUT -(Governor Control Lever)
540	594325		PLATE, Baffle -(-Used After Code Date 15071500)
562	690311		BOLT -(Governor Control Lever)
573	594903		PLATE, Back -(-Used After Code Date 15071500)
573	593607		PLATE, Back -(-Used Before Code Date 15071600)
584	594164		COVER, Breather Passage -(-Used After Code Date 15071500)
618	594326		SCREW -(Baffle Plate)
718	690959		PIN, Locating
718A	594988		PIN, Locating
741	690980		GEAR, Timing
850	100106		SEALANT, Liquid
865	591667		COVER, Air Guide -(Valley)
1036	-----		Label-Emissions -(Available From A Briggs & Stratton Authorized Dealer)
1263	594166		REED, Breather -(-Used After Code Date 15071500)
1264	594165		SCREW -(Breather Reed)
1319	794467		LABEL, Warning
1319A	797669		LABEL, Warning

Engine Sump, Oil Cooler, Dipstick/Tube Assembly

Mfg. No: 49R977-0001-G1

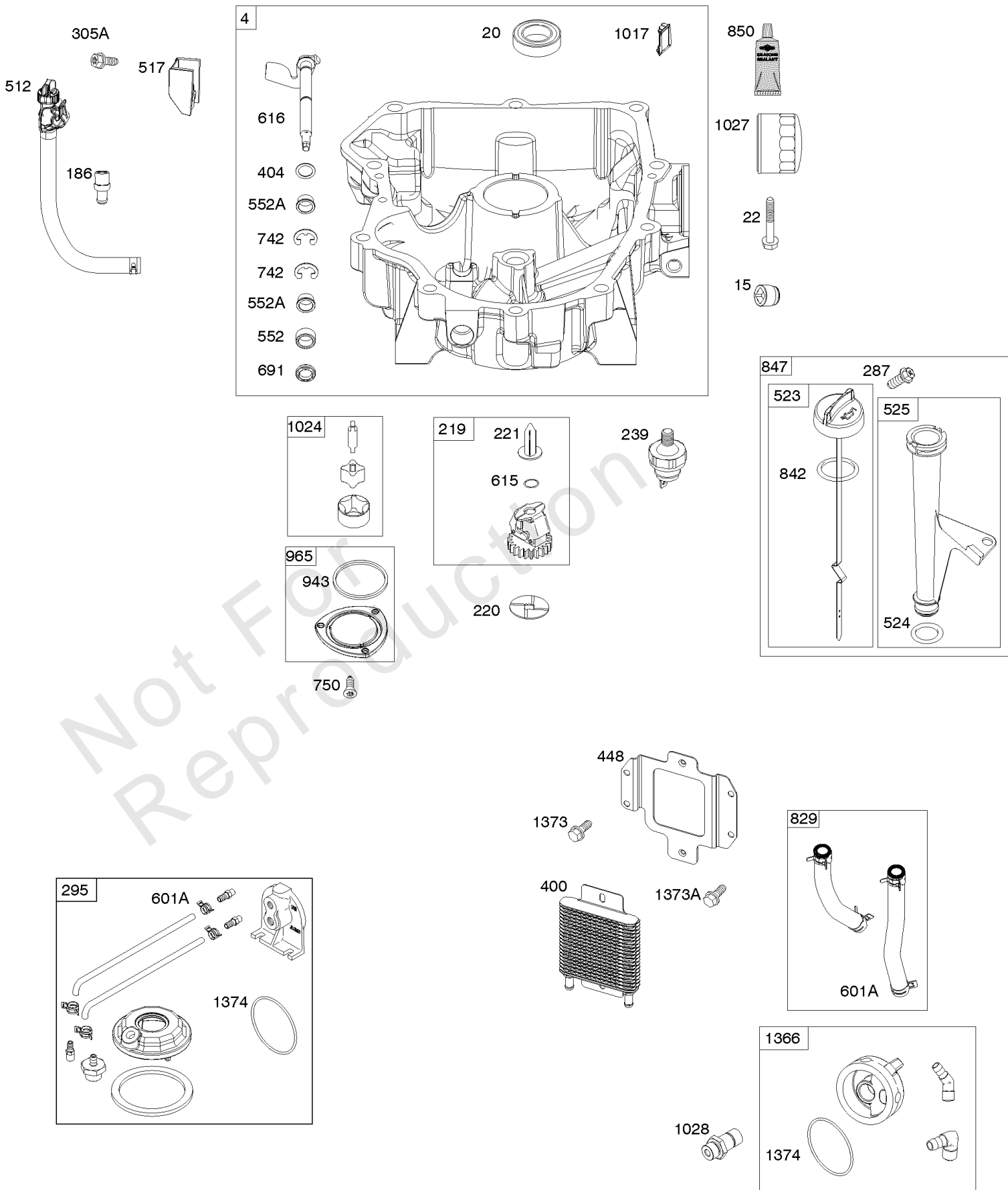


Engine Sump, Oil Cooler, Dipstick/Tube Assembly

REF NO	PART NO	QTY	DESCRIPTION
4	593652		SUMP, Engine
15	690946		PLUG, Oil Drain
20	593644		SEAL, Oil -(PTO Side)
22	694966		SCREW -(Crankcase Cover/Sump)
186	796532		CONNECTOR, Hose -(Oil Drain Hose)
219	793338		GEAR, Governor
220	799772		WASHER -(Governor Gear)
221	841026		CUP, Governor
239	792028		SWITCH, Oil Pressure
287	697820		SCREW -(Dipstick Tube)
295	594271		ADAPTER, Remote Oil Filter
305A	593634		SCREW -(Blower Housing) (Oil Drain Retainer)
400	796862		COOLER, Oil
404	690442		WASHER -(Governor Crank)
448	593631		BRACKET, Oil Cooler
512	593635		HOSE, Oil Drain
517	593633		RETAINER, Oil Drain
523	594528		DIPSTICK
524	691032		SEAL, O-Ring
525	691037		TUBE, Dipstick
552	796638		BUSHING, Governor Crank
552A	690553		BUSHING, Governor Crank
601A	841597		CLAMP, Hose -(Oil Cooler Hose)
615	698290		RETAINER, Governor Shaft
616	691045		CRANK, Governor
691	790574		SEAL, Governor Shaft
742	690328		RETAINER, E Ring
750	796208		SCREW -(Oil Pump Cover)
829	799104		HOSE, Oil Cooler -(Oil Cooler Hose)
842	691031		SEAL, O-Ring -(Dipstick Tube)
847	594609		DIPSTICK/TUBE ASSEMBLY
850	100106		SEALANT, Liquid
943	796222		SEAL, O-Ring -(Oil Pump Cover)
965	796221		COVER, Oil Pump
1017	796214		SCREEN, Oil Pump
1024	796220		PUMP, Oil
1027	696854		FILTER, Oil
1028	796864		ADAPTER, Oil Filter
1366	799131		DIVERTER, Oil Cooler
1373	695629		SCREW -(Oil Cooler Bracket)
1373A	799105		SCREW -(Oil Cooler Bracket)

Engine Sump, Oil Cooler, Dipstick/Tube Assembly

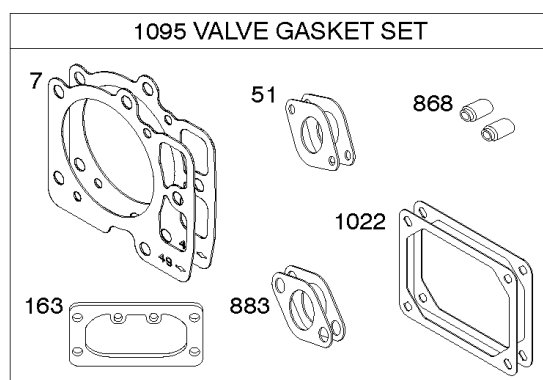
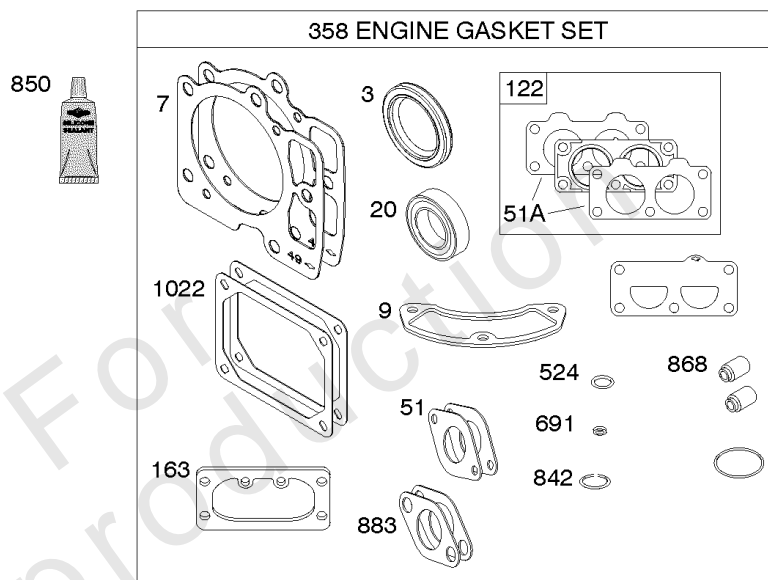
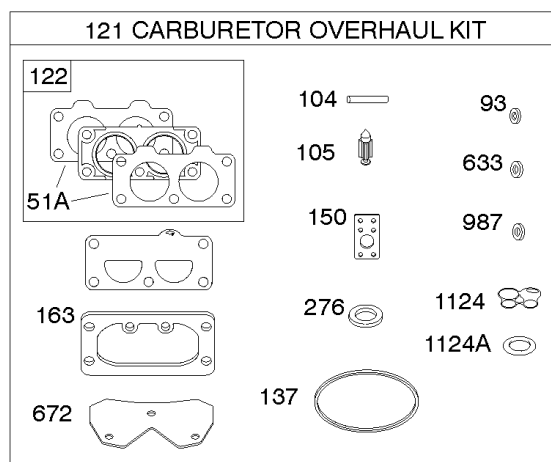
Mfg. No: 49R977-0001-G1



Engine Sump, Oil Cooler, Dipstick/Tube Assembly

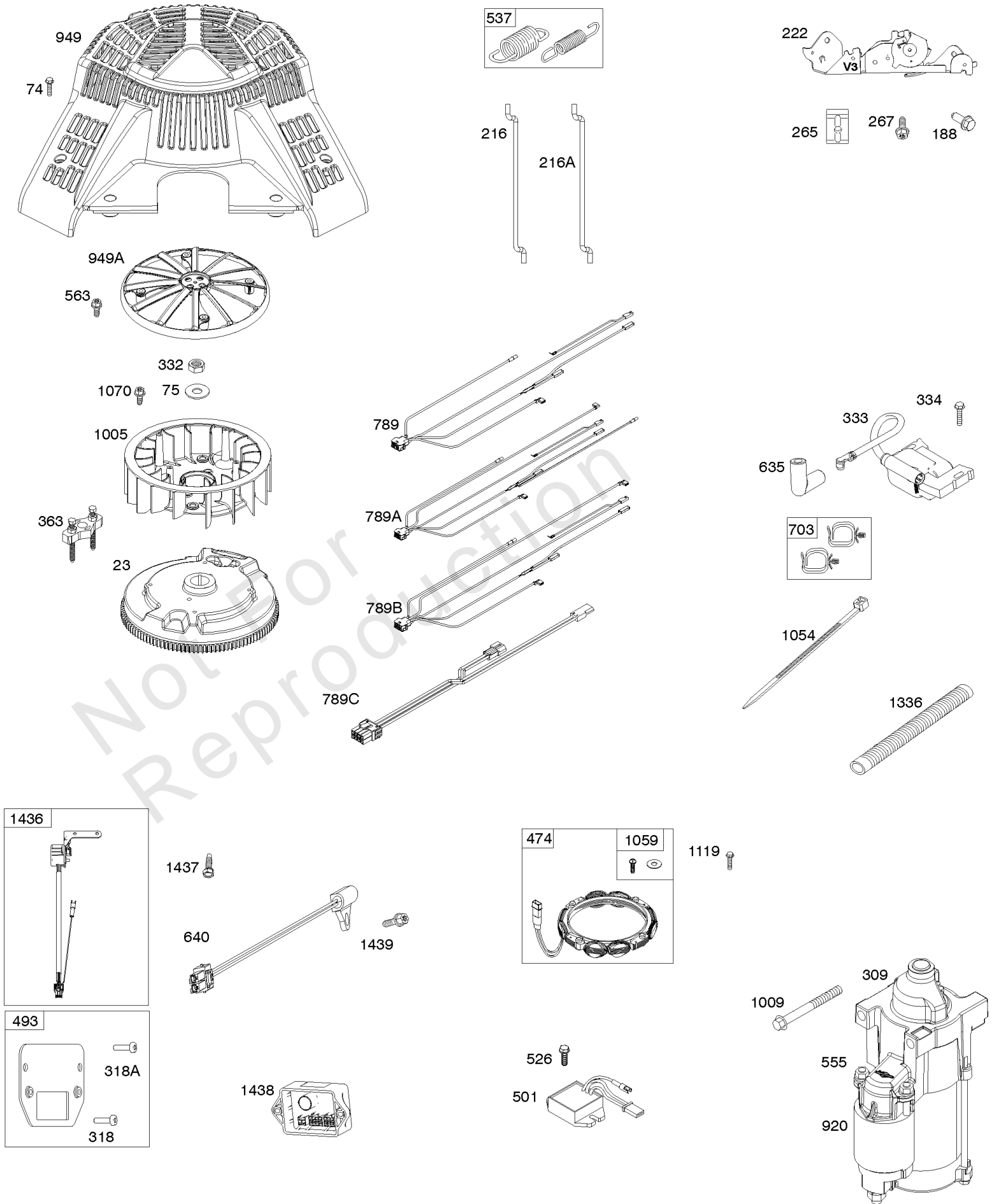
REF NO	PART NO	QTY	DESCRIPTION
1374	796863		SEAL, O-Ring -(Oil Cooler Diverter)

Not For Reproduction



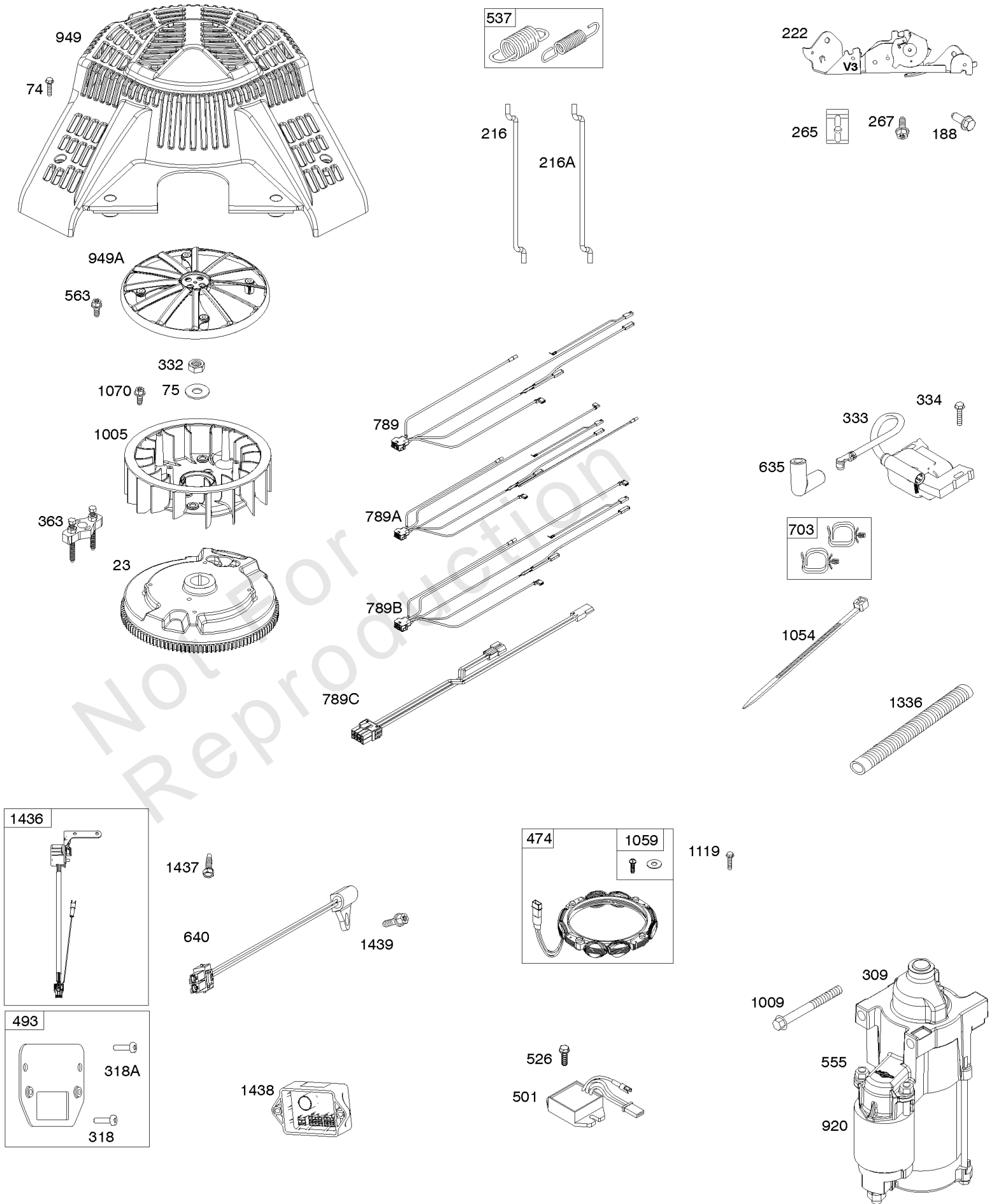
Engine/Valve Gasket Set, Carburetor Overhaul Kit

REF NO	PART NO	QTY	DESCRIPTION
3	593643		SEAL, Oil -(Magneto Side)
7	593485		GASKET, Cylinder Head
9	690937		GASKET, Breather -Used Before Code Date 15112300
20	593644		SEAL, Oil -(PTO Side)
51	690949		GASKET, Intake
51A	594427		GASKET, Intake
93	845864		BUSHING, Throttle Shaft
104	694918		PIN, Float Hinge
105	797410		VALVE, Float Needle
121	799132		KIT, Carburetor Overhaul
122	593425		SPACER, Carburetor
137	690994		GASKET, Float Bowl
150	841649		GASKET, Nozzle
163	691001		GASKET, Air Cleaner
276	695410		WASHER, Sealing
358	593676		GASKET SET, Engine
524	691032		SEAL, O-Ring
633	690722		SEAL, Choke/Throttle Shaft
672	690234		GASKET, Carburetor Plate
691	790574		SEAL, Governor Shaft
842	691031		SEAL, O-Ring -(Dipstick Tube)
850	100106		SEALANT, Liquid
868	690968		SEAL, Valve
883	690970		GASKET, Exhaust
987	808183		SEAL, Choke/Throttle Shaft
1022	690971		GASKET, Rocker Cover
1095	593492		GASKET SET, Valve
1124	690988		SEAL, O-Ring -(Fuel Transfer Tube)
1124A	841653		SEAL, O-Ring -(Fuel Transfer Tube)



Flywheel, Controls, Wire Harness, Alternator, Starter

REF NO	PART NO	QTY	DESCRIPTION
23	593610		FLYWHEEL
74	698425		SCREW -(Rotating Screen)
75	691056		WASHER -(Flywheel)
188	691108		SCREW -(Control Bracket)
216	691022		LINK, Choke -(Manual Choke)
216A	796879		LINK, Choke
222	798916		BRACKET, Control
265	691024		CLAMP, Casing
267	792629		SCREW -(Casing Clamp)
309	593486		MOTOR, Starter
318	691127		SCREW -(Mounting Bracket)
318A	792629		SCREW -(Mounting Bracket) (Electronic Choke Module To Mounting Bracket)
332	691059		NUT -(Flywheel)
333	592846		ARMATURE, Magneto
334	691061		SCREW -(Magneto Armature)
363	19621		PULLER, Flywheel
474	592830		ALTERNATOR -(10-16 Amp Regulated)
493	797176		BRACKET, Mounting -(Electronic Choke Module)
501	593490		REGULATOR
526	691108		SCREW -(Regulator)
537	594918		KIT, Governor/Idle Spring
555	593489		SCREW -(Starter Solenoid)
563	799360		SCREW -(Debris Screen Guard)
635	692076		BOOT, Spark Plug
640	796913		WIRE ASSEMBLY -(Thermistor)
703	691010		CLIP
789	593611		HARNESS, Wiring
920	593488		SOLENOID, Starter
949	593636		GUARD, Debris Screen
949A	593206		GUARD, Debris Screen
1005	593640		FAN, Flywheel
1009	593487		SCREW -(Starter Motor)
1054	280275		TIE, Cable
1059	698516		KIT, Screw/Washer -(Alternator)
1070	593638		SCREW -(Flywheel Fan)
1119	691183		SCREW -(Alternator)
1336	841015		SHIELD, Wire Protective
1436	796918		MOTOR, Stepper/Bracket



Flywheel, Controls, Wire Harness, Alternator, Starter

REF NO	PART NO	QTY	DESCRIPTION
1437	699891		SCREW -(Stepper/Bracket Motor)
1438	796352S		MODULE, Electronic Choke
1439	794904		SCREW -(Thermistor Wire Assembly)

Not For Reproduction

Replacement Engine - Europe, Middle East & Africa

REF NO	PART NO	QTY	DESCRIPTION
	49R9770004G1CP0001		ENGINE PACKED SINGLE CARTON
	-----		Top No-Load Speed: 3600

Not For Reproduction

Replacement Engine - US & Canada

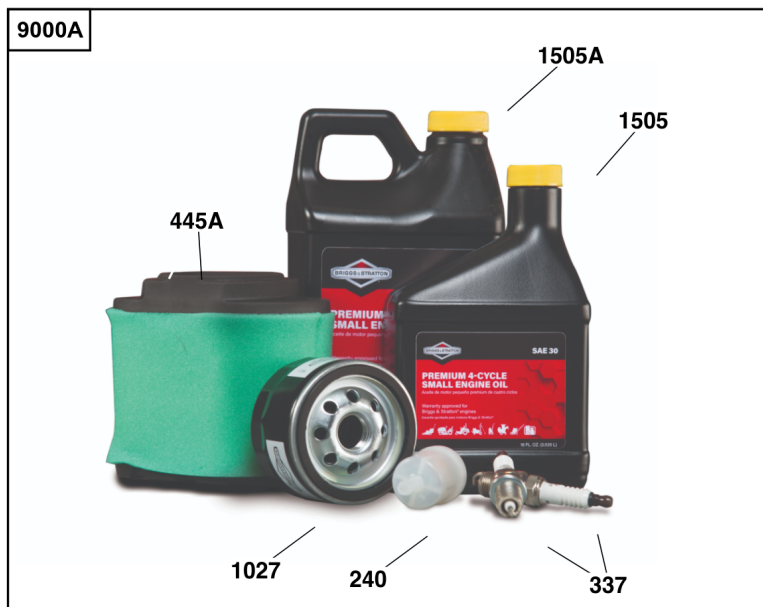
REF NO	PART NO	QTY	DESCRIPTION
	49R9770003	1	Replacement Engine
	835183	1	Replacement Short Block
	-----		Top No-Load Speed: 3600 -Trim: ALL
	-----		Idle Speed: 1750

Not For Reproduction



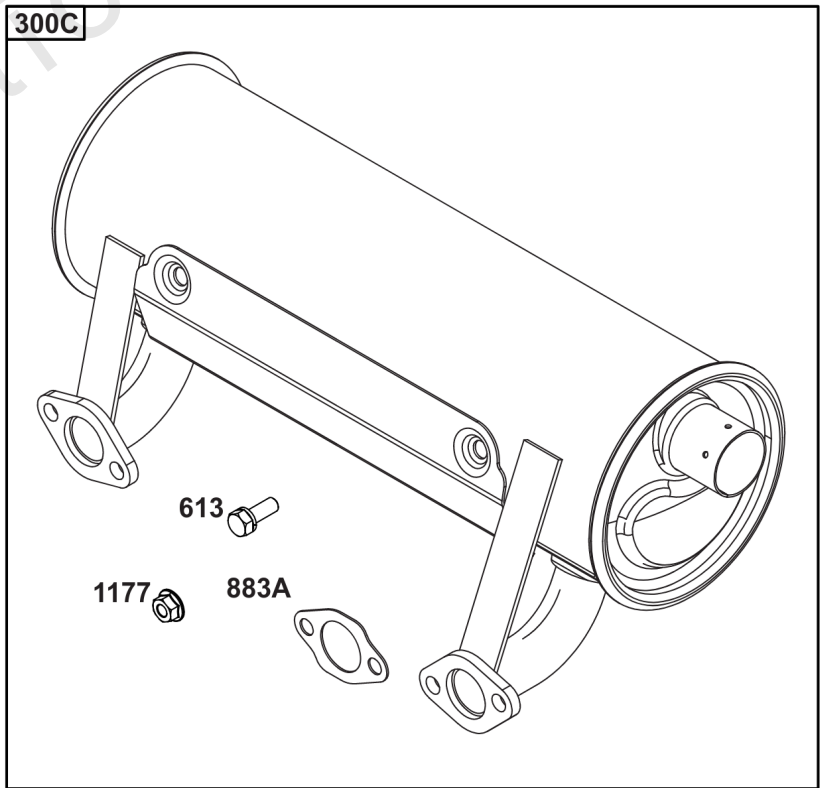
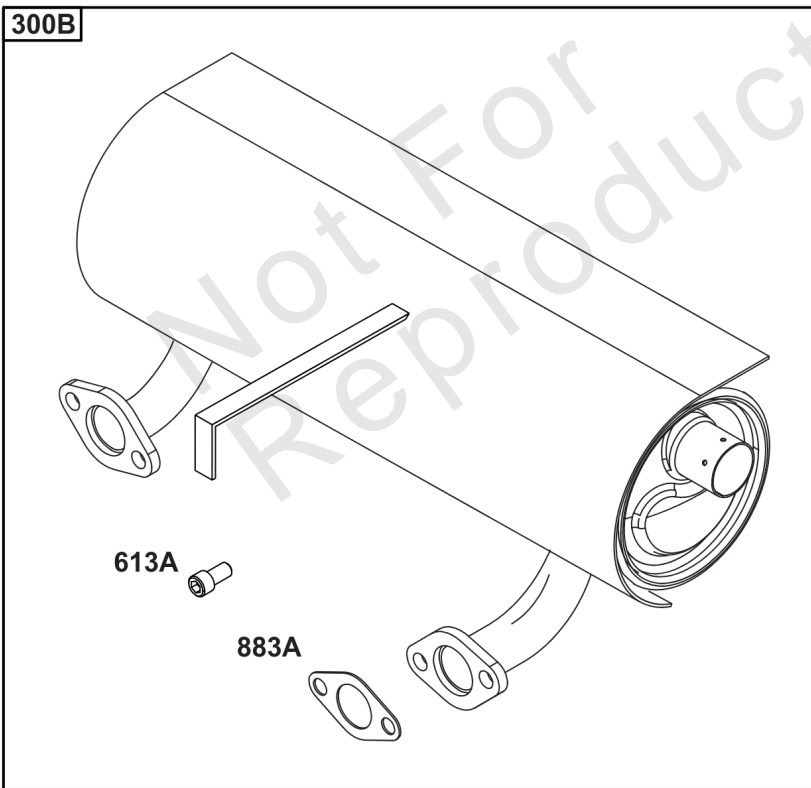
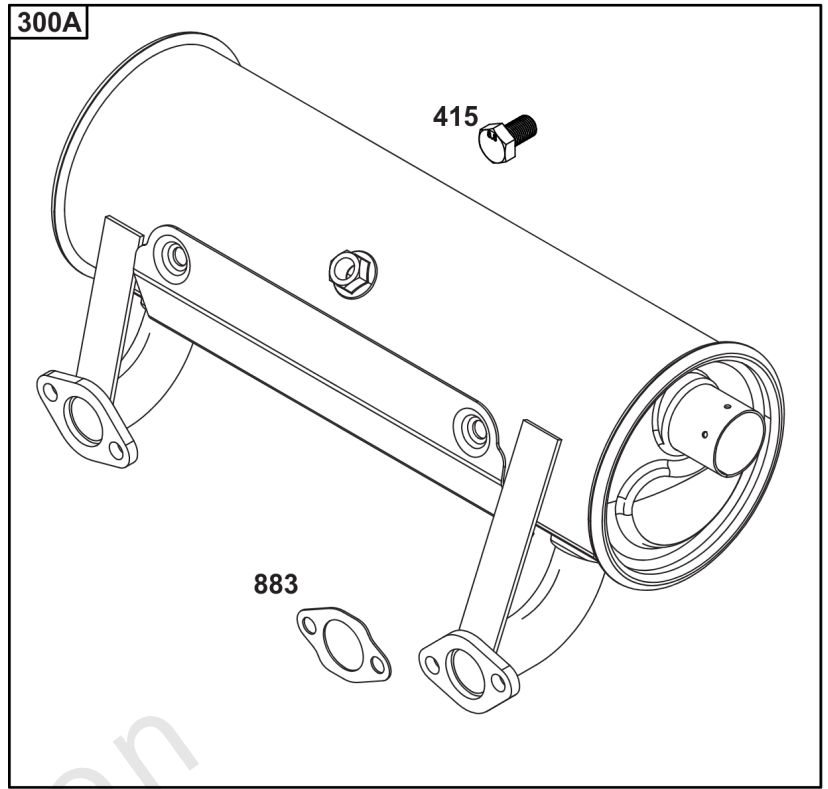
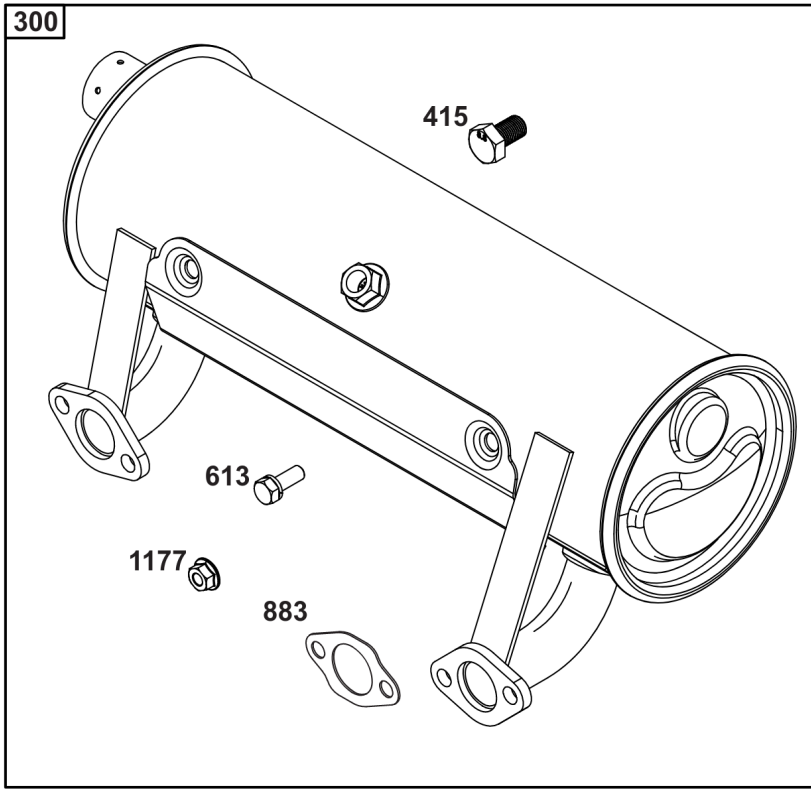
Model 40, 44 & 49 Engine Accessories Catalog

Not For
Reproduction



Maintenance Kits

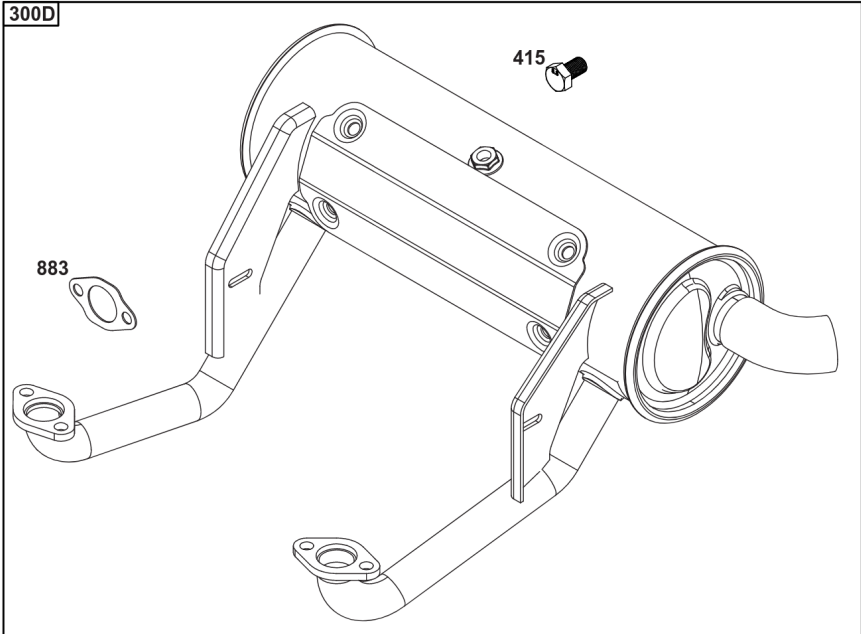
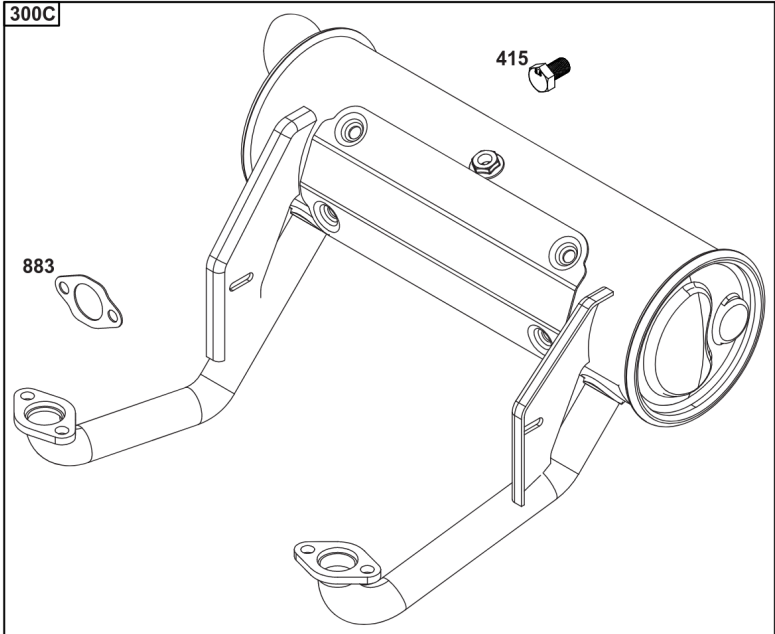
REF NO	PART NO	QTY	DESCRIPTION
9000	84002442		KIT, Maintenance -(Intek / EXi V-Twin Engines) (Do not use with Home Standby Generators.)
9000A	84002317		KIT, Maintenance -(Professional Series™ V-Twin Engines) (Do not use with Home Standby Generators.)
9000B	84002316		KIT, Maintenance -(Commercial Series V-Twin Engines) (Do not use with Home Standby Generators.)
9000C	84002318		KIT, Maintenance -(Oil Guard™ Engines) (Do not use with Home Standby Generators.)
9000D	84002315		KIT, Maintenance -(Non-Oil Guard™ Engines) (Do not use with Home Standby Generators.)
240	84001895	1	FILTER, Fuel -(40 Micron)
240A	845125	1	FILTER, Fuel -(20 Micron)
337	491055S	2	PLUG, Spark
445	594201	1	FILTER, A/C Cartridge
445A	792105	1	FILTER, A/C Cartridge
445B	798897	1	FILTER, A/C Cartridge
445C	841497	1	FILTER, A/C Cartridge
967	797704	1	FILTER, Pre Cleaner
1027	492932S	1	FILTER, Oil -(Standard)
1027A	696854	1	FILTER, Oil -(Premium)
1027B	842921	1	FILTER, Oil -(Vanguard®)
1027C	84007094	1	FILTER, OIL -(Oil Guard™)
1505	100005		OIL-4 CYCLE 30W 18OZ. -(18 oz. Bottle)
1505A	100028		OIL-4 CYCLE30W 48OZ -(48 oz. Bottle)
1505B	100170		OIL-5QT VANGUARD (CASE) -(5 qt. Bottle)
1505C	100169		OIL-1QT VANGUARD (CASE) -(1 qt. Bottle)



Engine Mounted Below Deck Mufflers

REF NO	PART NO	QTY	DESCRIPTION
300	594584	1	KIT-MUFFLER/GUARD -(Oil Filter Side Outlet) (Engine Supported) (O2 Sensor Port)
300A	593877	1	MUFFLER -(Starter Side Outlet) (Engine Supported) (O2 Sensor Port)
300B	594583	1	MUFFLER -(Starter Side Outlet) (Engine Supported) (No O2 Sensor Port)
300C	692120	1	MUFFLER -(Starter Side Outlet) (No O2 Sensor Port)
415	596859	1	PLUG -(O2 Sensor Port)
613	690341	4	SCREW -(Muffler)
613A	690363	4	SCREW -(Muffler)
883	594365	2	GASKET, Exhaust
883A	690970	2	GASKET, Exhaust
1177	690941	4	NUT -(Muffler)

Not For Reproduction



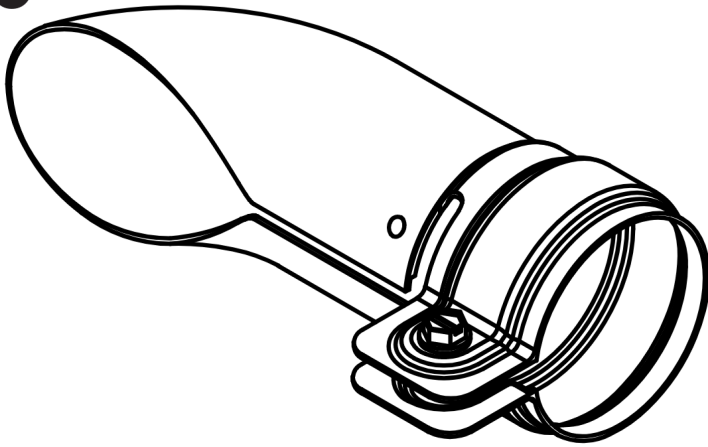
Not For
Reproduction

Engine Mounted Above Deck Mufflers

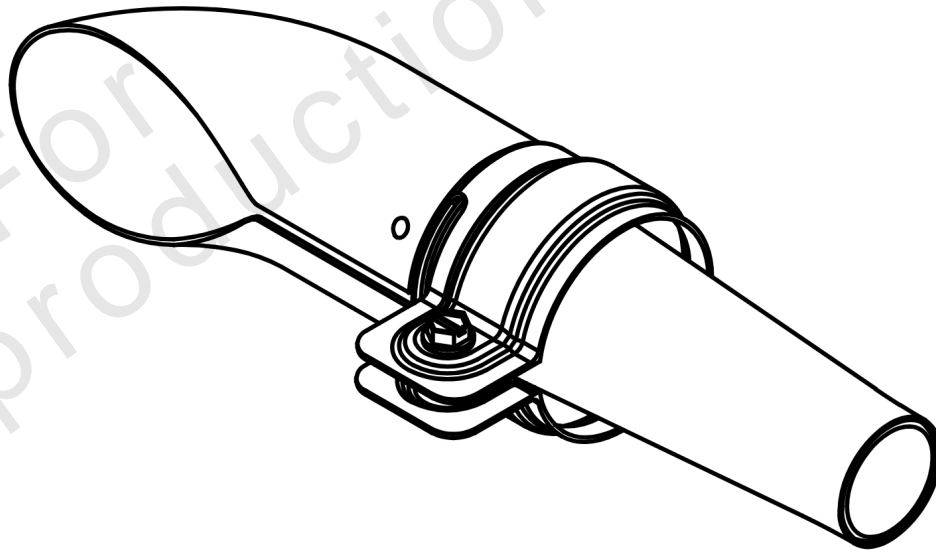
REF NO	PART NO	QTY	DESCRIPTION
300C	595138	1	MUFFLER -(Oil Filter Side Outlet) (Self-Supporting) (O2 Sensor Port)
300D	595139	1	MUFFLER -(Starter Side Outlet) (Self-Supporting) (O2 Sensor Port)
415	596859	1	PLUG -(O2 Sensor Port)
883	594365	2	GASKET, Exhaust

Not For Reproduction

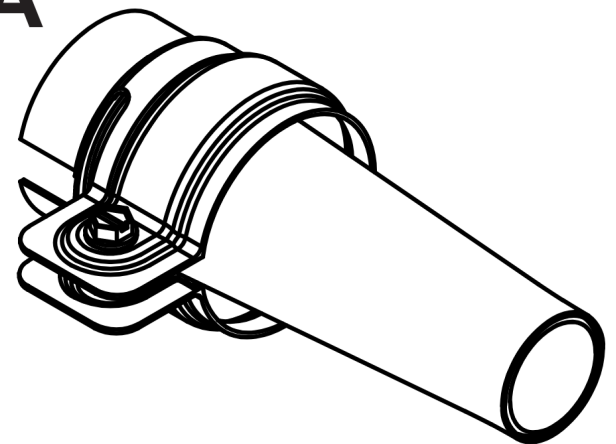
676



994



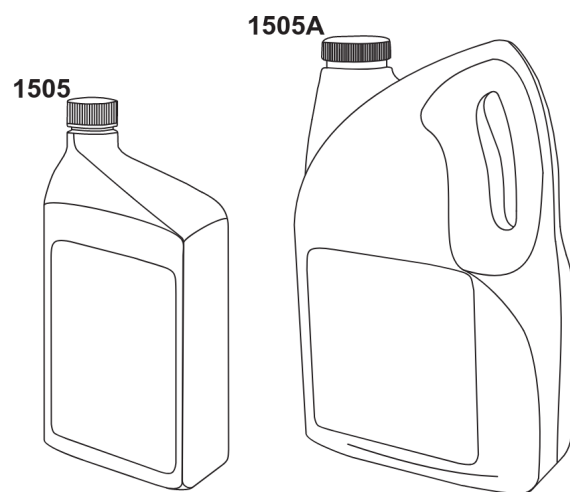
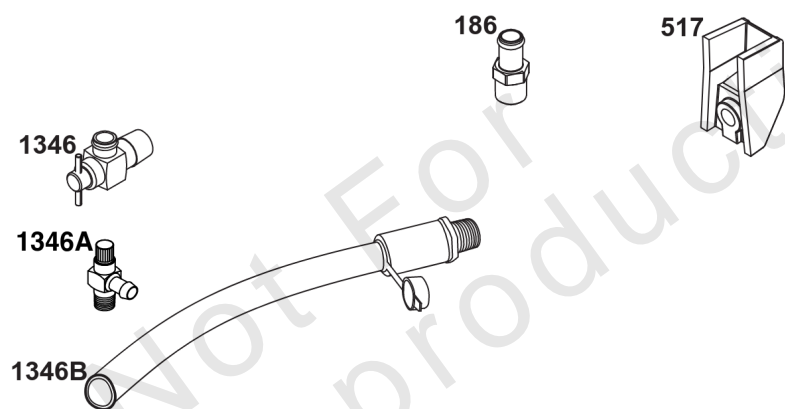
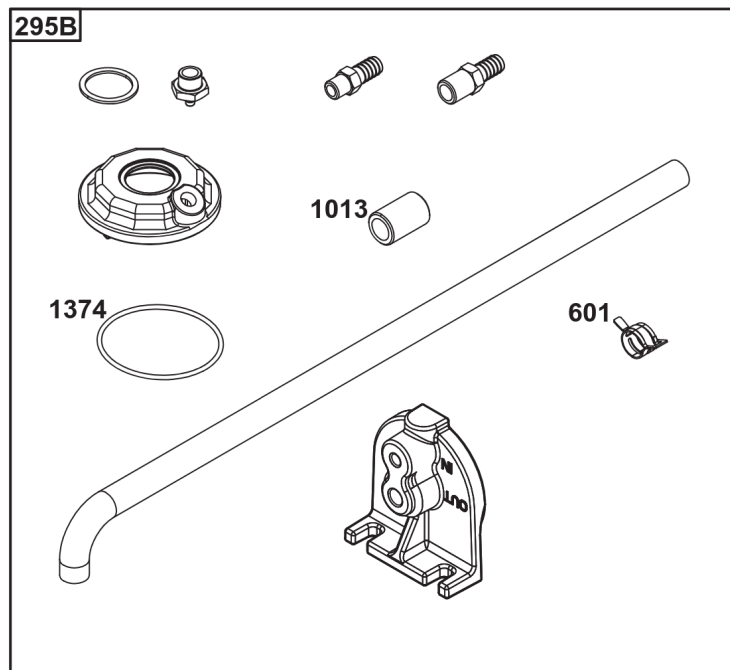
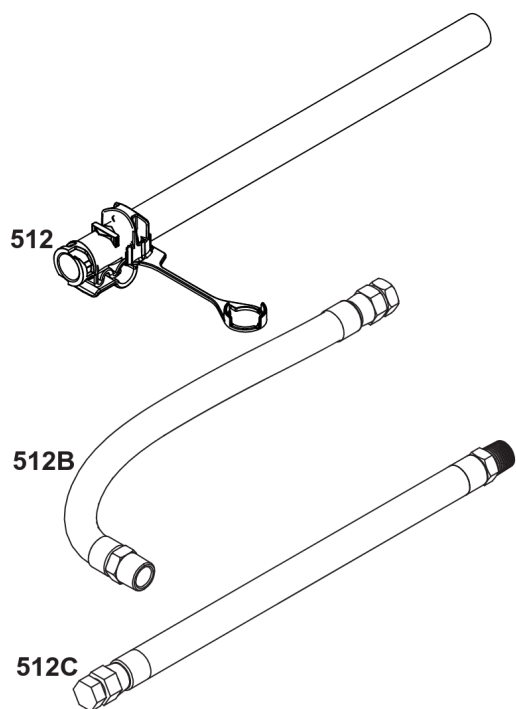
994A



Spark Arrester/Deflector

REF NO	PART NO	QTY	DESCRIPTION
676	593869	1	DEFLECTOR, Muffler -(For Below Deck Mufflers Only)
994	593885	1	ARRESTOR, Spark -(For Below Deck Mufflers Only)
994A	593868	1	ARRESTOR, Spark -(For Below Deck Mufflers Only)

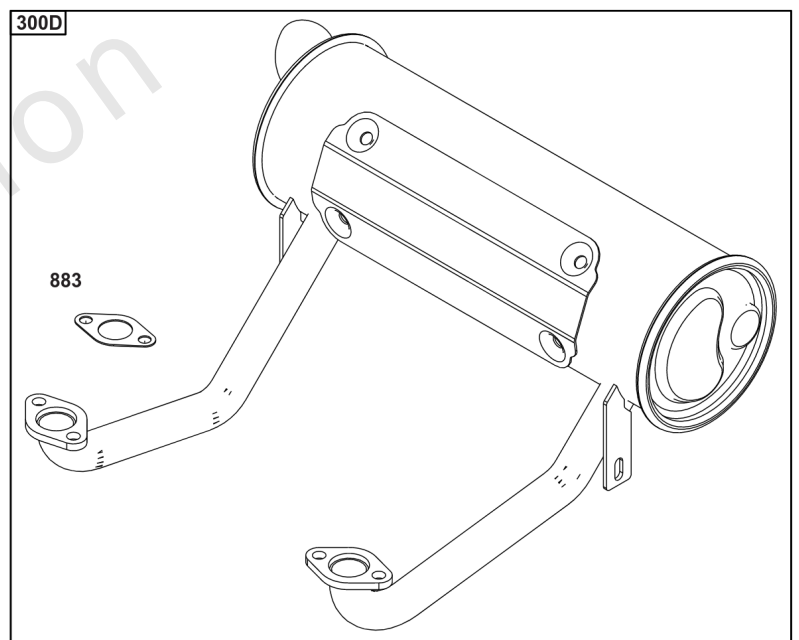
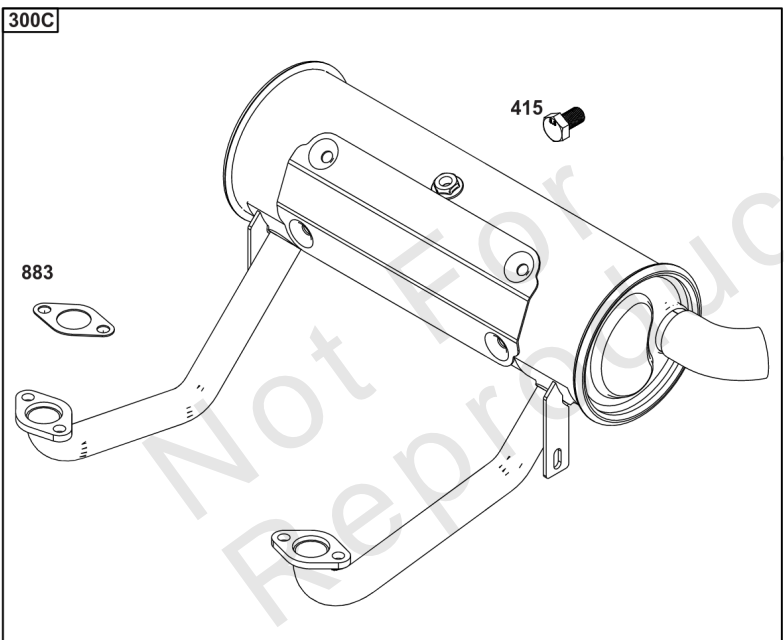
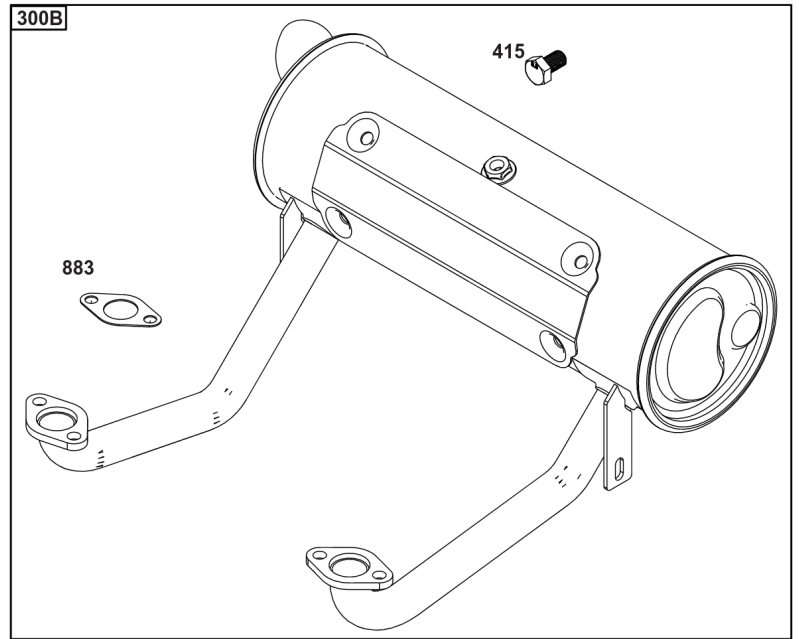
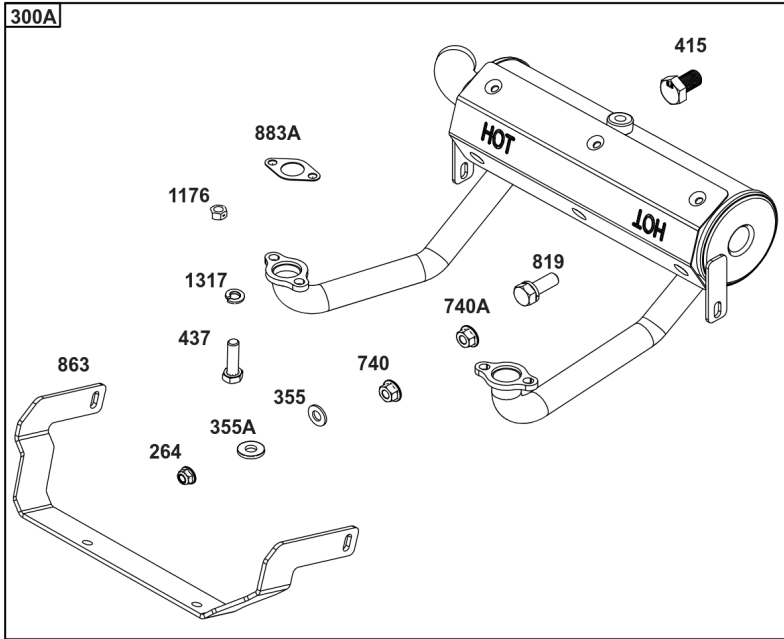
Not For Reproduction



Lubrication

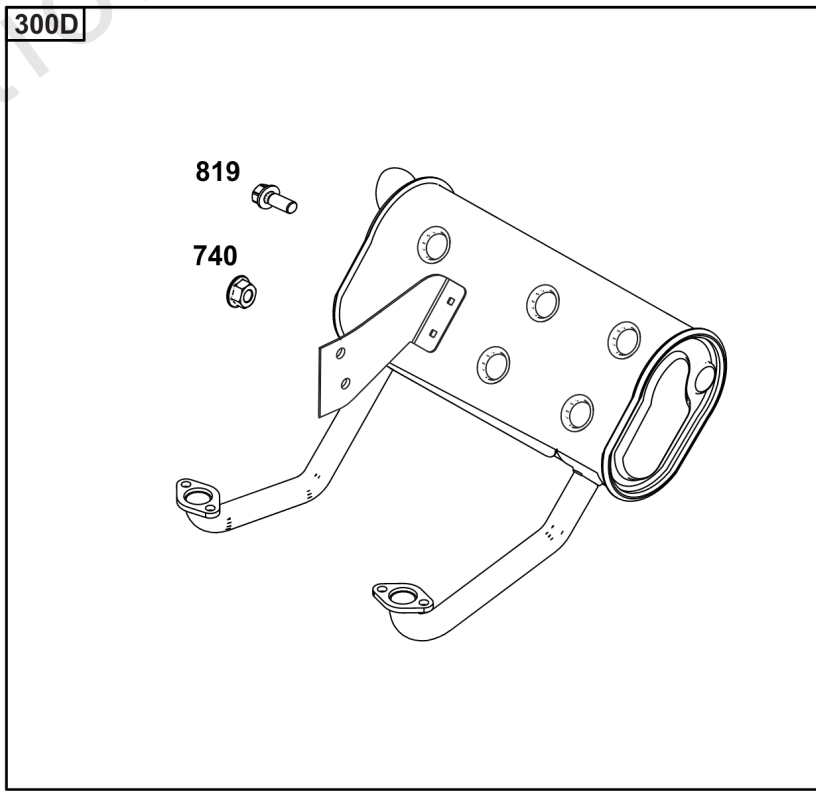
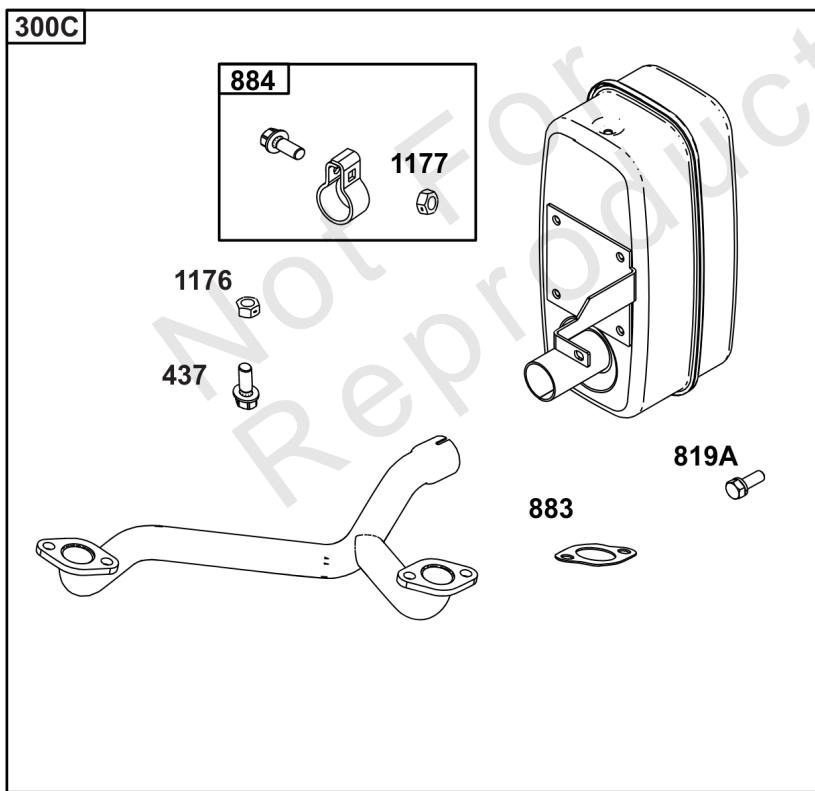
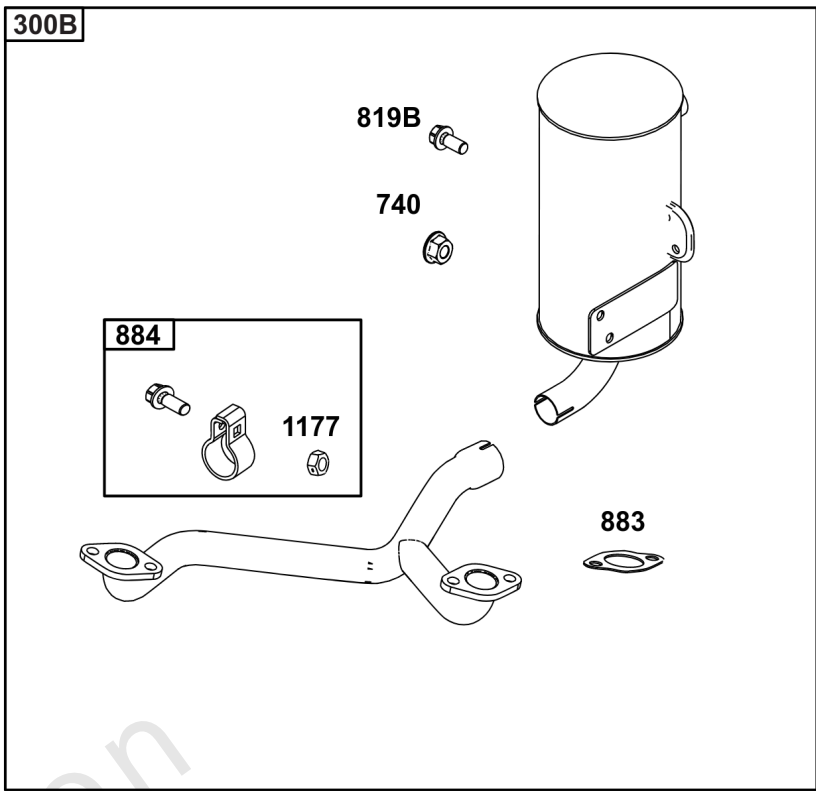
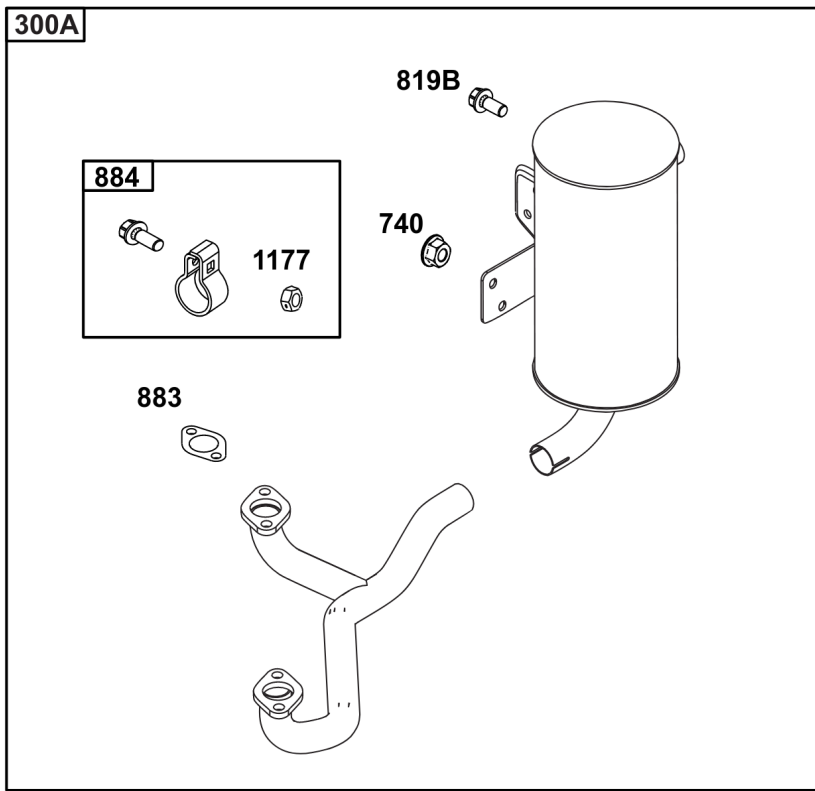
REF NO	PART NO	QTY	DESCRIPTION
186	796532	1	CONNECTOR, Hose -(Threaded Engine Block Connector for EZ-Oil Drain Hose) (Order hose separate)
239	690233	1	SWITCH, Oil Pressure -(2-4 PSI Normally-Closed Switch)
239A	491657S	1	SWITCH, Oil Pressure -(3-5 PSI Normally-Closed Switch)
239B	841281	1	SWITCH, Oil Pressure -(7-10 PSI Normally-Closed Switch)
239C	694115	1	SWITCH, Oil Pressure -(9-13 PSI Normally-Closed Switch)
239D	697049	1	SWITCH, Oil Pressure -(3-6 PSI Normally-Open Switch)
295B	594271	1	ADAPTER, Remote Oil Filter -(Remote Oil Filter Kit)
512	594200	1	HOSE, Oil Drain -(EZ-Oil Drain Hose, 10.5") (Order threaded engine block connector separate)
512	593635	1	HOSE, Oil Drain -(EZ-Oil Drain Hose, 13.75") (Order threaded engine block connector separate)
512B	1723165SM	1	HOSE, Oil Drain, 10-1/2" Long, 3/8-18 Fittings -(10.5")
512C	5048681SM	1	HOSE, OIL DRAIN -(12.5")
517	593633	1	RETAINER, Oil Drain
601	841597	4	CLAMP, Hose
1013	690954	1	NIPPLE, Oil Filter
1346	844802	1	VALVE, Oil Drain Shut Off
1346A	492031	1	VALVE, Oil Drain Shut Off
1346B	5401WEB	1	VALVE, Oil Drain Shut Off -(1/4 Turn Oil Drain Valve with Hose)
1374	796863	1	SEAL, O-Ring
1505	100169		OIL-1QT VANGUARD (CASE) -(1 qt. Bottle)
1505A	100170		OIL-5QT VANGUARD (CASE) -(5 qt. Bottle)

Implement Mounted Above Deck Mufflers



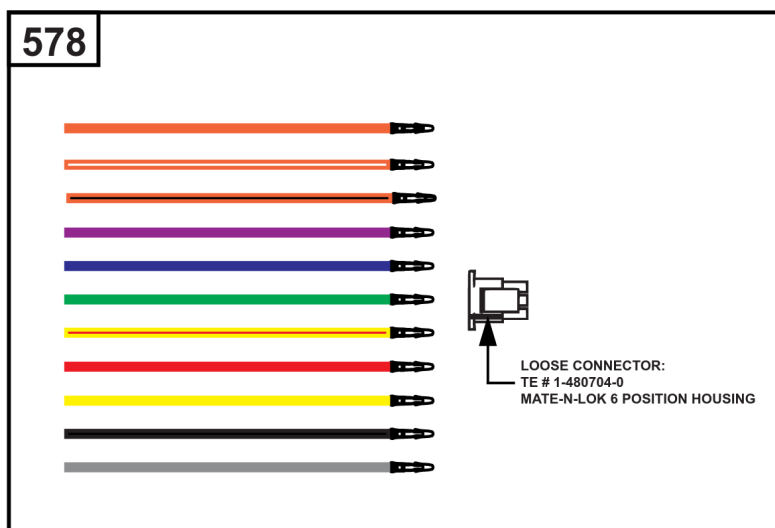
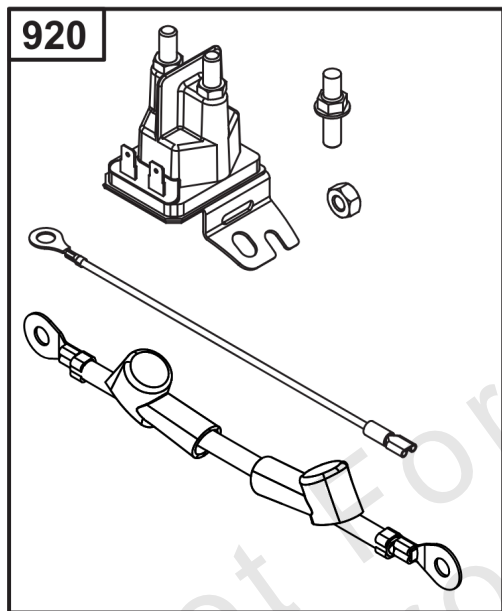
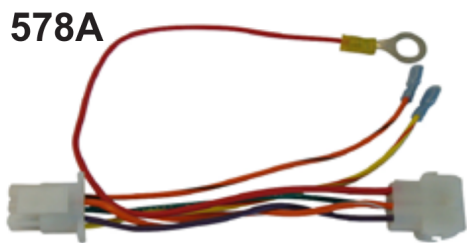
Implement Mounted Above Deck Mufflers

REF NO	PART NO	QTY	DESCRIPTION
300A	594585	1	MUFFLER -(Oil Filter Side Outlet) (Implement Supported) (O2 Sensor Port)
300B	595134	1	MUFFLER -(Oil Filter Side Outlet) (O2 Sensor Port)
300C	595135	1	MUFFLER -(Starter Side Outlet) (O2 Sensor Port)
300D	595136	1	MUFFLER -(Oil Filter Side Outlet)
264	703465	4	NUT, 5/16-18, GR5 -(Muffler Adapter)
355	5025292SM	4	WASHER, 5/16" GD.9 FL -(Muffler Bracket)
355A	5025155SM	2	WASHER, 5/16 -(Muffler Bracket)
415	596859	1	PLUG -(O2 Sensor Port)
437	703585	4	CAPSCREW, 5/16-18X1 -(Exhaust Manifold)
740	703164	2	NUT -(Muffler Bracket)
740A	703115	2	NUT -(Muffler Bracket)
819	690341	4	SCREW -(Muffler Bracket)
863	597480	1	BRACKET, Muffler
883	594365	2	GASKET, Exhaust
883A	690970	2	GASKET, Exhaust
1176	690941	4	NUT -(Exhaust Manifold)
1317	703116	4	LCKWSHR -(Exhaust Manifold)



Exhaust/Muffler Configurations

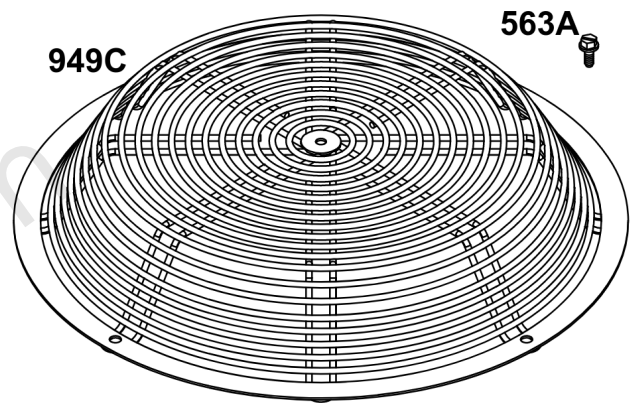
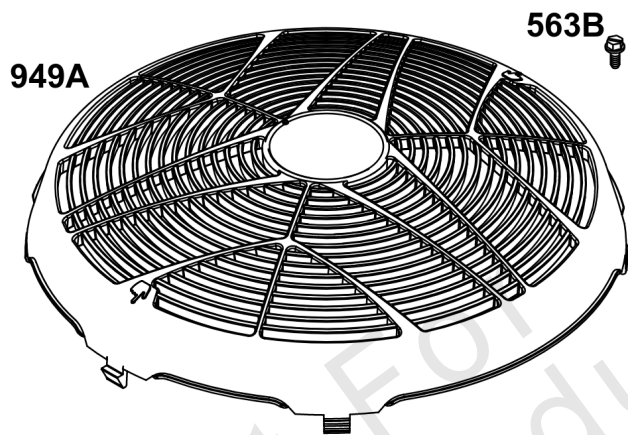
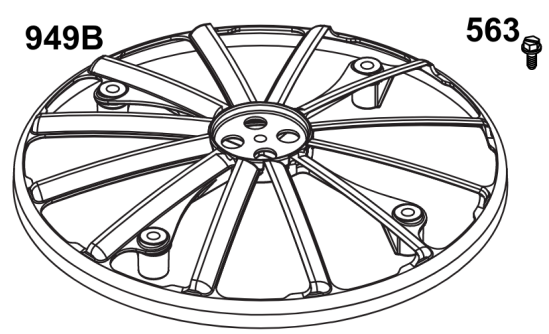
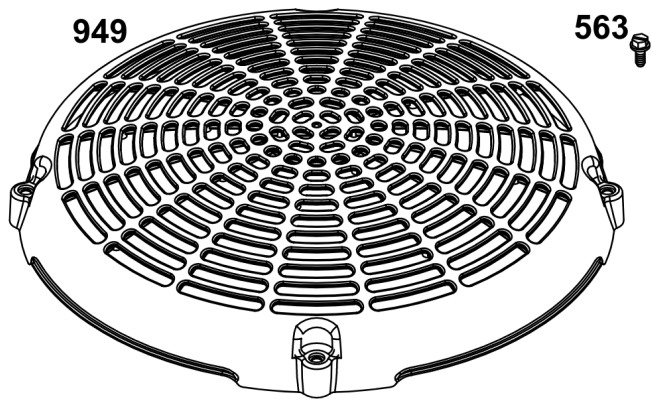
REF NO	PART NO	QTY	DESCRIPTION
300A	771127	1	MUFFLER -(Oil Filter Side Outlet)(Commercial & Professional Series)
300B	771128	1	MUFFLER -(Starter Side Outlet)(Commercial & Professional Series)
300C	595822	1	MUFFLER -(Starter Side Outlet)(Commercial & Professional Series)
300D	84003680	1	MUFFLER -(Oil Filter Side Outlet) (Commercial & Professional Series)(Vanguard 810 & 810 EFI) (Compatible with 593868 Spark Arrester, 593885 Spark Arrester with Deflector.) (Equipped with plug for blocking off O2 sensor port for non EFI engines.)
437	690341	4	SCREW -(Exhaust Manifold)
740	704067	2	NUT, HEX FLNG,5/16-18 -(Muffler Bracket)
819	592604	2	SCREW -(Muffler Bracket)
819A	695629	4	SCREW -(Muffler Bracket)
819B	692062	2	SCREW -(Muffler Bracket)
883	594365	2	GASKET, Exhaust
884	691956	1	CLAMP, Muffler
1176	690941	4	NUT -(Exhaust Manifold)
1177	793859	1	NUT -(Muffler)



Electrical

REF NO	PART NO	QTY	DESCRIPTION
578	84007350	1	WIRE ASSEMBLY -(Wire Harness Adapter Aids in repowering engine application with Male 6-Pin connector and wires create custom adapter configurations.)
578A	19631	1	TOOL, CUSTOM HARNESS -(6-pin Wire Harness Adapter) (Aids in repowering engine application to an EFI engine)
853	84003359	1	ADAPTER, WIRE -(Wire Harness Adapter) (Aids in repowering ExMark) (Flat 6-spade connector to Briggs & Stratton 6-Pin connector)
920	84002147	1	SOLENOID, STARTER -(Starter Solenoid Kit) (Aids in Repowering when original is solenoid shift)
983	5103809YP	1	LIGHT, Indicator -(MIL Light Indicator) (LED Red)
1616	19626	1	CODE READER -(Tiny Scan Code Reader)

Not For Reproduction

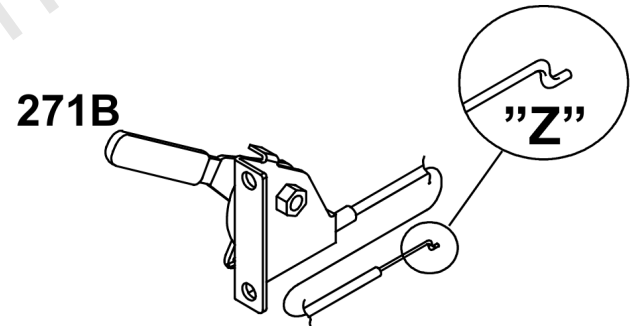
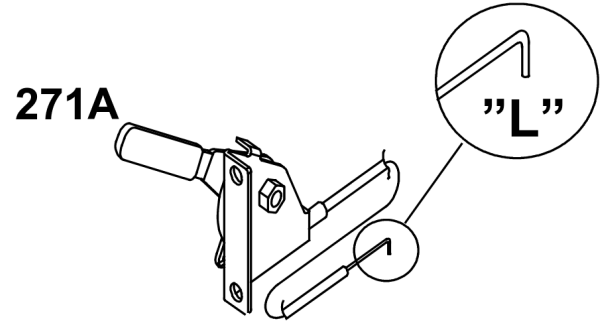
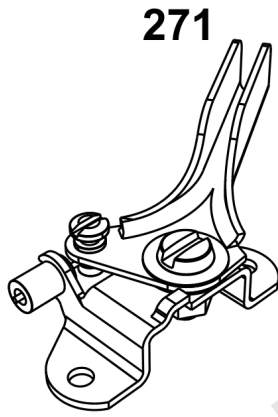
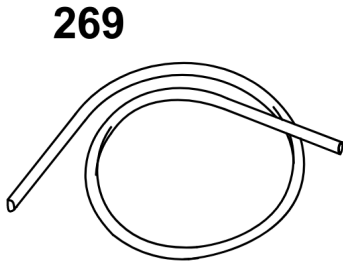
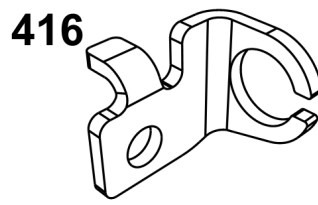
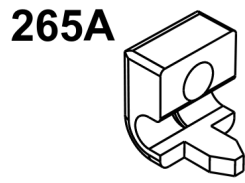
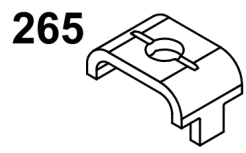


Not For
Reproduction

Flywheel Guards

REF NO	PART NO	QTY	DESCRIPTION
563	799360	1	SCREW -(Debris Screen Guard)
563A	597574	1	SCREW -(Debris Screen Guard)
563B	799359	1	SCREW -(Debris Screen Guard)
949	799357	1	GUARD, Debris Screen -(Static Cover Flywheel) (Requires 4 x 799360 Screw)
949A	797420YP	1	GUARD, Debris Screen -(Static Cover Flywheel High Flow) (Requires 4 x 799360 Screw)
949B	593206	1	GUARD, Debris Screen -(Static Cover Flywheel) (Requires 4 x 799359 Screw)
949C	597573	1	GUARD, Debris Screen -(Wire Static Flywheel Cover) (Requires 4x 597574 Screw) (For Commercial Series)

Not For Reproduction

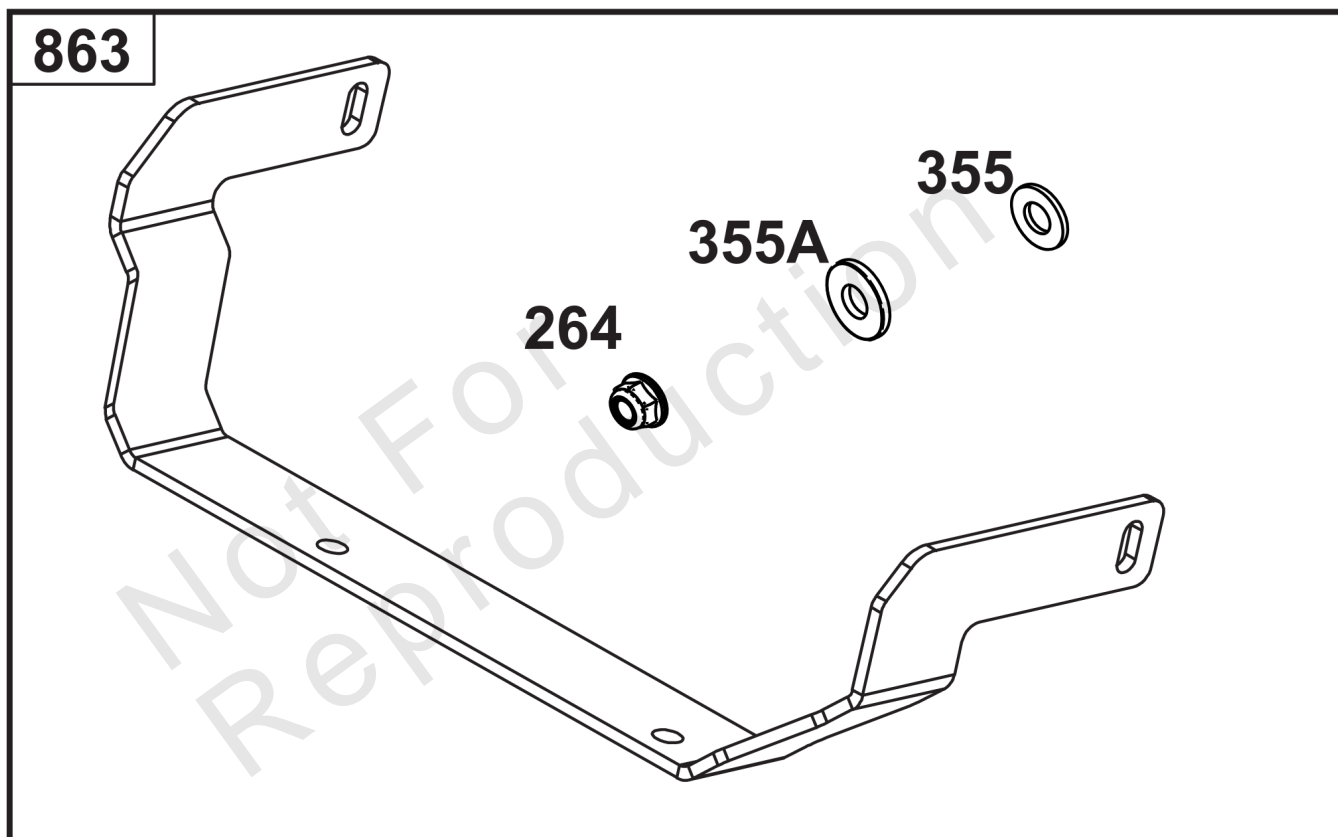


Not For
Reproduction

Speed Control

REF NO	PART NO	QTY	DESCRIPTION
265	691024	1	CLAMP, Casing -(Casing Clamp for Hard Casing)
265A	690798	1	CLAMP, Casing -(Casing Clamp for Soft Casing)
267	792629	1	SCREW -(Screw for Casing Clamp)
269	93907	1	WIRE, Control -(Control Wire 100')
271	691028	1	LEVER, Control -(Speed Control Lever Assembly)
271A	692105	1	LEVER, Control -("L" formed end Speed Control Lever Assembly)
271B	692541	1	LEVER, Control -("Z" formed end Speed Control Lever Assembly)
416	595196	1	BRACKET, Throttle Cable -(Casing Clamp for Snap-In Casing)

Not For Reproduction



Muffler Mounting Hardware

REF NO	PART NO	QTY	DESCRIPTION
264	703465	4	NUT, 5/16-18, GR5 -(Muffler Adapter)
296	591756	4	STUD -(Muffler)
355	5025292SM	4	WASHER, 5/16" GD.9 FL -(Muffler Bracket)
355A	5025155SM	2	WASHER, 5/16 -(Muffler Bracket)
613	690341	4	SCREW -(Muffler)
613A	690363	4	SCREW -(Muffler)
863	597480	1	BRACKET, Muffler
883	594365	2	GASKET, Exhaust
883A	690970	2	GASKET, Exhaust
1177	690941	4	NUT -(Muffler)

Not For Reproduction

WANGUARD[®]

COMMERCIAL POWER



BRIGGS & STRATTON[®]