

VANGUARD®



en Operator's Manual

da Betjeningsvejledning

de Bedienungsanleitung

el Εγχειρίδιο χρήσ

es Manual del operador

fi Käyttäjän käsikirja

fr Manuel d'utilisation

it Manuale dell'Operatore

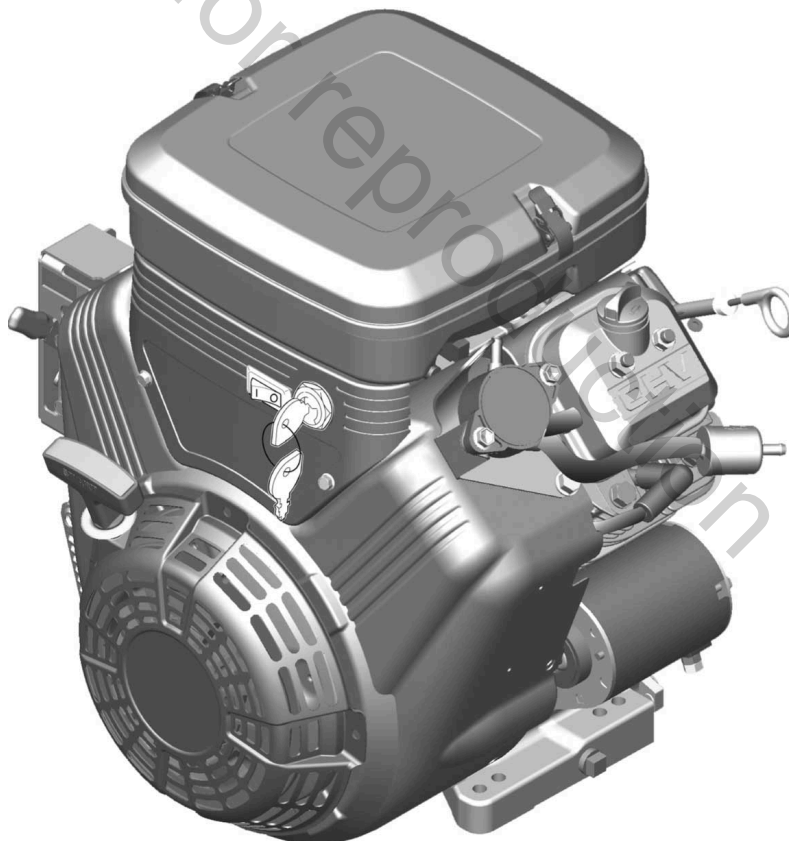
nl Gebruiksaanwijzing

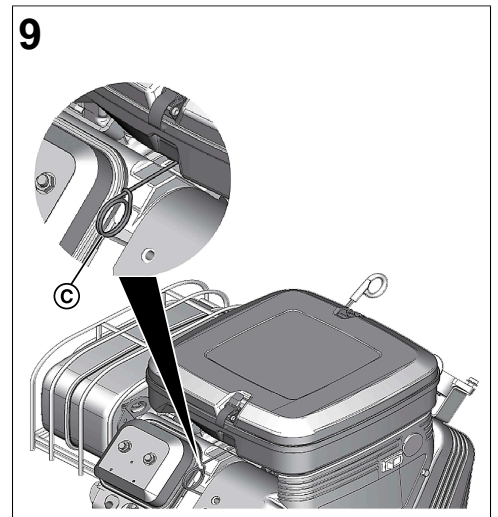
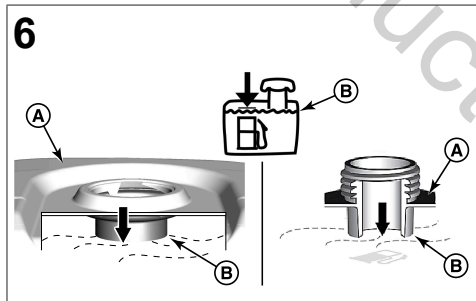
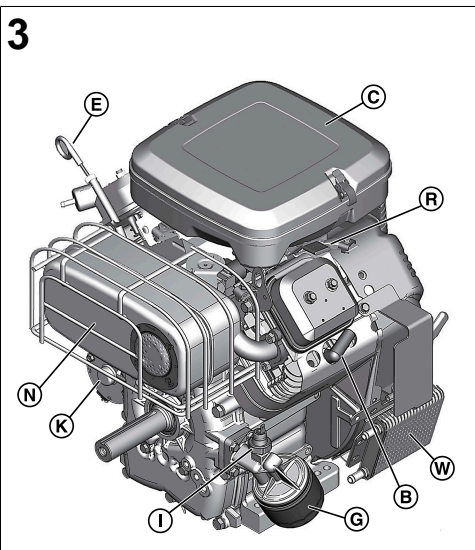
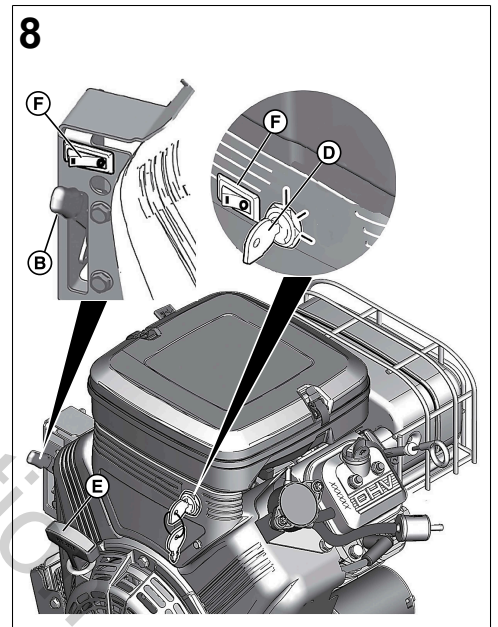
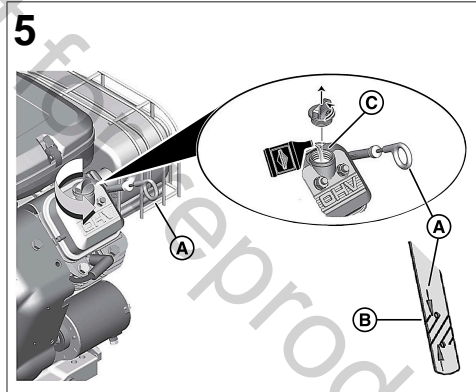
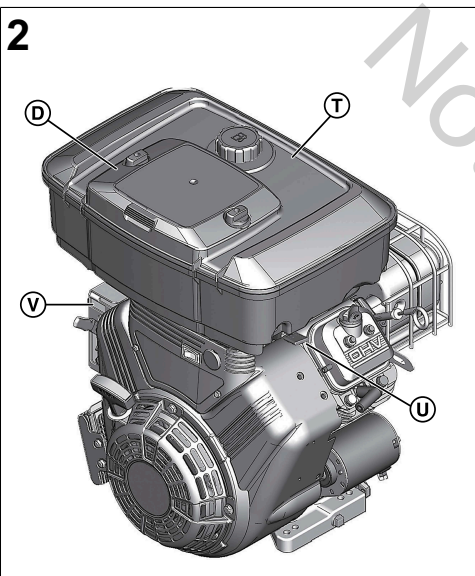
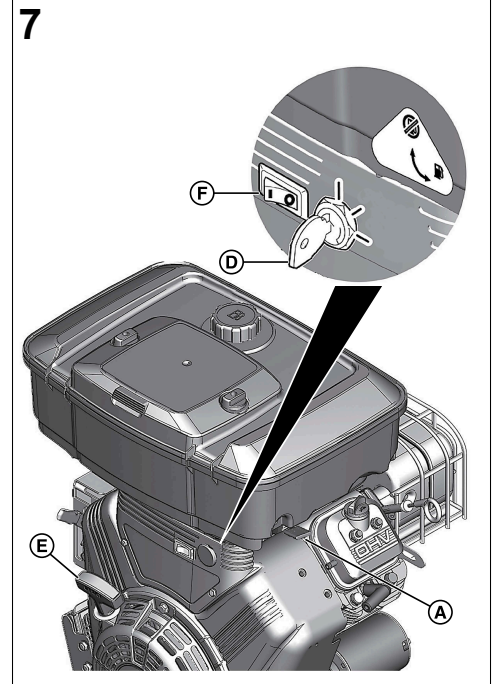
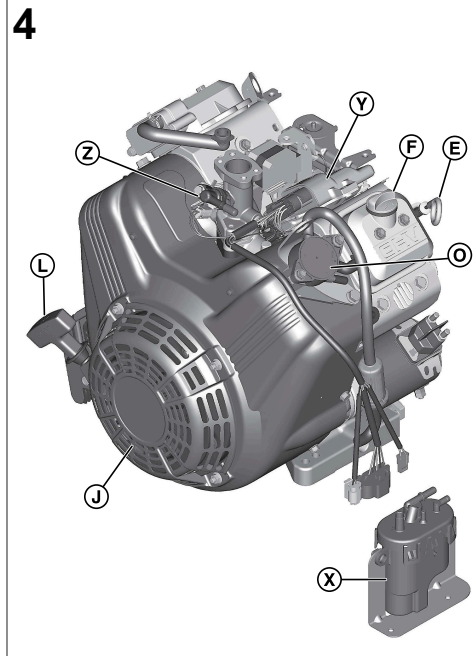
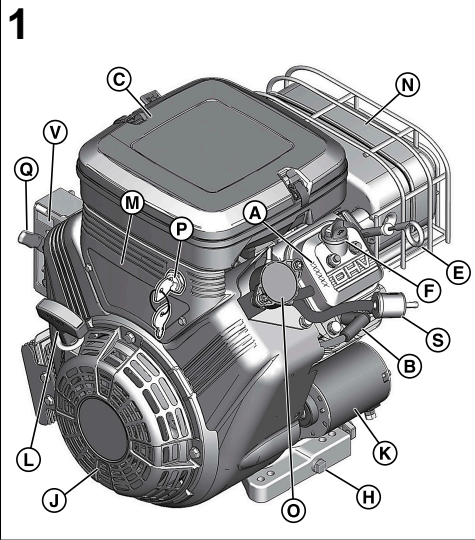
no Brukerhåndbok

pt Manual do Operador

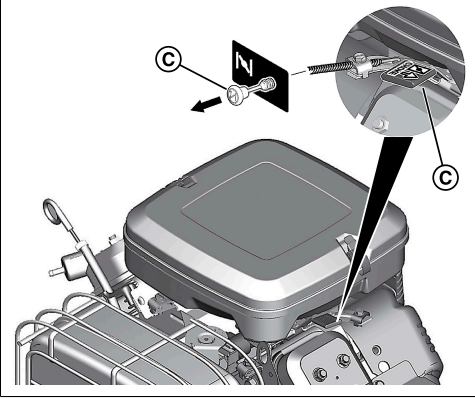
sv Instruktionsbok

290000, 300000, 350000, 380000

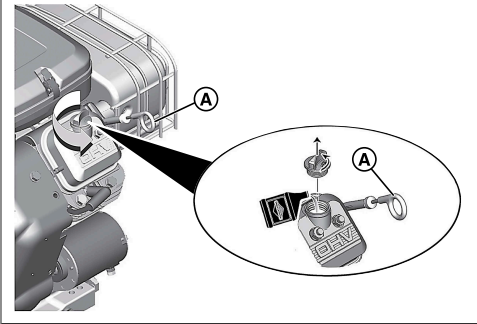




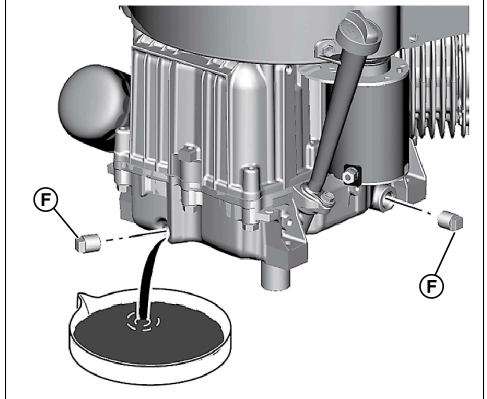
10



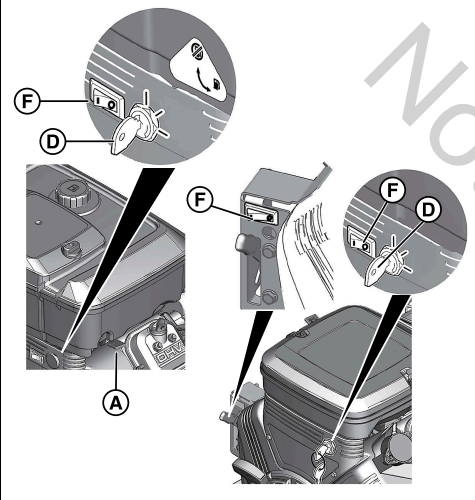
14



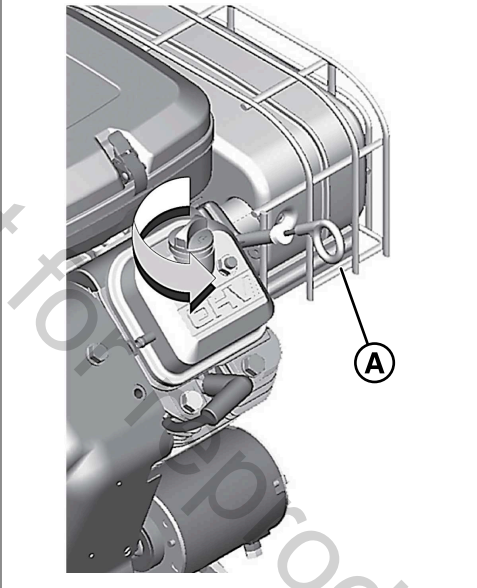
17



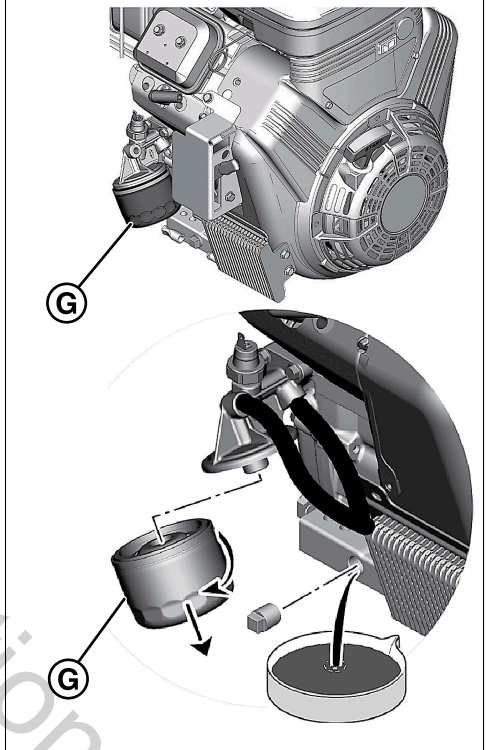
11



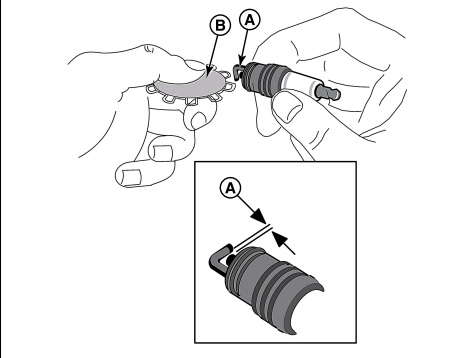
15



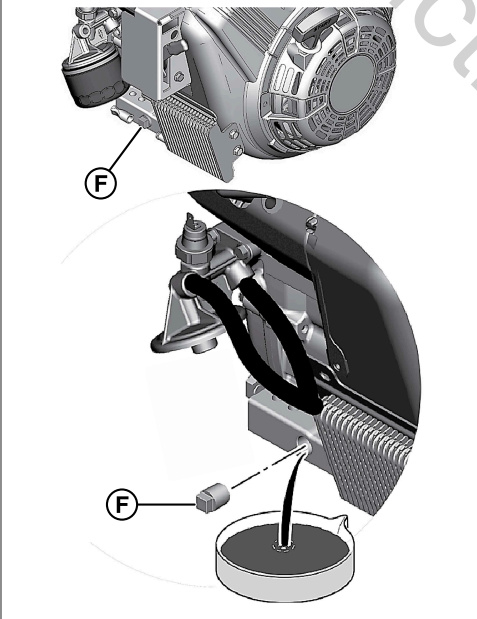
18



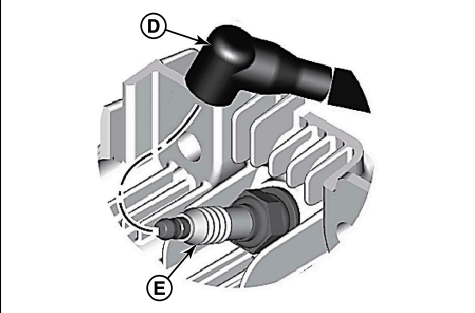
12



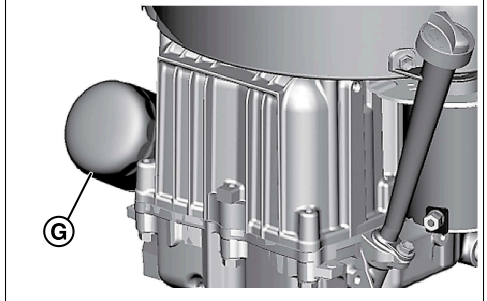
16



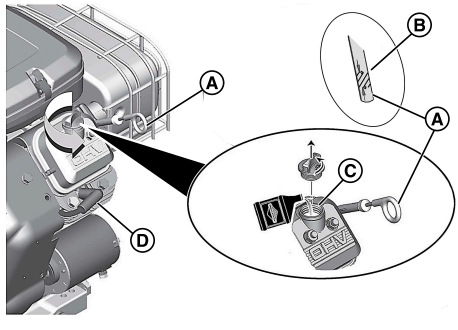
13



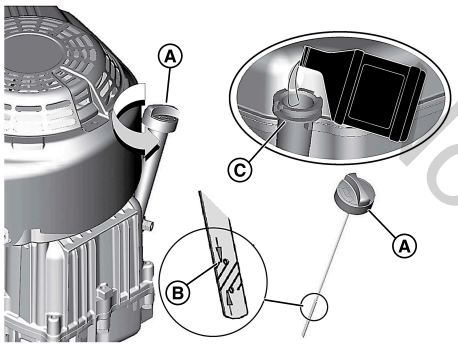
19



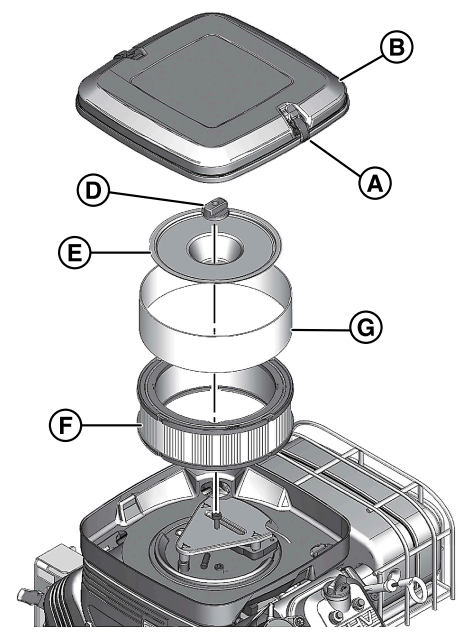
20



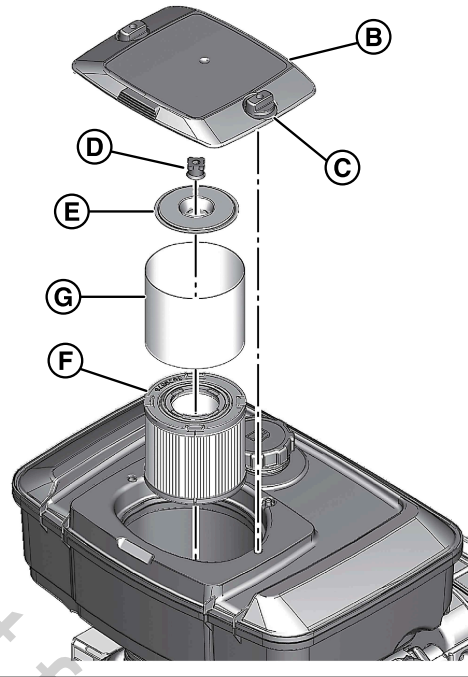
21



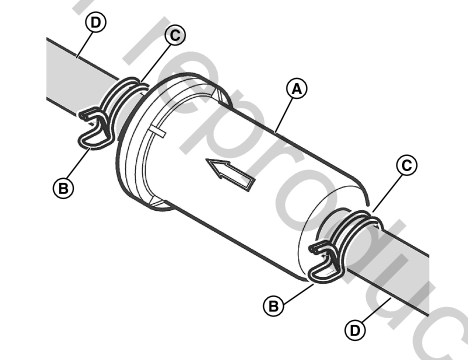
22



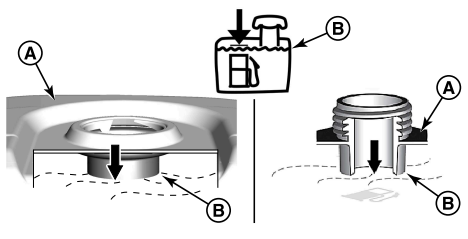
23



24



25



General Information



This manual contains the safety information about the hazards and risks related to the engine and how to prevent them. It also contains the correct operation and maintenance of this engine. It is important that you read, understand, and obey these instructions. **Keep this manual for future reference.**

NOTE: The figures and illustrations in this manual are for information only and can be different from your model. Use the figures that align with your engine configuration. If it is necessary, speak to an Authorized Service Dealer.

Record the date of purchase, engine model, type, trim, and the engine serial number for replacement parts. These numbers are on your engine. Refer to the **Features and Controls** section.

Date of Purchase	
Engine Model - Type - Trim	
Engine Serial Number	

European Office Contact Information

For questions related to European emissions, contact our European office at:

Max-Born-Straße 2, 68519 Viernheim, Germany.

European Union (EU) Stage V (5): Carbon Dioxide (CO₂) Values

Enter CO₂ in the search window on BriggsandStratton.com to find carbon dioxide values of Briggs & Stratton EU Type-Approval Certificate engines.

Recycling Information



Recycle all cartons, boxes, used oil, and batteries as specified by government regulations.

Operator Safety

Safety Alert Symbol and Signal Words



The safety alert symbol identifies safety information about hazards that could result in personal injury. A signal word (**DANGER**, **WARNING**, or **CAUTION**) is used to indicate the likelihood and the potential severity of injury. In addition, a hazard symbol is used to represent the type of hazard.

DANGER indicates a hazard which, if not avoided, **will** result in death or serious injury.

WARNING indicates a hazard which, if not avoided, **could** result in death or serious injury.

CAUTION indicates a hazard which, if not avoided, **could** result in minor or moderate injury.

NOTICE indicates information considered important but not hazard-related.

Hazard Symbols and Meanings

	Safety information about hazards that can result in personal injury.		Read and understand the Operator's Manual before operating or servicing the unit.
	Fire Hazard		Explosion Hazard
	Shock Hazard		Toxic Fume Hazard
	Hot Surface Hazard		Kickback Hazard

	Amputation Hazard - Moving Parts		Fuel Level - Maximum Do Not Overfill
--	----------------------------------	--	--------------------------------------

Safety Messages



WARNING Briggs & Stratton® Engines are not designed for and are not to be used to power: fun-karts; go-karts; children's, recreational, or sport all-terrain vehicles (ATVs); motorbikes; hovercraft; aircraft products; or vehicles used in competitive events not sanctioned by Briggs & Stratton. For information about competitive racing products, see www.briggsracing.com. For use with utility and side-by-side ATVs, please contact Briggs & Stratton Power Application Center, 1-866-927-3349. Incorrect engine use could result in serious injury or death.



WARNING Fuel and its vapors are flammable and explosive. Fire or explosion could result in burns or death.

When you add fuel

- Stop the engine. Before you remove the fuel cap, wait a minimum of two (2) minutes to make sure that the engine is cool.
- Fill the fuel tank outdoors or in an area that has good airflow.
- Do not put too much fuel in the tank. For expansion of the fuel, do not fill above the bottom of the fuel tank neck.
- Keep fuel away from sparks, open flames, pilot lights, heat, and other ignition sources.
- Frequently examine the fuel lines, fuel tank, fuel cap, and connections for cracks or leaks. Replace damaged parts.
- If fuel spills, wait until it dries before you start the engine.

When you start the engine

- Make sure that the spark plug, muffler, fuel cap and air cleaner (if equipped) are correctly installed.
- Do not crank the engine with the spark plug removed.
- If the engine is flooded, set the choke (if equipped) to the OPEN or RUN position. Move the throttle (if equipped) to the FAST position and crank until the engine starts.
- If there is natural or LP gas leakage in the area, do not start the engine.
- Because vapors are flammable, do not use pressurized starter fluids.

When you operate the equipment

- Do not tilt the engine or the equipment at an angle which causes fuel to spill.
- Do not choke the carburetor (if equipped) to stop the engine.
- Do not start or operate the engine with the air cleaner (if equipped) or the air filter (if equipped) removed.

When you do maintenance

- If you drain the oil from the top oil fill tube, the fuel tank must be empty. If it is not empty, fuel leakage can occur and could result a fire or an explosion.
- During maintenance if it is necessary to tilt the unit, make sure that the fuel tank, if mounted on the engine, is empty and that the spark plug side is up. If the fuel tank is not empty, leakage can occur and could result a fire or an explosion.
- Frequently examine the fuel lines, fuel tank, fuel cap, and connections for cracks or leaks. Replace damaged parts.
- Do not change the governor spring, links or other parts to increase engine speed.
- Do not hit the flywheel with a hammer or hard object. This could result in failure of the flywheel during operation.
- Replacement parts must be of the same design and installed in the same position as the original parts. Other parts could result in damage or an injury.

When you move the location of equipment

- Make sure that the fuel tank is EMPTY or that the fuel shut-off valve is in the CLOSED position.

When fuel or equipment is in storage with fuel in the fuel tank

- Because pilot lights or other ignition sources can cause explosions, keep fuel or equipment away from furnaces, stoves, water heaters or other appliances that have pilot lights.



WARNING
Fuel and its vapors are flammable and explosive. Fire or explosion could result in burns or death.

Engine start-up causes spark that could result in a fire or explosion.

- If there is natural or LP gas leakage in the area, do not start the engine.
- Because vapors are flammable, do not use pressurized starter fluids.



WARNING
POISONOUS GAS HAZARD. Engine exhaust contains carbon monoxide, a poisonous gas that could kill you in minutes. Although you do not smell exhaust fumes, you could still be exposed to dangerous carbon monoxide gas. If you feel sick, dizzy, or weak while you use this product, get to fresh air **RIGHT AWAY**. See a doctor. You may have carbon monoxide poisoning.

- Carbon monoxide gas can collect in occupied spaces. To reduce the risk of carbon monoxide gas, **ONLY** operate this product outdoors and far away from windows, doors and vents.
- Install battery-operated carbon monoxide alarms or plug-in carbon monoxide alarms with battery back-up as specified by the manufacturer's instructions. Smoke alarms cannot sense carbon monoxide gas.
- **DO NOT** operate this product in homes, garages, basements, crawlspaces, sheds, or other closed spaces, even if you use fans or open doors and windows for ventilation. After the operation of this product, carbon monoxide can quickly collect in these spaces and stay for hours.
- **ALWAYS** put this product downwind and point the engine exhaust away from occupied spaces.



WARNING
Fast retraction of the starter cord (kickback) will pull your hand and arm to the engine faster than you can let go. Broken bones, fractures, bruises or sprains could result.

- To prevent kickback when you start the engine, pull the starter cord slowly until resistance is felt and then pull quickly.
- Before you start the engine, disconnect or remove all external equipment and engine loads.
- Make sure that direct-coupled equipment components, such as, but not limited to, blades, impellers, pulleys, and sprockets, are correctly attached.



WARNING
Rotating parts can entangle hands, feet, hair, clothing, or accessories and result in traumatic amputation or laceration.

- Operate equipment with the guards correctly installed.
- Keep hands and feet away from rotating parts.
- Remove jewelry and make sure that long hair is away from all rotating parts.
- Do not wear loose clothes or items that could become caught.



WARNING
During operation, the engine and muffler become hot. If you touch a hot engine, thermal burns can occur.

Combustible materials, such as leaves, grass and brush, can catch fire.

- Before you touch the engine or muffler, stop the engine and wait two (2) minutes. Make sure that the engine and muffler are safe to touch.
- Remove debris from the muffler and engine.

It is a violation of California Public Resource Code, Section 4442, to use or operate the engine on any forest-covered, brush-covered, or grass-covered land unless the exhaust system is equipped with a spark arrester, as defined in section 4442, maintained in effective working order. Other states or federal jurisdictions may have similar laws; reference Federal Regulation 36 CFR Part 261.52. Contact the original equipment manufacturer, retailer, or dealer to obtain a spark arrester designed for the exhaust system installed on this engine.



WARNING
Accidental engine spark can cause an electric shock, fire or explosion and could result in entanglement, traumatic amputation or laceration.

Before you make adjustments or repairs:

- Disconnect all spark plug wires and keep them away from the spark plugs.
- Disconnect the battery wire from the negative battery terminal (only engines with electric start).
- Use only the correct tools.

When you check for spark:

- Use an approved spark plug tester.
- Do not check for spark with the spark plug removed.



WARNING
Fuel vapors are flammable and explosive. Fire or explosion could result in burns or death.

If you smell gas

- Do not start the engine.
- Do not switch on electrical switches.
- Do not use a phone in the vicinity.
- Evacuate the area.
- Contact the gas supplier or the fire department.

Features and Controls









Engine Controls

Compare the callout letters in Figures 1, 2, 3, and 4 to the engine controls in the list that follows:

- A. Engine Identification Numbers **Model - Type - Code**
- B. Spark Plug
- C. Air Cleaner (without Fuel Tank)
- D. Air Cleaner (with Fuel Tank)
- E. Dipstick
- F. Oil Fill
- G. Oil Filter (if installed)
- H. Oil Drain Plug
- I. Oil Pressure Sensor
- J. Finger Guard
- K. Electric Starter
- L. Rewind Starter (if installed)
- M. Carburetor - Carburetor Models
- N. Muffler
- O. Fuel Pump
- P. Starter Switch¹
- Q. Throttle Control¹
- R. Choke Control¹
- S. Fuel Filter (if installed)
- T. Fuel Tank
- U. Fuel Shut-Off (if installed)¹
- V. Stop Switch (if installed)¹
- W. Oil Cooler (if installed)
- X. Fuel Pump Module - EFI Models
- Y. Electronic Control Module - EFI Models
- Z. Fuel Injector - EFI Models

¹ Some engines and equipment have remote controls. See the equipment manual for location and operation of remote controls.

Engine Control Symbols and Meanings

 Engine Speed - FAST	 Engine Speed - SLOW
 Engine Speed - STOP	 ON - OFF
 Engine Start Choke CLOSED	 Engine Start Choke OPEN
 Fuel Cap Fuel Shut-off OPEN	 Fuel Shut-off CLOSED

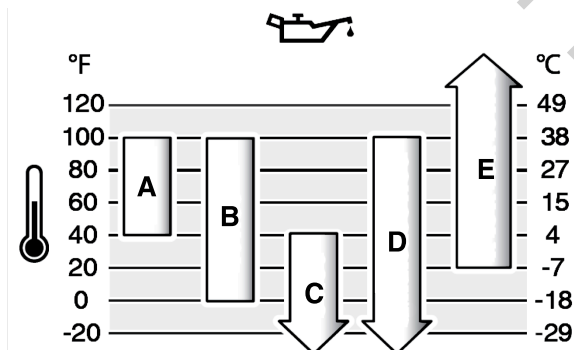
Operation

Oil Recommendations

Oil Capacity: Refer to the **Specifications** section.

We recommend the use of Briggs & Stratton® Warranty Certified oils for best performance. Other high-quality detergent oils are permitted if classified for service SF, SG, SH, SJ or higher. Do not use special additives.

Use the chart to select the best viscosity for the outdoor temperature range expected. Engines on most outdoor power equipment operate good with 5W-30 Synthetic oil. For equipment operated in hot temperatures, Vanguard® 15W-50 Synthetic oil gives the best protection.



A	SAE 30 - Below 40 °F (4 °C) the use of SAE 30 will result in hard starting.
B	10W-30 - Above 80 °F (27 °C) the use of 10W-30 may cause increased oil consumption. Check the oil level frequently.
C	5W-30
D	Synthetic 5W-30
E	Vanguard® Synthetic 15W-50

Check the Oil Level

Before you check or add oil

- Make sure the engine is level.
- Clean the oil fill area of debris.
- Refer to the **Specifications** section for oil capacity.

NOTICE

This engine was shipped from Briggs & Stratton without oil. Equipment manufacturers or dealers could have added oil to the engine. Before you start the engine for the first time, make sure that the oil is at the correct level. Add oil as specified by the instructions in this manual. If you start the engine without oil, damage will occur and the engine will not be repaired under warranty.

1. Remove the dipstick (A, Figure 5) and clean with a cloth.
2. Install and tighten the dipstick (A, Figure 5).
3. Remove the dipstick and check the oil level. Make sure that the oil level is at the top of the full indicator (B, Figure 5) on the dipstick.
4. If the oil level is low, slowly add oil into the engine oil fill (C, Figure 5). Do not add too much oil.

5. Wait one minute and check the oil level again. Make sure that the oil level is correct.
6. Install and tighten the dipstick (A, Figure 5).

Low Oil Protection System (if installed)

A low oil sensor is installed on some engines. If the oil is low, the sensor will show a warning light or stop the engine. Stop the engine and do the steps that follow before you start the engine.

- Make sure that the engine is level.
- Do an oil check. Refer to the **Check Oil Level** section.
- If the oil level is low, add the correct amount of oil. Start the engine and make sure that the warning light (if installed) does not come on.
- If the oil level is not low, do not start the engine. Contact a Briggs & Stratton Authorized Service Dealer to correct the oil problem.

Fuel Recommendations

Fuel must meet these requirements:

- Clean, fresh, unleaded gasoline.
- A minimum of 87 octane/87 AKI (91 RON). High altitude use, see below.
- Gasoline with up to 10% ethanol (gasohol) is permitted.

NOTICE

Do not use unapproved gasoline, such as E15 and E85. Do not mix oil in gasoline or change the engine to operate on alternate fuels. Use of unapproved fuels could result in damage to engine components, which will not be repaired under the warranty.

To protect the fuel system from gum formation, and corrosion, mix an alcohol-free fuel stabilizer and ethanol treatment into the fuel. Refer to the **Storage** section. All fuel is not the same. If start or performance problems occur, change fuel providers or brands. This engine is certified to operate on gasoline. The emissions control system for carbureted engines is EM (Engine Modifications). The emissions control systems for engines with electronic fuel injection are ECM (Engine Control Module), MFI (Multiport Fuel Injection), TBI (Throttle Body Fuel Injection) and if equipped an O2S (Oxygen Sensor).

High Altitude

At altitudes over 5,000 feet (1524 meters), a minimum 85 octane/85 AKI (89 RON) gasoline is permitted.

For carbureted engines, high altitude adjustment is required to maintain performance. Operation without this adjustment will cause decreased performance, increased fuel consumption, and increased emissions. Contact a Briggs & Stratton Authorized Service Dealer for high altitude adjustment information. Operation of the engine at altitudes below 2,500 feet (762 meters) with the high altitude adjustment is not recommended.

For Electronic Fuel Injection (EFI) engines, no high altitude adjustment is necessary.

Add Fuel



WARNING
Fuel and its vapors are flammable and explosive. Fire or explosion could result in burns or death.

When you add fuel

- Stop the engine. Before you remove the fuel cap, wait a minimum of two (2) minutes to make sure that the engine is cool.
 - Fill the fuel tank outdoors or in an area that has good airflow.
 - Do not put too much fuel in the tank. For expansion of the fuel, do not fill above the bottom of the fuel tank neck.
 - Keep fuel away from sparks, open flames, pilot lights, heat, and other ignition sources.
 - Frequently examine the fuel lines, fuel tank, fuel cap, and connections for cracks or leaks. Replace damaged parts.
 - If fuel spills, wait until it dries before you start the engine.
1. Clean the fuel cap area of dirt and debris. Remove the fuel cap.
 2. Fill the fuel tank (A, Figure 6) with fuel. Because fuel will expand, do not fill above the bottom of the fuel tank neck (B).
 3. Install the fuel cap.

Start the Engine



WARNING

POISONOUS GAS HAZARD. Engine exhaust contains carbon monoxide, a poisonous gas that could kill you in minutes. Although you do not smell exhaust fumes, you could still be exposed to dangerous carbon monoxide gas. If you feel sick, dizzy, or weak while you use this product, get to fresh air RIGHT AWAY. See a doctor. You may have carbon monoxide poisoning.

- Carbon monoxide gas can collect in occupied spaces. To reduce the risk of carbon monoxide gas, ONLY operate this product outdoors and far away from windows, doors and vents.
- Install battery-operated carbon monoxide alarms or plug-in carbon monoxide alarms with battery back-up as specified by the manufacturer's instructions. Smoke alarms cannot sense carbon monoxide gas.
- DO NOT operate this product in homes, garages, basements, crawlspaces, sheds, or other closed spaces, even if you use fans or open doors and windows for ventilation. After the operation of this product, carbon monoxide can quickly collect in these spaces and stay for hours.
- ALWAYS put this product downwind and point the engine exhaust away from occupied spaces.



WARNING

Fuel and its vapors are flammable and explosive. Fire or explosion could result in burns or death.

When you start the engine

- Make sure that the spark plug, muffler, fuel cap and air cleaner (if equipped) are correctly installed.
- Do not crank the engine with the spark plug removed.
- If the engine is flooded, set the choke (if equipped) to the OPEN or RUN position. Move the throttle (if equipped) to the FAST position and crank until the engine starts.
- If there is natural or LP gas leakage in the area, do not start the engine.
- Because vapors are flammable, do not use pressurized starter fluids.



WARNING

Rotating parts can entangle hands, feet, hair, clothing, or accessories and result in traumatic amputation or laceration.

- Operate equipment with the guards correctly installed.
- Keep hands and feet away from rotating parts.
- Remove jewelry and make sure that long hair is away from all rotating parts.
- Do not wear loose clothes or items that could become caught.



WARNING

Fast retraction of the starter cord (kickback) will pull your hand and arm to the engine faster than you can let go. Broken bones, fractures, bruises or sprains could result.

- To prevent kickback when you start the engine, pull the starter cord slowly until resistance is felt and then pull quickly.
- Before you start the engine, disconnect or remove all external equipment and engine loads.
- Make sure that direct-coupled equipment components, such as, but not limited to, blades, impellers, pulleys, and sprockets, are correctly attached.

Types of Start Systems

Before you start the engine, you must know the type of start system on your engine. Your engine has one of these types of systems.

- **Electronic Fuel Injection (EFI) System:** An EFI system does not have a choke or a primer.
- **Electronic Fuel Management System:** An Electronic Fuel Management system has an Electronic Control Unit that monitors engine and temperature conditions. It does not have a manual choke or a primer.
- **Choke System:** This type of system has a choke to be used in cool temperatures. Some models have a separate choke control, but some have a combination choke and throttle choke. This type does not have a primer.

NOTE: Your equipment could have remote controls. Refer to the equipment manual for the location and operation of remote controls.

Electronic Fuel Injection (EFI) System

1. Check the engine oil. See the **Check Oil Level** section.
2. Make sure equipment drive controls, if equipped, are disengaged.
3. Move the fuel shut-off (A, Figure 7), if equipped, to the OPEN position.

4. Push the stop switch (F, Figures 7, 8), if equipped, to the ON position.
5. Move the throttle control (B, Figure 8), if equipped, to the FAST position. Operate the engine in the FAST position.
6. **Rewind Start, if equipped with key switch:** Turn the key switch (D, Figures 7, 8) to the ON position.
7. **Rewind Start, if equipped:** Tightly hold the starter cord handle (E, Figures 7, 8). Pull the starter cord handle slowly until resistance is felt, then pull quickly.



WARNING

Fast retraction of the starter cord (kickback) will pull your hand and arm to the engine faster than you can let go. Broken bones, fractures, bruises or sprains could result. To prevent kickback when you start the engine, pull the starter cord slowly until resistance is felt and then pull quickly.

8. **Electric Start, if equipped:** Turn the electric start switch (D, Figures 7, 8) to the ON or START position.

NOTICE To extend the life of the starter, use short start cycles (five seconds maximum). Wait one minute between start cycles.

If the engine does not start after 3 or 4 times, contact your local dealer or go to vanguardpower.com or call 1-800-999-9333.

Electronic Fuel Management System

1. Check the engine oil. See the **Check Oil Level** section.
2. Make sure equipment drive controls, if equipped, are disengaged.
3. Move the fuel shut-off (A, Figure 7), if equipped, to the OPEN position.
4. Push the stop switch (F, Figures 7, 8), if equipped, to the ON position.
5. Move the throttle control (B, Figure 8), if equipped, to the FAST position. Operate the engine in the FAST position.
6. **Rewind Start, if equipped with key switch:** Turn the key switch (D, Figures 7, 8) to the ON position.
7. **Rewind Start, if equipped:** Tightly hold the starter cord handle (E, Figures 7, 8). Pull the starter cord handle slowly until resistance is felt, then pull quickly.



WARNING

Fast retraction of the starter cord (kickback) will pull your hand and arm to the engine faster than you can let go. Broken bones, fractures, bruises or sprains could result. To prevent kickback when you start the engine, pull the starter cord slowly until resistance is felt and then pull quickly.

8. **Electric Start, if equipped:** Turn the electric start switch (D, Figures 7, 8) to the ON or START position.

NOTICE To extend the life of the starter, use short start cycles (five seconds maximum). Wait one minute between start cycles.

If the engine does not start after 3 or 4 times, contact your local dealer or go to vanguardpower.com or call 1-800-999-9333.

Choke System

1. Check the engine oil. See the **Check and Add Oil Level** section.
2. Make sure equipment drive controls, if equipped, are disengaged.
3. Move the fuel shut-off (A, Figure 7), if equipped, to the OPEN position.
4. Push the stop switch (F, Figures 7, 8), if equipped, to the ON position.
5. Move the throttle control (B, Figures 7), if equipped, to the FAST position. Operate the engine in the FAST position.
6. Move the choke control (C, Figures 9, 10) to the CLOSED position.

NOTE: The choke is usually not necessary when you start a warm engine.

7. **Rewind Start, if equipped with key switch:** Turn the key switch (D, Figures 7, 8) to the ON position.

- Rewind Start, if equipped:** Tightly hold the starter cord handle (E, Figures 7, 8). Pull the starter cord handle (E) slowly until resistance is felt, then pull it quickly.



WARNING
Fast retraction of the starter cord (kickback) will pull your hand and arm to the engine faster than you can let go. Broken bones, fractures, bruises or sprains could result. To prevent kickback when you start the engine, pull the starter cord slowly until resistance is felt and then pull quickly.

- Electric Start, if equipped:** Turn the key switch (D, Figures 7, 8) to the ON or START position.

NOTICE
To extend the life of the starter, use short start cycles (five seconds maximum). Wait one minute between start cycles.

- As the engine warms, move the choke control (C, Figures 9, 10) to the OPEN position.

NOTE: If the engine does not start after 2-3 attempts, contact your local dealer or go to vanguardpower.com or call 1-800-999-9333.

Stop the Engine



WARNING
Fuel and its vapors are flammable and explosive. Fire or explosion could result in burns or death.

- Do not choke the carburetor (if equipped) to stop the engine.
- Stop Switch, if equipped:** Move the stop switch (F, Figure 11) to the OFF position.
 - Key Switch, if equipped:** With the throttle control, if equipped, in the SLOW position, turn the key switch (D, Figure 11) to the OFF position. Remove the key and it in a safe location out of reach of children.
 - After the engine stops, move the fuel shut-off (A, Figure 11), if equipped, to the CLOSED position.

Maintenance

Maintenance Information



WARNING
Fuel and its vapors are flammable and explosive. Fire or explosion could result in burns or death.

During maintenance if it is necessary to tilt the unit, make sure that the fuel tank, if mounted on the engine, is empty and that the spark plug side is up. If the fuel tank is not empty, leakage can occur and could result in a fire or an explosion. If the engine is tilted in a different direction, it will not easily start because of oil or fuel contamination of the air filter or the spark plug.



WARNING
Accidental engine spark can cause an electric shock, fire or explosion and could result in entanglement, traumatic amputation or laceration.

Before you make adjustments or repairs:

- Disconnect all spark plug wires and keep them away from the spark plugs.
- Disconnect the battery wire from the negative battery terminal (only engines with electric start).
- Use only the correct tools.

When you check for spark:

- Use an approved spark plug tester.
- Do not check for spark with the spark plug removed.



WARNING
All the components used to assemble this engine must stay in the initial position for correct operation. Damage or injury can occur if you use incorrect parts or you do not replace all parts on the engine.

- Replacement parts must be of the same design and installed in the same position as initial parts.
- If installed, do not change the governor spring, links, or other parts to increase the engine speed.

See a Briggs & Stratton Authorized Service Dealer for all maintenance and servicing of the engine and engine parts.

Emissions Control Service

For maintenance, replacement, or repair of emissions control devices and systems, contact a qualified off-road engine repair establishment or service technician. However, for "no charge" emissions control service, the work must be done by a factory authorized dealer. Refer to the Emissions Control Statements.

Maintenance Schedule

Intervals of 8 Hours or Daily
<ul style="list-style-type: none"> Check the engine oil level. Clean the area around the muffler and controls.
Intervals of 100 Hours or Annually
<ul style="list-style-type: none"> Replace the spark plugs. Change the engine oil. Replace the oil filter (if installed). Service the air filter¹. Clean the pre-cleaner (if installed)¹. Service the exhaust system.
Intervals of 250 Hours or Annually
<ul style="list-style-type: none"> Check the valve clearance. Adjust if necessary.
Intervals of 400 Hours or Annually
<ul style="list-style-type: none"> Replace the air filter. Replace the fuel filter. Service the air cooling system¹. Clean the oil cooler fins¹.

¹ Clean more frequently in dusty conditions or when many particles are in the air.

Electronic Fuel Injection (EFI) System

The EFI System monitors engine temperature, engine speed, and battery voltage for engine start-up and warm-up. There are no adjustments on the system. If start-up or operation problems occur, contact a Briggs & Stratton Authorized Service Dealer.

NOTICE Make sure to obey the steps that follow or damage to the EFI system could occur.

- DO NOT start the engine if the battery cables are loose.
- Turn the key to the OFF position before you disconnect, remove, and / or install the battery.
- DO NOT use a battery charger to start the engine.
- DO NOT disconnect the battery cables during engine operation.
- When you disconnect the battery cables, first connect the positive (+) cable, and then connect the negative (-) cable to the battery.
- When you charge the battery, turn the ignition switch to the OFF position, and disconnect the negative (-) battery cable from the battery.
- DO NOT spray water directly on the Electronic Control Module.

Electronic Fuel Management System

The Electronic Fuel Management System monitors engine temperature, engine speed, and battery voltage to adjust the choke during engine start-up and warm-up. There are no adjustments on the system. If start-up or operation problems occur, speak to a Briggs & Stratton Authorized Service Dealer.

NOTICE Make sure that you follow these rules or the Electronic Fuel Management System could be damaged.

- DO NOT start the engine if the battery cables are loose.
- Before you connect the jump start cables, or disconnect or reconnect the battery cables, turn the ignition switch to the OFF position. When you charge the battery, turn the ignition switch to the OFF position.
- When you disconnect the battery cables from the battery, disconnect the negative (-) cable, and then disconnect the positive (+) cable to the battery. When you connect the battery cables to the battery, connect the positive (+) cable, and then the negative (-) cable to the battery.
- DO NOT use a battery charger to start the engine.
- DO NOT disconnect the battery cables during engine operation.
- DO NOT spray water directly on the Electronic Control Unit.

Carburetor and Engine Speed

Do not make adjustments to the carburetor, governor spring, linkages, or other parts to adjust the engine speed. If adjustments are necessary, contact a Briggs & Stratton Authorized Service Dealer for servicing.

NOTICE

The equipment manufacturer specifies the maximum speed for the engine as installed on the equipment. Do not exceed this speed. If you are not sure what the equipment maximum speed is, or what the engine speed is set to from the factory, contact a Briggs & Stratton Authorized Service Dealer for assistance. For safe and correct operation of the equipment, the engine speed should only be adjusted by a qualified service technician.

Servicing the Spark Plug

Check the spark plug gap (A, Figure 12) with a wire gauge (B). If necessary, set the spark plug gap. Install and tighten the spark plug to the correct torque. For gap and torque specifications, refer to the **Specifications** section.

Servicing the Exhaust System



WARNING During operation, the engine and muffler become hot. If you touch a hot engine, thermal burns can occur.

Combustible materials, such as leaves, grass and brush, can catch fire.

- Before you touch the engine or muffler, stop the engine and wait two (2) minutes. Make sure that the engine and muffler are safe to touch.
- Remove debris from the muffler and engine.

It is a violation of California Public Resource Code, Section 4442, to use or operate the engine on any forest-covered, brush-covered, or grass-covered land unless the exhaust system is equipped with a spark arrester, as defined in section 4442, maintained in effective working order. Other states or federal jurisdictions may have similar laws; reference Federal Regulation 36 CFR Part 261.52. Contact the original equipment manufacturer, retailer, or dealer to obtain a spark arrester designed for the exhaust system installed on this engine.

Remove debris from the muffler and cylinder area. Inspect the muffler for cracks, corrosion, or other damage. Remove the deflector or the spark arrester, if equipped, and inspect for damage or carbon blockage. If damage is found, install the replacement parts before you operate the equipment.

Change Engine Oil



WARNING Fuel and its vapors are flammable and explosive. Fire or explosion could result in burns or death.

During operation, the engine and muffler become hot. If you touch a hot engine, thermal burns can occur.

- If you drain the oil from the top oil fill tube, the fuel tank must be empty. If it is not empty, fuel leakage can occur and cause a fire or an explosion.
- Before you touch the engine or muffler, stop the engine and wait two (2) minutes. Make sure that the engine and muffler are safe to touch.

Used oil is a hazardous waste product and must be discarded of correctly. Do not discard with household waste. Contact your local authorities, service center, or dealer for safe disposal or recycling facilities.

Remove Oil

1. With engine OFF but warm, disconnect the spark plug wire(s) (D, Figure 13), and keep it away from the spark plug(s)(E).
2. Remove the dipstick (A, Figures 14, 15).
3. Remove the oil drain plug (F, Figures 16, 17). Drain the oil into an approved container.
4. Install and tighten the oil drain plug (F, Figures 16, 17).

Change Oil Filter, if installed

1. Drain the oil from the engine. Refer to the **Remove Oil** section.
2. Remove the oil filter (G, Figures 18, 19) and discard correctly.
3. Before you install the new oil filter, lightly lubricate the oil filter gasket with clean oil.
4. Install the oil filter by hand until the gasket touches the oil filter adapter, then tighten the oil filter 1/2 to 3/4 turns.
5. Add oil. Refer to the **Add Oil** section.
6. Start and operate the engine. When the engine is warm, do a check for oil leaks.
7. Stop the engine. Make sure that oil level is at the top of the full indicator on the dipstick. Refer to the **Add Oil** section.

Add Oil

- Make sure the engine is level.

- Clean the oil fill area of all debris.
- Refer to the **Specifications** section for oil capacity.

1. Remove the dipstick (A, Figures 20, 21). Remove oil from the dipstick with a clean cloth.
2. Slowly add oil into the engine oil fill (C, Figures 20, 21) **Do not overfill**. Wait one minute and then check the oil level.
3. Install and tighten the dipstick (A, Figures 20, 21).
4. Remove the dipstick and check the oil level. The correct oil level is at the top of the full indicator (B, Figures 20, 21) on the dipstick.
5. Install and tighten the dipstick (A, Figures 20, 21).
6. Connect the spark plug wire(s) (D, Figure 20) to the spark plug(s).

Servicing the Air Filter



WARNING Fuel vapors are flammable and explosive. Fire or explosion could result in burns or death.

- Do not start and operate the engine with the air cleaner assembly (if equipped) or the air filter (if equipped) removed.

NOTICE

Do not use pressurized air or solvents to clean the filter. Pressurized air could result in damage to the filter and solvents will dissolve the filter.

See the **Maintenance Schedule** for servicing requirements.

Some models have an optional pre-cleaner that can be cleaned and used again. Compare the illustrations in this manual to the type installed on your engine.

1. **Models without a Fuel Tank:** Open the fastener(s) (A, Figure 22) and remove the cover (B).
2. **Models with a Fuel Tank:** Remove the fastener(s) (C, Figure 23) and the cover (D).
3. Remove the nut (D, Figures 22, 23) and retainer (E).
4. Remove the air filter (F, Figures 22, 23).
5. Remove the pre-cleaner (G, Figures 22, 23), if equipped, from the air filter (F).
6. To loosen debris, lightly tap the filter (F, Figures 22, 23) on a hard surface. If the air filter is dirty, replace it with a new filter.
7. Clean the pre-cleaner (G, Figures 22, 23), if equipped, in liquid detergent and water. Let the pre-cleaner fully air dry. **DO NOT** lubricate the pre-cleaner.
8. Assemble the dry pre-cleaner (G, Figures 22, 23), if equipped, to the air filter (F).
9. Install the air filter (F, Figures 22, 23) and attach with the retainer (E) and nut (D).
10. Install the cover (B, Figures 22, 23).

Servicing the Fuel System



WARNING Fuel and its vapors are flammable and explosive. Fire or explosion could result in burns or death.

- Keep fuel away from sparks, open flames, pilot lights, heat, and other ignition sources.
- Frequently examine the fuel lines, fuel tank, fuel cap, and connections for cracks or leaks. Replace damaged parts.
- If fuel spills, wait until it dries before you start the engine.

Fuel Filter, if installed

1. Before you replace the fuel filter (A, Figure 24), drain the fuel tank or close the fuel shut-off valve. If the fuel tank is not drained, fuel leakage can occur and cause a fire or explosion.
2. Squeeze the tabs (B, Figure 24) on the clamps (C) with pliers. Move the clamps away from the fuel filter (A).
3. Twist and pull the fuel lines (D, Figure 24) off of the fuel filter.
4. Examine the fuel lines (D, Figure 24) for cracks or leaks. If it is necessary, replace the fuel lines.
5. Replace the fuel filter (A, Figure 24).
6. Attach the fuel lines (D, Figure 24) with clamps (C).

Servicing the Cooling System



WARNING
During operation, the engine and muffler become hot. If you touch a hot engine, thermal burns can occur.

Combustible debris, such as leaves, grass, and brush can catch fire.

- Before you touch the engine or muffler, stop the engine and wait two (2) minutes. Make sure that the engine and muffler are safe to touch.
- Remove debris from the muffler and engine.

NOTICE

Do not use water to clean the engine. Water could cause contamination of the fuel system. Use a brush or dry cloth to clean the engine.

This is an air cooled engine. Dirt or debris can prevent air flow and cause the engine to become too hot and result in unsatisfactory performance and decreased engine life.

1. Use a brush or dry cloth to remove debris from the air intake grille.
2. Keep linkage, springs, and controls clean.
3. Keep the area around and behind the muffler, if equipped, free of combustible debris.
4. Make sure the oil cooler fins, if equipped, are clean.

After a period of time, the cylinder cooling fins can collect debris and cause the engine to overheat. This unwanted material cannot be removed without partial disassembly of the engine. Have a Briggs & Stratton Authorized Service Dealer inspect and clean the air cooling system as recommended in the **Maintenance Schedule**.

Storage

Fuel System

Refer to Figure: 25.



WARNING
Fuel and its vapors are flammable and explosive. Fire or explosion could result in burns or death.

Fuel Storage

- Because pilot lights or other ignition sources can cause explosions, keep fuel or equipment away from furnaces, stoves, water heaters or other appliances that have pilot lights.

Keep the engine level (normal operating position). Fill the fuel tank (A, Figure 25) with fuel. For fuel expansion, do not fill above the fuel tank neck (B).

Fuel can become stale when kept in a storage container for more than 30 days. The use of an alcohol-free fuel stabilizer and ethanol treatment in the fuel storage container is recommended to prevent fuel degradation and keep the fuel fresh.

When you fill the fuel container with fuel, add an alcohol-free fuel stabilizer as specified by the manufacturer's instructions. If gasoline in the engine has not been treated with a fuel stabilizer, it must be drained into an approved container. Operate the engine until it is out of fuel.

Engine Oil

While the engine is still warm, change the engine oil. Refer to **Change the Engine Oil** section.

Troubleshooting

Assistance

For assistance, contact your local dealer or go to **BRIGGSandSTRATTON.COM** or call **1-800-444-7774** (in USA).

Specifications

Specifications and Service Parts

MODELS: 290000, 300000	
Displacement	29.23 ci (479 cc)
Bore	2.677 in (68 mm)
Stroke	2.598 in (66 mm)
Oil Capacity	46 - 48 oz (1,36 - 1,42 L)
Spark Plug Gap	.030 in (.76 mm)
Spark Plug Torque	180 lb-in (20 Nm)
Armature Air Gap - Carburetor Models	.008 - .012 in (.20 - .30 mm)
Intake Valve Clearance	.004 - .006 in (.10 - .15 mm)

MODELS: 290000, 300000

Exhaust Valve Clearance	.004 - .006 in (.10 - .15 mm)
-------------------------	-------------------------------

MODEL: 350000

Displacement	34.78 ci (570 cc)
Bore	2.835 in (72 mm)
Stroke	2.756 in (70 mm)
Oil Capacity	46 - 48 oz (1,36 - 1,42 L)
Spark Plug Gap	.030 in (.76 mm)
Spark Plug Torque	180 lb-in (20 Nm)
Armature Air Gap - Carburetor Models	.008 - .012 in (.20 - .30 mm)
Intake Valve Clearance	.004 - .006 in (.10 - .15 mm)
Exhaust Valve Clearance	.004 - .006 in (.10 - .15 mm)

MODEL: 380000

Displacement	38.26 ci (627 cc)
Bore	2.972 in (75,5 mm)
Stroke	2.756 in (70 mm)
Oil Capacity	46 - 48 oz (1,36 - 1,42 L)
Spark Plug Gap	.030 in (.76 mm)
Spark Plug Torque	180 lb-in (20 Nm)
Armature Air Gap - Carburetor Models	.008 - .012 in (.20 - .30 mm)
Intake Valve Clearance	.004 - .006 in (.10 - .15 mm)
Exhaust Valve Clearance	.004 - .006 in (.10 - .15 mm)

Engine power will decrease 3.5% for each 1,000 feet (300 meters) above sea level and 1% for each 10°F (5.6°C) above 77°F (25°C). The engine will operate satisfactorily at an angle up to 15°. Refer to the equipment Operator's Manual for safe permitted operating limits on slopes.

MODELS: 290000, 300000, 350000, 380000

Service Part	Part Number
Air Filter (with fuel tank, Figure 23)	383857
Air Filter (except Model 380000, Figure 22)	394018
Air Filter (Model 380000, 22)	692519
Air Filter, Pre-cleaner (with fuel tank, Figure 23)	271794
Air Filter, Pre-cleaner (except Model 380000, Figure 22)	272490
Air Filter, Pre-cleaner (Model 380000, Figure 22)	692520
Oil - SAE 30	100028
Oil Filter	842921
Fuel Filter (with fuel tank)	808116
Fuel Filter (with fuel pump)	845125
Fuel Filter (without fuel pump)	298090
Resistor Spark Plug	491055S
Long Life Platinum Spark Plug	696202, 5066K
Spark Plug Wrench	19576S
Spark Tester	84003327

We recommend that you see a Briggs & Stratton Authorized Dealer for all maintenance and servicing of the engine and engine parts.

Power Ratings

The gross power rating for individual gasoline engine models is labeled in accordance with SAE (Society of Automotive Engineers) code J1940 Small Engine Power & Torque Rating Procedure, and is rated in accordance with SAE J1995. Torque values are derived at 2600 RPM for those engines with "rpm" called out on the label and 3060 RPM for all others; horsepower values are derived at 3600 RPM. The gross power curves can be viewed at www.BRIGGSandSTRATTON.COM. Net power values are taken with exhaust and air cleaner installed whereas gross power values are collected without these attachments. Actual gross engine power will be higher than net engine power and is affected by, among other things, ambient operating conditions and engine-to-engine variability. Given the wide array of products on which engines are placed, the gasoline engine may not develop the rated gross power when used in a given piece of power equipment. This difference is due to a variety of factors including, but not limited to, the variety of engine components (air cleaner, exhaust, charging, cooling, carburetor, fuel pump, etc.), application limitations, ambient operating conditions (temperature, humidity,

altitude), and engine-to-engine variability. Due to manufacturing and capacity limitations, Briggs & Stratton may substitute an engine of higher rated power for this engine.

Warranty

Briggs & Stratton® Engine Warranty

Effective August 2022

Limited Warranty

Briggs & Stratton warrants that, during the warranty period specified below, it will repair or replace, free of charge, with a new, reconditioned or re-manufactured part, at the sole discretion of Briggs & Stratton, any part that is defective in material or workmanship or both. Transportation charges on product submitted for repair or replacement under this warranty must be borne by purchaser. This warranty is effective for and is subject to the time periods and conditions stated below. For warranty service, find the nearest Authorized Service Dealer in our dealer locator map at BRIGGSandSTRATTON.COM. The purchaser must contact the Authorized Service Dealer, and then make the product available to the Authorized Service Dealer for inspection and testing.

There is no other express warranty. Implied warranties, including those of merchantability and fitness for a particular purpose, are limited to one year from purchase, or to the extent permitted by law. All other implied warranties are excluded. Liability for incidental or consequential damages are excluded to the extent exclusion is permitted by law. Some states or countries do not allow limitations on how long an implied warranty lasts, and some states or countries do not allow the exclusion or limitation of incidental or consequential damages, so the above limitation and exclusion may not apply to you. This warranty gives you specific legal rights and you may also have other rights which vary from state to state and country to country.

Standard Warranty Terms ^{1, 2}
Vanguard®; Commercial Series
Consumer Use - 36 months
Commercial Use - 36 months
XR Series
Consumer Use - 24 months
Commercial Use - 24 months
All Other Engines Featuring Dura-Bore™ Cast Iron Sleeve
Consumer Use - 24 months
Commercial Use - 12 months
All Other Engines
Consumer Use - 24 months
Commercial Use - 3 months

¹These are our standard warranty terms, but occasionally there may be additional warranty coverage that was not determined at time of publication. For a listing of current warranty terms for your engine, go to BRIGGSandSTRATTON.COM or contact your Briggs & Stratton Authorized Service Dealer.

²There is no warranty for engines on equipment used for prime power in place of a utility; standby generators used for commercial purposes, utility vehicles exceeding 25 MPH, or engines used in competitive racing or on commercial or rental tracks.

* In Australia - Our goods come with guarantees that cannot be excluded under the Australian Consumer Law. You are entitled to a replacement or refund for a major failure and for compensation for any other reasonably foreseeable loss or damage. You are also entitled to have the goods repaired or replaced if the goods fail to be of acceptable quality and the failure does not amount to a major failure. For warranty service, find the nearest Authorized Service Dealer in our dealer locator map at BRIGGSandSTRATTON.COM, or by calling 1300 274 447, or by emailing or writing to salesenquiries@briggsandstratton.com.au, Briggs & Stratton Australia Pty Ltd, 1 Moorebank Avenue, Moorebank, NSW, Australia, 2170.

The warranty period begins on the date of purchase by the first retail consumer or commercial end user, and continues for the period of time stated in the table above. "Consumer use" means personal residential household use by a retail consumer. "Commercial use" means all other uses, including use for commercial, income producing or rental purposes. Once an engine has experienced commercial use, it shall thereafter be considered as a commercial use engine for purposes of this warranty.

No warranty registration is necessary to obtain warranty on Briggs & Stratton products. Save your proof of purchase receipt. If you do not provide proof of the initial purchase date at the time warranty service is requested, the manufacturing date of the product will be used to determine the warranty period.

About Your Warranty

This limited warranty covers engine-related material and/or workmanship issues only, and not replacement or refund of the equipment to which the engine may be mounted. Routine maintenance, tune-ups, adjustments, or normal wear and tear are not covered

under this warranty. Similarly, warranty is not applicable if the engine has been altered or modified or if the engine serial number has been defaced or removed. This warranty does not cover engine damage or performance problems caused by:

1. The use of parts that are not original Briggs & Stratton parts;
2. Operating the engine with insufficient, contaminated, or an incorrect grade of lubricating oil;
3. The use of contaminated or stale fuel, gasoline formulated with ethanol greater than 10%, or the use of alternative fuels such as liquefied petroleum or natural gas on engines not originally designed/manufactured by Briggs & Stratton to operate on such fuels;
4. Dirt which entered the engine because of improper air cleaner maintenance or reassembly;
5. Striking an object with the cutter blade of a rotary lawn mower, loose or improperly installed blade adapters, impellers, or other crankshaft coupled devices, or excessive v-belt tightness;
6. Associated parts or assemblies such as clutches, transmissions, equipment controls, etc., which are not supplied by Briggs & Stratton;
7. Overheating due to grass clippings, dirt and debris, or rodent nests which plug or clog the cooling fins or flywheel area, or by operating the engine without sufficient ventilation;
8. Excessive vibration due to over-speeding, loose engine mounting, loose or unbalanced cutter blades or impellers, or improper coupling of equipment components to the crankshaft;
9. Misuse, lack of routine maintenance, shipping, handling, or warehousing of equipment, or improper engine installation.

Warranty service is available only through Briggs & Stratton Authorized Service Dealers. Locate your nearest Authorized Service Dealer in our dealer locator map at BRIGGSandSTRATTON.COM or by calling 1-800-444-7774 (in USA).

80114782 (Revision A)

Briggs & Stratton Emissions Warranty

California, U.S. EPA, and Briggs & Stratton, LLC Emissions Control Warranty - Your Warranty Rights and Obligations For Briggs & Stratton Engine Models with "F" Trim Designation (Model-Type-Trim Representation xxxxxx xxxx Fx)

The California Air Resources Board, U.S. EPA, and Briggs & Stratton (B&S) are pleased to explain the exhaust and evaporative emissions ("emissions") control system warranty on your 2022-2024 engine. In California, new equipment that use small off-road engines must be designed, built, and equipped to meet the State's stringent anti-smog standards. B&S must warrant the emissions control system on your engine/equipment for the periods of time listed below provided there has been no abuse, neglect or improper maintenance of your small off-road engine or equipment leading to the failure of the emissions control system.

Your emissions control system may include parts such as the carburetor or fuel-injection system, the ignition system, catalytic converter, fuel tanks, fuel lines (for liquid fuel and fuel vapors), fuel caps, valves, canisters, filters, clamps and other associated components. Also included may be hoses, belts, connectors, and other emission-related assemblies.

Where a warrantable condition exists, B&S will repair your engine/equipment at no cost to you including diagnosis, parts, and labor.

Manufacturer's Warranty Coverage:

The exhaust and evaporative emissions control system on your engine/equipment is warranted for two years. If any evaporative emission-related part on your engine/equipment is defective, the part will be repaired or replaced by B&S.

Owner's Warranty Responsibilities:

- As the engine/equipment owner, you are responsible for the performance of the required maintenance listed in your owner's manual. B&S recommends that you retain all receipts covering maintenance on your engine, but B&S cannot deny warranty coverage solely for the lack of receipts or for your failure to ensure the performance of all scheduled maintenance.
- As the engine/equipment owner, you should however be aware that B&S may deny you warranty coverage if your engine/equipment or a part has failed due to abuse, neglect, or improper maintenance or unapproved modifications.
- You are responsible for presenting your engine/equipment to a B&S distribution center or service center as soon as the problem exists. The warranty repairs shall be completed in a reasonable amount of time, not to exceed 30 days. If you have a question regarding your warranty rights and responsibilities, you should contact B&S at 1-800-444-7774 (in USA) or BRIGGSandSTRATTON.COM.

Briggs & Stratton Emissions Control Warranty Provisions

The following are specific provisions relative to your Emissions Control Warranty Coverage. It is in addition to the B&S engine warranty for non-regulated engines found in the Operator's Manual.

1. **Warranted Emissions Parts**
Coverage under this warranty extends only to the parts listed below (the emissions control systems parts) to the extent these parts were present on the B&S engine and/or B&S supplied fuel system.

a. **Fuel Metering System**

- Cold start enrichment system (soft choke)
- Carburetor or fuel injection system
- Oxygen sensor
- Electronic control unit
- Fuel pump module
- Fuel line (for liquid fuel and fuel vapors), fuel line fittings, clamps
- Fuel tank, cap and tether
- Carbon canister and mounting bracket
- Pressure relief valves
- Liquid/Vapor separator

b. **Air Induction System**

- Air cleaner
- Intake manifold
- Purge and vent line

c. **Ignition System**

- Spark plug(s)
- Magneto ignition system

d. **Catalyst System**

- Catalytic converter
- Exhaust manifold
- Air injection system or pulse valve

e. **Miscellaneous Items Used in Above Systems**

- Vacuum, temperature, position, time sensitive valves and switches
- Connectors and assemblies
- Electronic controls

2. **Length of Coverage**

Coverage is for a period of two years from the date of delivery to an ultimate purchaser, or for the time period listed in the respective engine or product warranty statement, whichever is greater. B&S warrants to the original purchaser and each subsequent purchaser that the engine is designed, built, and equipped so as to conform with all applicable regulations adopted by the Air Resources Board; that it is free from defects in material and workmanship that could cause the failure of a warranted part; and that it is identical in all material respects to the engine described in the manufacturer's application for certification. The warranty period begins on the date the engine or equipment is delivered to an ultimate purchaser.

The warranty on emissions-related parts is as follows:

- Any warranted part that is not scheduled for replacement as required maintenance in the Operator's Manual supplied, is warranted for the warranty period stated above. If any such part fails during the period of warranty coverage, the part will be repaired or replaced by B&S at no charge to the owner. Any such part repaired or replaced under the warranty will be warranted for the remaining warranty period.
- Any warranted part that is scheduled only for regular inspection in the Operator's Manual supplied, is warranted for the warranty period stated above. Any such part repaired or replaced under warranty will be warranted for the remaining warranty period.
- Any warranted part that is scheduled for replacement as required maintenance in the Operator's Manual supplied, is warranted for the period of time prior to the first scheduled replacement point for that part. If the part fails prior to the first scheduled replacement, the part will be repaired or replaced by B&S at no charge to the owner. Any such part repaired or replaced under warranty will be warranted for the remainder of the period prior to the first scheduled replacement point for the part.
- Add-on or modified parts that are not exempted by the Air Resources Board may not be used. The use of any non-exempted add-on or modified parts by the owner will be grounds for disallowing a warranty claim. The manufacturer will not be liable to warrant failures of warranted parts caused by the use of a non-exempted add-on or modified part.

3. **Consequential Coverage**

Coverage shall extend to the failure of any engine components caused by the failure of any warranted emissions parts.

4. **Claims and Coverage Exclusions**

Warranty claims shall be filed according to the provisions of the B&S engine warranty policy. Warranty coverage does not apply to failures of emissions parts that are not original equipment B&S parts or to parts that fail due to abuse, neglect, or improper maintenance as set forth in the B&S engine warranty policy. B&S is not liable for warranty coverage of failures of emissions parts caused by the use of add-on or modified parts.

Look For Relevant Emissions Durability Period and Air Index Information On Your Small Off-Road Engine Emissions Label

Engines that are certified to meet the California Air Resources Board (CARB) small off-road Emissions Standard must display information regarding the Emissions Durability Period and the Air Index. Briggs & Stratton makes this information available to the consumer on our emissions labels. The engine emissions label will indicate certification information.

The **Emissions Durability Period** describes the number of hours of actual running time for which the engine is certified to be emissions compliant, assuming proper maintenance in accordance with the Operator's Manual. The following categories are used:

Moderate:

Engines at or less than 80 cc displacement are certified to be emissions compliant for 50 hours of actual engine running time. Engines greater than 80 cc displacement are certified to be emissions compliant for 125 hours of actual engine running time.

Intermediate:

Engines at or less than 80 cc displacement are certified to be emissions compliant for 125 hours of actual engine running time. Engines greater than 80 cc displacement are certified to be emissions compliant for 250 hours of actual engine running time.

Extended:

Engines at or less than 80 cc displacement are certified to be emissions compliant for 300 hours of actual engine running time. Engines greater than 80 cc displacement are certified to be emissions compliant for 500 hours of actual engine running time.

For example, a typical walk-behind lawn mower is used 20 to 25 hours per year. Therefore, the **Emissions Durability Period** of an engine with an **intermediate** rating would equate to 10 to 12 years.

Briggs & Stratton engines are certified to meet the United States Environmental Protection Agency (USEPA) Phase 2 or Phase 3 emissions standards. The Emissions Compliance Period referred to on the Emissions Compliance label indicates the number of operating hours for which the engine has been shown to meet Federal emissions requirements.

For engines at or less than 80 cc displacement:

Category C = 50 hours, Category B = 125 hours, Category A = 300 hours

For engines greater than 80 cc displacement and less than 225 cc displacement:

Category C = 125 hours, Category B = 250 hours, Category A = 500 hours

For engines of 225 cc or more displacement:

Category C = 250 hours, Category B = 500 hours, Category A = 1000 hours

80111491 (Revision A)

Briggs & Stratton Emissions Warranty

California, U.S. EPA, and Briggs & Stratton, LLC Emissions Control Warranty - Your Warranty Rights and Obligations

For Briggs & Stratton Engine Models with "B" or "G" Trim Designation (Model-Type-Trim Representation xxxxxx xxxx Bx or xxxxxx xxxx Gx)

The California Air Resources Board, U.S. EPA, and Briggs & Stratton (B&S) are pleased to explain the exhaust emissions ("emissions") control system warranty on your 2022-2024 engine. In California, new small off-road engines and large spark ignited engines less than or equal to 1.0 liter must be designed, built, and equipped to meet the State's stringent anti-smog standards. B&S must warrant the emissions control system on your engine for the periods of time listed below provided there has been no abuse, neglect or improper maintenance of your small off-road engine or equipment leading to the failure of the emissions control system.

Your emissions control system may include parts such as the carburetor or fuel-injection system, the ignition system, catalytic converter, fuel tanks, fuel lines (for liquid fuel and fuel vapors), fuel caps, valves, canisters, filters, clamps and other associated components. Also included may be hoses, belts, connectors, and other emission-related assemblies.

Where a warrantable condition exists, B&S will repair your engine at no cost to you including diagnosis, parts, and labor.

Manufacturer's Warranty Coverage:

The exhaust emissions control system on your engine is warranted for two years. If any emissions-related part on your engine is defective, the part will be repaired or replaced by B&S.

Owner's Warranty Responsibilities:

- As the engine owner, you are responsible for the performance of the required maintenance listed in your owner's manual. B&S recommends that you retain all receipts covering maintenance on your engine, but B&S cannot deny warranty coverage solely for the lack of receipts or for your failure to ensure the performance of all scheduled maintenance.
- As the engine owner, you should however be aware that B&S may deny you warranty coverage if your engine or a part has failed due to abuse, neglect, or improper maintenance or unapproved modifications.
- You are responsible for presenting your engine to a B&S distribution center or service center as soon as the problem exists. The warranty repairs shall be completed in a reasonable amount of time, not to exceed 30 days. If you have a question regarding your warranty rights and responsibilities, you should contact B&S at 1-800-444-7774 (in USA) or BRIGGSandSTRATTON.COM.

Briggs & Stratton Emissions Control Warranty Provisions

The following are specific provisions relative to your Emissions Control Warranty Coverage. It is in addition to the B&S engine warranty for non-regulated engines found in the Operator's Manual.

1. Warranted Emissions Parts

Coverage under this warranty extends only to the parts listed below (the emissions control systems parts) to the extent these parts were present on the B&S engine.

a. Fuel Metering System

- Cold start enrichment system (soft choke)
- Carburetor or fuel injection system
- Oxygen sensor
- Electronic control unit
- Fuel pump module

b. Air Induction System

- Air cleaner
- Intake manifold

c. Ignition System

- Spark plug(s)
- Magneto ignition system

d. Catalyst System

- Catalytic converter
- Exhaust manifold
- Air injection system or pulse valve

e. Miscellaneous Items Used in Above Systems

- Vacuum, temperature, position, time sensitive valves and switches
- Connectors and assemblies
- Electronic controls

2. Length of Coverage

Coverage is for a period of two years from the date of delivery to an ultimate purchaser, or for the time period listed in the respective engine or product warranty statement, whichever is greater. B&S warrants to the original purchaser and each subsequent purchaser that the engine is designed, built, and equipped so as to conform with all applicable regulations adopted by the Air Resources Board; that it is free from defects in material and workmanship that could cause the failure of a warranted part; and that it is identical in all material respects to the engine described in the manufacturer's application for certification. The warranty period begins on the date the engine or equipment is delivered to an ultimate purchaser.

The warranty on emissions-related parts is as follows:

- Any warranted part that is not scheduled for replacement as required maintenance in the Operator's Manual supplied, is warranted for the warranty period stated above. If any such part fails during the period of warranty coverage, the part will be repaired or replaced by B&S at no charge to the owner. Any such part repaired or replaced under the warranty will be warranted for the remaining warranty period.
- Any warranted part that is scheduled only for regular inspection in the Operator's Manual supplied, is warranted for the warranty period stated above. Any such part repaired or replaced under warranty will be warranted for the remaining warranty period.
- Any warranted part that is scheduled for replacement as required maintenance in the Operator's Manual supplied, is warranted for the period of time prior to the first scheduled replacement point for that part. If the part fails prior to the first scheduled replacement, the part will be repaired or replaced by B&S at no charge to the owner. Any such part repaired or replaced under warranty will be warranted for the remainder of the period prior to the first scheduled replacement point for the part.
- Add-on or modified parts that are not exempted by the Air Resources Board may not be used. The use of any non-exempted add-on or modified parts by the owner will be grounds for disallowing a warranty claim. The manufacturer will not be liable for warranty failures of warranted parts caused by the use of a non-exempted add-on or modified part.

3. Consequential Coverage

Coverage shall extend to the failure of any engine components caused by the failure of any warranted emissions parts.

4. Claims and Coverage Exclusions

Warranty claims shall be filed according to the provisions of the B&S engine warranty policy. Warranty coverage does not apply to failures of emissions parts that are not original equipment B&S parts or to parts that fail due to abuse, neglect, or improper maintenance as set forth in the B&S engine warranty policy. B&S is not liable for warranty coverage of failures of emissions parts caused by the use of add-on or modified parts.

Look For Relevant Emissions Durability Period and Air Index Information On Your Small Off-Road Engine Emissions Label

Engines that are certified to meet the California Air Resources Board (CARB) small off-road Emissions Standard must display information regarding the Emissions Durability Period and the Air Index. Briggs & Stratton makes this information available to the consumer on our emissions labels. The engine emissions label will indicate certification information.

The **Emissions Durability Period** describes the number of hours of actual running time for which the engine is certified to be emissions compliant, assuming proper maintenance in accordance with the Operator's Manual. The following categories are used:

Moderate:

Engines at or less than 80 cc displacement are certified to be emissions compliant for 50 hours of actual engine running time. Engines greater than 80 cc displacement are certified to be emissions compliant for 125 hours of actual engine running time.

Intermediate:

Engines at or less than 80 cc displacement are certified to be emissions compliant for 125 hours of actual engine running time. Engines greater than 80 cc displacement are certified to be emissions compliant for 250 hours of actual engine running time.

Extended:

Engines at or less than 80 cc displacement are certified to be emissions compliant for 300 hours of actual engine running time. Engines greater than 80 cc displacement are certified to be emissions compliant for 500 hours of actual engine running time.

For example, a typical walk-behind lawn mower is used 20 to 25 hours per year. Therefore, the **Emissions Durability Period** of an engine with an **intermediate** rating would equate to 10 to 12 years.

Briggs & Stratton engines are certified to meet the United States Environmental Protection Agency (USEPA) Phase 2 or Phase 3 emissions standards. The Emissions Compliance Period referred to on the Emissions Compliance label indicates the number of operating hours for which the engine has been shown to meet Federal emissions requirements.

For engines at or less than 80 cc displacement:

Category C = 50 hours, Category B = 125 hours, Category A = 300 hours

For engines greater than 80 cc displacement and less than 225 cc displacement:

Category C = 125 hours, Category B = 250 hours, Category A = 500 hours

For engines of 225 cc or more displacement:

Category C = 250 hours, Category B = 500 hours, Category A = 1000 hours

80111486 (Revision A)

Not for reproduction

Generelle informationer



Denne vejledning indeholder sikkerhedsoplysninger om farer og risici i forbindelse med denne motor, og den forklarer dig, hvordan du forhindrer dem. Den indeholder ligeledes oplysninger om korrekt anvendelse og vedligeholdelse af denne motor. Det er vigtigt, at du læser, forstår og overholder disse instruktioner. **Gem denne manuel til senere brug.**

BEMÆRK: Figurerne og illustrationerne i denne vejledning er udelukkende en reference, og de kan være anderledes end din model. Brug de figurer, der passer til din motorkonfiguration. Kontakt en autoriseret serviceforhandler efter behov.

For at kunne få reservedele skal du registrere købsdatoen, motorens model, type og trim, og serienummeret. Disse numre er placeret på din motor. Se afsnittet **Funktioner og betjeningsanordninger**.

Købsdato	
Motormodel - Type - Trim	
Motorserienummer	

Kontaktoplysninger for europæisk kontor

For spørgsmål vedrørende europæisk emission bedes du kontakte vores europæiske kontor på:

Max-Born-Straße 2, 68519 Viernheim, Tyskland.

Europæiske Union (EU) Trin V (5): Kuldioxid-værdier (CO₂)

Indtast CO₂ i søgevinduet på BriggsandStratton.com for at finde kuldioxid-værdier for Briggs & Stratton EU-typegodkendelsescertifikat for motorer.

Information om genbrug



Genbrug alle kartoner, æsker, brugt olie og batterier i henhold til de gældende regeringsbestemmelser.

Førersikkerhed

Sikkerhedssymboler og signalord

Sikkerhedsadvarselssymbolet  identificerer sikkerhedsoplysninger om farer, der kan medføre personskade. Et signalord (**FARE**, **ADVARSEL** eller **FORSIGTIG**) bliver brugt for at illustrere sandsynligheden for og den mulige grad af personskade. Desuden bruges et faresymbol til at illustrere faretypen.







FARE indikerer en fare, som, hvis den ikke undgås, vil forårsage dødsfald eller alvorlig personskade.





ADVARSEL indikerer en fare, som, hvis den ikke undgås, kan forårsage dødsfald eller alvorlig personskade.

FORSIGTIG indikerer en farlig situation, som, hvis den ikke undgås, kan medføre alvorlig eller moderat personskade.

BEMÆRK angiver oplysninger, der anses som vigtige, men som ikke vedrører farer.

Faresymboler og deres betydninger

	Sikkerhedsinformation om farer, som kan resultere i personskade.		Læs og forstå brugervejledningen før brug af eller servicering af enheden.
	Brandfare		Eksplosionsfare
	Fare for stød		Fare for giftige dampe

	Fare fra varm overflade		Fare for tilbageslag
	Fare for amputation - Bevægelige dele		Brændstofdiveau - Maks. Undgå at overfylde

Sikkerhedsmeddelelser



ADVARSEL
Briggs & Stratton®-motorer er ikke designet til og må ikke bruges til at drive: fun-karts; go-karts; terrængående børne-, fritids- eller sportskøretøjer (ATV'er); motorcykler, hovercraft; luftfartsprodukter eller køretøjer, der anvendes til konkurrenceformål, som ikke er sanktioneret af Briggs & Stratton. For yderligere oplysninger om racingprodukter se www.briggsracing.com. For brug med terrængående og side-by-side ATV'er kontakt Briggs & Stratton Power Application Center, 1-866-927-3349. Forkert motorbrug kan medføre alvorlig personskade eller dødsfald.



ADVARSEL
Benzin og benzindampe er brændbare og eksplosive. Brand eller eksplosion kan medføre forbrændinger eller dødsfald.

Når du påfylder brændstof

- Stop motoren. Inden du fjerner brændstofdækslet, skal du vente mindst to (2) minutter for at sikre dig, at motoren er nedkølet.
- Fyld brændstoftanken udendørs eller i et område med god luftgennemstrømning.
- Påfyld ikke for meget brændstof i tanken. Fyld ikke over bunden af brændstoftankens hals, så der er plads til at brændstoffet kan udvide sig.
- Hold benzin væk fra gnister, åben ild, tændflammer, varme eller andre antændelseskilder.
- Undersøg ofte brændstoffedninger, brændstoftank, brændstofdæksel og tilslutninger for revner eller lækager. Udskift beskadigede dele.
- Hvis der spildes brændstof, skal du vente, indtil det tørrer, inden du starter motoren.

Når du starter motoren

- Sørg for, at tændrør, lydæmper, brændstofdæksel og luftfilter (hvis monteret) er monteret korrekt.
- Prøv ikke at starte motoren med tændrøret fjernet.
- Hvis motoren er oversvømmet, skal du indstille chokeren (hvis monteret) til positionen ÅBEN eller KØR. Flyt gashåndtaget (hvis monteret) til positionen HURTIG, og drej, indtil motoren starter.
- Hvis der er en tætthed af natur- eller LP-gas, må motoren ikke startes.
- Da dampe er brandfarlige, må du ikke bruge startvæsker under tryk.

Når du betjener udstyret

- Vip ikke motoren eller enheden, så brændstoffet løber ud.
- Brug ikke chokeren (hvis monteret) til at stoppe motoren.
- Start, eller betjen ikke motoren, når luftfilterenheden (hvis monteret) eller luftfilteret (hvis monteret) er fjernet.

Når du udfører vedligeholdelse

- Hvis du tømmer olien fra oliepåfyldningsrøret i toppen, skal brændstoftanken være tom. Hvis den ikke er tom, kan der forekomme brændstøflækage, og dette kan medføre brand eller eksplosion.
- Under vedligeholdelse, hvis det er nødvendigt at vippe enheden, skal du sørge for, at brændstoftanken, hvis monteret på motoren, er tom, og at tændrørssiden vender opad. Hvis brændstoftanken ikke er tom, kan der forekomme brændstøflækage, og dette kan medføre brand eller eksplosion.
- Undersøg ofte brændstoffedninger, brændstoftank, brændstofdæksel og tilslutninger for revner eller lækager. Udskift beskadigede dele.
- Udskift ikke regulatorfjederen, forbindelser eller andre dele for at øge motorens hastighed.
- Undlad at slå på svinghjulet med en hammer eller hård genstand. Dette kan medføre svigt i svinghjulet under drift.
- Reservedelene skal have samme udformning, og de skal placeres på præcis samme måde som de originale dele. Andre dele kan medføre skade eller personskade.

Når du flytter udstyrets placering

- Sørg for, at brændstoftanken er TOM, eller at brændstofhanen er i LUKKET-stilling.

Når brændstof eller udstyr opbevares med brændstof i brændstoftanken

- Da en tændflamme eller andre antændelseskilder kan forårsage eksplosioner, skal du holde brændstof eller udstyr på afstand af fyr, ovne, vandvarmere eller andre enheder, der har en tændflamme.



ADVARSEL

Benzin og benzindampe er brændbare og eksplosive. Brand eller eksplosion kan medføre forbrændinger eller dødsfald.

Motorstart medfører gnister, der kan medføre brand eller eksplosion.

- Hvis der er en utæthed af natur- eller LP-gas, må motoren ikke startes.
- Da dampe er brandfarlige, må du ikke bruge startvæsker under tryk.



ADVARSEL

FARE FOR GIFTIGE GASSER. Motorudstødning indeholder kulilte, som er en giftig gas, der kan dræbe på få minutter. Selvom du ikke kan lugte udstødningsgasser, kan du stadigvæk være udsat for kulilteforgiftning. Hvis du får kvalme, føler dig svimmel eller svag, mens du bruger dette produkt, skal du have frisk luft MED DET SAMME. Søg lægehjælp. Du kan være blevet udsat for kulilteforgiftning.

- Kulilte kan opsamles i brugte områder. For at mindske risikoen for kuliltegas skal du KUN bruge dette produkt udendørs og langt væk fra vinduer, døre og åbninger.
- Installer batteridrevne kuliltealarmer eller strømtilsluttede alarmer med batterisupport som specificeret i producentens instruktioner. Røgalarmer kan ikke fornemme kulilte.
- Du MÅ IKKE betjene dette produkt indendørs i hjem, garager, kældre, krybekældre, skure eller på andre indelukkede steder, også selvom du bruger ventilatorer eller har åbne døre og vinduer for at sikre ordentlig ventilation. Efter brug af dette produkt kan kulilte hurtigt samles i disse områder og forblive der i flere timer.
- Anbring ALTID dette produkt i vindretningen, og sørg for, at udstødningen peger væk fra steder, hvor der er folk til stede.



ADVARSEL

Hurtig tilbagetrækning af startsnoren (tilbageslag) vil bevirke, at din hånd og arm bliver trukket hurtigere mod motoren, end du kan kontrollere. Konsekvenserne kan være brækkede knogler, skrammer eller forstuvninger.

- For at forhindre tilbageslag når du starter motoren, så træk langsomt i startsnoren, indtil der mærkes modstand, og træk så kraftigt i den.
- Inden du starter motoren, skal du frakoble eller fjerne alt eksternt udstyr og motorbelastninger.
- Sørg for, at direkte tilkoblede dele på udstyret, såsom, men ikke begrænset til, skæreknive, skovlhjul, remskiver, kædehjul, er korrekt monteret.



ADVARSEL

Roterende dele kan gribe fat i hænder, fødder, hår, tøj eller tilbehør og resultere i traumatisk amputation eller flænger.

- Betjen udstyr med sikkerhedsafskærmningerne monteret korrekt.
- Hold hænder og fødder i sikker afstand fra roterende dele.
- Fjern smykker, og sørg for, at langt hår er sat op og væk fra alle roterende dele.
- Bær ikke løstsiddende tøj eller genstande, som kan blive fanget.



ADVARSEL

Under drift bliver motoren og lyddæmperen varm. Hvis du rører ved en varm motor, kan der opstå termiske forbrændinger.

Brændbart materiale, såsom blade, græs og krat, kan blive antændt.

- Før du berører motoren eller lyddæmperen, skal du stoppe motoren og vente to (2) minutter. Sørg for, at motoren og lyddæmperen er sikre at røre ved.
- Fjern affald fra lyddæmperen og motoren.

Det er en overtrædelse af staten Californiens forskrifter om offentlige ressourcer, afsnit 4442, at bruge eller betjene motoren på ethvert skov-, krat- eller græsdaekket område, medmindre udstødningssystemet er forsynet med en korrekt vedligeholdt gnistfanger som beskrevet i afsnit 4442. Andre stater eller statsretskredse har eventuelt lignende love, se statsforskrift 36 CFR, afsnit 261.52. Kontakt en autoriseret fabrikant eller serviceforhandler angående anskaffelse af en gnistfanger, der er konstrueret til det udstødningssystem, der er monteret på den pågældende maskine.



ADVARSEL

Utsigtede gnister fra motoren kan forårsage elektrisk stød, brand eller eksplosion samt indfiltring, traumatisk amputation eller flænger.

Før du foretager justeringer eller reparationer:

- Fjern alle tændrørskablerne fra tændrøret og opbevar dem i sikker afstand fra tændrørene.
- Afbryd batterikablet fra den negative pol (gælder kun motorer med elektrisk start).
- Brug kun passende værktøj.

Når du tjekker for gnister:

- Brug en godkendt tændrørstester.
- Test ikke for gnister med tændrøret fjernet.



ADVARSEL

Benzindampe er brændbare og eksplosive. Brand eller eksplosion kan medføre forbrændinger eller dødsfald.

Hvis du kan lugte gas

- Start ikke motoren.
- Tænd ikke for elektriske kontakter.
- Brug ikke en telefon i nærheden.
- Evakuer området.
- Kontakt gasforsyningen eller alarmcentralen.

Funktioner og betjeningsanordninger









Motorens betjeningslementer

Sammenlign henvisningsbogstaverne i figur 1, 2, 3 og 4 med motorens betjeningslementer på den følgende liste:

- A. Motorens identifikationsnumre **Model-, type- og kodenummer**
- B. Tændrør
- C. Luffilter (uden brændstoftank)
- D. Luffilter (med brændstoftank)
- E. Oliepind
- F. Oliepåfyldning
- G. Oliefilter (hvis installeret)
- H. Olieaftappingsprop
- I. Olietrykfølør
- J. Fingerværn
- K. Elektrisk starter
- L. Tilbageløbsstart (hvis installeret)
- M. Karburator - Karburatormodeller
- N. Lyddæmper
- O. Brændstofpumpe
- P. Starterkontakt¹
- Q. Gasregulator¹
- R. Chokerregulator¹
- S. Brændstoffilter (hvis installeret)
- T. Brændstoftank
- U. Brændstofhane (hvis installeret)¹
- V. Stopkontakt (hvis installeret)¹
- W. Oliekøler (hvis monteret)
- X. Brændstofpumpemodul - EFI-modeller
- Y. Elektronisk kontrolmodul - EFI-modeller
- Z. Brændstofinjektor - EFI-modeller

¹ Nogle motorer og noget udstyr har fjernbetjening. Se udstyrsmanualen for placering og betjening af fjernbetjeningen.

Motorfaresymboler og deres betydninger

 Motorhastighed - HURTIG	 Motorhastighed - LANGSOM
 Motorhastighed - STOP	 TÆND - SLUK
 Motorstart Choker LUKKET	 Motorstart Choker ÅBEN
 Brændstofdæksel Brændstofhane ÅBEN	 Brændstofhane LUKKET

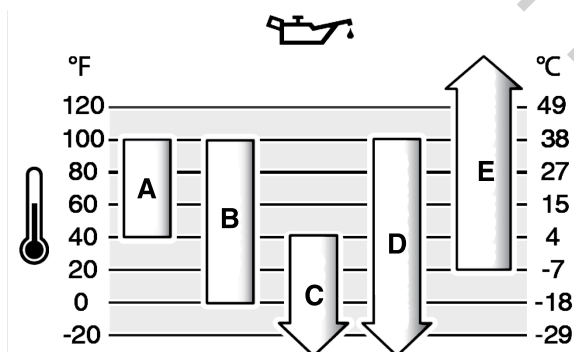
Betjening

Olieanbefalinger

Oliekapacitet: Se afsnittet *Specifikationer*.

Vi anbefaler at bruge olie, der er certificeret af Briggs & Stratton® for at opnå den bedste ydeevne. Andre selvrensende olier af høj kvalitet er tilladt, hvis de er godkendt til SF-, SG-, SH-, SJ-service eller højere. Undlad at bruge specielle tilsætningsstoffer.

Brug skemaet til at vælge den bedste viskositet til det forventede udendørstemperaturinterval. Motorer i det meste udstyr til udendørs brug kører godt med syntetisk olie 5W-30. Til udstyr, der bruges i varmere temperaturer, yder Vanguard® 15W-50 syntetisk olie den bedste beskyttelse.



A	SAE 30 - Under 40 °F (4 °C) vil brugen af SAE 30 gøre det svært at starte.
B	10W-30 - Over 80 °F (27 °C) kan brugen af 10W-30 medføre forhøjet olieforbrug. Kontroller olieniveauet ofte.
C	5W-30
D	Syntetisk 5W-30
E	Vanguard® syntetisk 15W-50

Kontroller oliestanden

Før du tjekker eller påfylder olie

- Kontrollér, at motoren står plant.
- Rengør oliepåfyldningsområdet for affald.
- Se afsnittet *Specifikationer* mht. oliekapacitet.

BEMÆRK

Denne motor blev leveret af Briggs & Stratton uden olie. Producenter eller forhandlere af udstyret kan have fyldt olie på motoren. Inden du starter motoren første gang, skal du sørge for, at olien er ved det rigtige niveau. Tilsæt olie som angivet i instruktionerne i denne vejledning. Hvis du starter motoren uden olie, vil den blive beskadiget og vil ikke blive repareret under garantien.

1. Tag oliepinden ud (A, figur 5), og rengør den med en klud.
2. Sæt oliepinden i, og spænd den (A, figur 5).
3. Træk oliepinden op, og kontrollér oliestanden. Sørg for, at olieniveauet når op til toppen af fuld-mærket (B, figur 5) på oliepinden.
4. Hvis oliestanden er for lav, skal du langsomt påfylde olie i motoroliepåfyldningen (C, figur 5). Hæld ikke for meget olie på.

5. Vent et minut og kontrollér oliestanden igen. Sørg for, at olieniveauet er korrekt.
6. Sæt oliepinden i, og spænd den (A, figur 5).

Beskyttelsessystem for lav oliestand (hvis installeret)

Der er monteret en sensor for lav oliestand på nogle motorer. Hvis oliestanden er lav, viser sensoren enten et advarselslys eller den standser motoren. Stop motoren, og følg disse trin, før du starter motoren.

- Kontrollér, at motoren står plant.
- Foretag en oliekontrol. Se afsnittet *Kontrollér oliestand*.
- Hvis oliestanden er lav, så tilføj den korrekte mængde olie. Start motoren, og sørg for, at advarselslyset (hvis installeret) ikke tændes.
- Hvis oliestanden ikke er lav, må du ikke starte motoren. Kontakt en autoriseret serviceforhandler fra Briggs & Stratton for at få afhjulpet olieproblemet.

Anbefalet brændstof

Brændstoffet skal overholde følgende krav:

- Ren, frisk blyfri benzin.
- Mindst 87 oktan/87 AKI (91 RON). Skal kunne anvendes i højder; se nedenfor.
- Benzin med op til 10 % ætanol (gasohol) er tilladt.

BEMÆRK

Brug ikke ikke-godkendt benzin, såsom E15 og E85. Der må ikke blandes olie i benzin, og der må ikke foretages ændringer på motoren, så den fungerer med alternative brændstoffer. Brug af ikke-godkendt brændstof resulterer i skader på motorkomponenterne, som ikke bliver repareret under garantien.

For at beskytte brændstofsysteget mod korrosion og dannelse af gummi, kan man tilsætte en alkoholfri brændstofstabilisator- og ætanolbehandling. Se afsnittet *Opbevaring*. Brændstoffer er forskellige. Hvis du oplever start- eller driftsproblemer, så skift brændstofleverandør eller -mærke. Motoren er godkendt til at køre på benzin. Emissionskontrolsystemet for motorer med karburator er EM (motormodifikation). Emissionskontrolsystemerne for motorer med elektronisk brændstofindsprøjtning er ECM (motorstyringsmodul), MFI (flerportsindsprøjtning), TBI (gasbrændstofindsprøjtning) og hvis udrustet dermed en O2S (iltsensor).

Højder

Ved højder over 1.524 m (5.000 fod) er benzin med 85 oktan/85 AKI (89 RON) tilladt.

På motorer med karburator skal der foretages højdetilpasning for at vedligeholde ydeevnen. Drift uden disse justeringer vil medføre en nedgang i ydelse, en stigning i brændstofforbrug og øgede emissioner. Kontakt en Briggs & Stratton autoriseret forhandler for oplysninger om højdejusteringer. Drift af en motor, der er justeret til store højder, kan ikke anbefales i højder under 2.500 fod (762 m).

På motorer med elektronisk brændstofindsprøjtning (EFI) er det ikke nødvendigt at foretage justering til brug i højtliggende områder.

Påfyld brændstof



ADVARSEL

Benzin og benzindampe er brændbare og eksplosive. Brand eller eksplosion kan medføre forbrændinger eller dødsfald.

Når du påfylder brændstof

- Stop motoren. Inden du fjerner brændstofdækslet, skal du vente mindst to (2) minutter for at sikre dig, at motoren er nedkølet.
- Fyld brændstoftanken udendørs eller i et område med god luftgennemstrømning.
- Påfyld ikke for meget brændstof i tanken. Fyld ikke over bunden af brændstoftankens hals, så der er plads til at brændstoffet kan udvide sig.
- Hold benzin væk fra gnister, åben ild, tændflammer, varme eller andre antændelseskilder.
- Undersøg ofte brændstoffledninger, brændstoftank, brændstofdæksel og tilslutninger for revner eller lækager. Udskift beskadigede dele.
- Hvis der spildes brændstof, skal du vente, indtil det tørrer, inden du starter motoren.

1. Rengør brændstofdækslet for snavs og affaldsrester. Fjern brændstofdækslet.
2. Fyld brændstoftanken (A, figur 6) med brændstof. Da brændstof udvides, skal du undlade at fylde op over bunden af brændstoftankens hals (B).
3. Sæt dækslet tilbage på plads.

Start motoren



ADVARSEL

Utilsligtede gnister fra motoren kan forårsage elektrisk stød, brand eller eksplosion samt indfiltrering, traumatisk amputation eller flænger.

Før du foretager justeringer eller reparationer:

- Fjern alle tændrørskablerne fra tændrøret og opbevar dem i sikker afstand fra tændrørene.
- Afbryd batterikablet fra den negative pol (gælder kun motorer med elektrisk start).
- Brug kun passende værktøj.

Når du tjekker for gnister:

- Brug en godkendt tændrørstester.
- Test ikke for gnister med tændrøret fjernet.



ADVARSEL

Hurtig tilbagetrækning af startsnoren (tilbageslag) vil bevirke, at din hånd og arm bliver trukket hurtigere mod motoren, end du kan kontrollere. Konsekvenserne kan være brækkede knogler, skrammer eller forstuvninger.

- For at forhindre tilbageslag når du starter motoren, så træk langsomt i startsnoren, indtil der mærkes modstand, og træk så kraftigt i den.
- Inden du starter motoren, skal du frakoble eller fjerne alt eksternt udstyr og motorbelastninger.
- Sørg for, at direkte tilkoblede dele på udstyret, såsom, men ikke begrænset til, skæreknive, skovhjul, remskiver, kædehjul, er korrekt monteret.



ADVARSEL

FARE FOR GIFTIGE GASSER. Motorudstødning indeholder kulilte, som er en giftig gas, der kan dræbe på få minutter. Selvom du ikke kan lugte udstødningsgasser, kan du stadigvæk være udsat for kulilteforgiftning. Hvis du får kvalme, føler dig svimmel eller svag, mens du bruger dette produkt, skal du have frisk luft MED DET SAMME. Søg lægehjælp. Du kan være blevet udsat for kulilteforgiftning.

- Kulilte kan opsamles i brugte områder. Før at mindske risikoen for kuliltegas skal du KUN bruge dette produkt udendørs og langt væk fra vinduer, døre og åbninger.
- Installer batteridrevne kuliltealarmer eller strømtilsluttede alarmer med batterisupport som specificeret i producentens instruktioner. Røgalarmer kan ikke fornemme kulilte.
- Du MÅ IKKE betjene dette produkt indendørs i hjem, garager, kældre, krybekældre, skure eller på andre indelukkede steder, også selvom du bruger ventilatorer eller har åbne døre og vinduer for at sikre ordentlig ventilation. Efter brug af dette produkt kan kulilte hurtigt samles i disse områder og forblive der i flere timer.
- Anbring ALTID dette produkt i vindretningen, og sørg for, at udstødningen peger væk fra steder, hvor der er folk til stede.

BEMÆRK

Denne motor blev leveret af Briggs & Stratton uden olie. Producenter eller forhandlere af udstyret kan have fyldt olie på motoren. Inden du starter motoren første gang, skal du sørge for, at olien er ved det rigtige niveau. Tilsæt olie som angivet i instruktionerne i denne vejledning. Hvis du starter motoren uden olie, vil den blive beskadiget og vil ikke blive repareret under garantien.

BEMÆRK: Dit udstyr kan have fjernbetjening. Se udstyrsmmanualen for placering og betjening af fjernbetjeningerne.

Typer af startsystemer

Før du starter motoren, skal du identificere typen af startsystem på din motor. Din motor har en af følgende systemtyper.

- **Elektronisk brændstofindsprøjtning (EFI):** Et EFI-system har ikke en choker eller en primer.
- **Elektronisk brændstofstyringsystem:** Et elektronisk brændstofstyringsystem har en elektronisk styringsenhed, der overvåger maskin- og temperaturforhold. Den har ikke en manuel choker eller tipperfunktion.
- **Chokersystem:** Denne type system har en choker, der skal bruges i kølige temperaturer. Nogle modeller har en separat chokerregulering, men andre har en kombination af choker- og gasregulering. Denne type har ikke tænding.

Elektronisk brændstofindsprøjtning (EFI)

1. Kontroller motorolien. Se afsnittet **Kontrol af olieniveau**.
2. Sørg for, at udstyrets kørselsbetjeningsanordninger, hvis monteret, er frakoblet.

3. Sæt brændstofhanen (A, figur 7) i positionen ÅBEN, hvis monteret.
4. Sæt stopknappen (F, figur 7, 8), hvis monteret, til positionen TIL.
5. Sæt gasregulatoren (B, figur 8), hvis monteret, i stillingen HURTIG. Betjen motoren i positionen HURTIG.
6. **Trækstart, hvis udstyret med tændingskontakt:** Drej tændingskontakten (D, figur 7, 8) til positionen TIL.
7. **Tilbageløbsstarter, hvis monteret:** Hold fast i startsnorens håndtag med et fast greb (E, figur 7, 8). Træk i startsnorens håndtag, indtil der mærkes modstand, og træk så hurtigt.



ADVARSEL

Hurtig tilbagetrækning af startsnoren (tilbageslag) vil bevirke, at din hånd og arm bliver trukket hurtigere mod motoren, end du kan kontrollere. Konsekvenserne kan være brækkede knogler, skrammer eller forstuvninger. For at forhindre tilbageslag når du starter motoren, så træk langsomt i startsnoren, indtil der mærkes modstand, og træk så kraftigt i den.

8. **Elektrisk starter, hvis monteret:** Drej den elektriske startkontakt (D, figur 7, 8) til positionen TIL eller START.

BEMÆRK Starterens levetid kan forlænges ved at bruge korte startcyklusser (maks. fem sekunder). Vent ét minut mellem startcyklusserne.

Hvis motoren ikke starter efter 3 eller 4 forsøg, skal du kontakte din lokale forhandler, gå til vanguardpower.com eller ringe til 1-800-999-9333.

Elektronisk brændstofstyringsystem

1. Kontroller motorolien. Se afsnittet **Kontrol af olieniveau**.
2. Sørg for, at udstyrets kørselsbetjeningsanordninger, hvis monteret, er frakoblet.
3. Sæt brændstofhanen (A, figur 7) i positionen ÅBEN, hvis monteret.
4. Sæt stopknappen (F, figur 7, 8), hvis monteret, til positionen TIL.
5. Sæt gasregulatoren (B, figur 8), hvis monteret, i stillingen HURTIG. Betjen motoren i positionen HURTIG.
6. **Trækstart, hvis udstyret med tændingskontakt:** Drej tændingskontakten (D, figur 7, 8) til positionen TIL.
7. **Tilbageløbsstarter, hvis monteret:** Hold fast i startsnorens håndtag med et fast greb (E, figur 7, 8). Træk i startsnorens håndtag, indtil der mærkes modstand, og træk så hurtigt.



ADVARSEL

Hurtig tilbagetrækning af startsnoren (tilbageslag) vil bevirke, at din hånd og arm bliver trukket hurtigere mod motoren, end du kan kontrollere. Konsekvenserne kan være brækkede knogler, skrammer eller forstuvninger. For at forhindre tilbageslag når du starter motoren, så træk langsomt i startsnoren, indtil der mærkes modstand, og træk så kraftigt i den.

8. **Elektrisk starter, hvis monteret:** Drej den elektriske startkontakt (D, figur 7, 8) til positionen TIL eller START.

BEMÆRK Starterens levetid kan forlænges ved at bruge korte startcyklusser (maks. fem sekunder). Vent ét minut mellem startcyklusserne.

Hvis motoren ikke starter efter 3 eller 4 forsøg, skal du kontakte din lokale forhandler, gå til vanguardpower.com eller ringe til 1-800-999-9333.

Chokersystem

1. Kontroller motorolien. Se afsnittet **Kontrollér og påfyld olie**.
2. Sørg for, at udstyrets kørselsbetjeningsanordninger, hvis monteret, er frakoblet.
3. Sæt brændstofhanen (A, figur 7) i positionen ÅBEN, hvis monteret.
4. Sæt stopknappen (F, figur 7, 8), hvis monteret, til positionen TIL.
5. Sæt gashåndtaget (B, figur 7), hvis monteret, i positionen HURTIG. Betjen motoren i positionen HURTIG.
6. Flyt chokerregulatoren (C, figur 9, 10) til positionen LUKKET.

BEMÆRK: Det er normalt ikke nødvendigt at bruge choker, når du starter en varm motor.

7. **Trækstart, hvis udstyret med tændingskontakt:** Drej tændingskontakten (D, figur 7, 8) til positionen TIL.
8. **Tilbageløbsstarter, hvis monteret:** Hold fast i startsnorens håndtag med et fast greb (E, figur 7, 8). Træk langsomt i startsnorens håndtag (E), indtil der mærkes modstand, og træk så kraftigt til.



ADVARSEL

Hurtig tilbagetrækning af startsnoren (tilbageslag) vil bevirke, at din hånd og arm bliver trukket hurtigere mod motoren, end du kan kontrollere. Konsekvenserne kan være brækkede knogler, skrammer eller forstuvninger. For at forhindre tilbageslag når du starter motoren, så træk langsomt i startsnoren, indtil der mærkes modstand, og træk så kraftigt i den.

- Elektrisk start, hvis installeret:** Drej tændingskontakten til positionen (D, figur 7, 8) TIL eller START.

BEMÆRK

Starterens levetid kan forlænges ved at bruge korte startcyklusser (maks. fem sekunder). Vent ét minut mellem startcyklusserne.

- Når motoren bliver varm, skal du flytte chokerregulatoren (C, figur 9, 10) til stillingen ÅBEN.

BEMÆRK: Hvis motoren ikke starter efter 2-3 forsøg, skal du kontakte din lokale forhandler eller gå til vanguardpower.com eller ringe på 1-800-999-9333.

Stop motoren



ADVARSEL

Benzin og benzindampe er brændbare og eksplosive. Brand eller eksplosion kan medføre forbrændinger eller dødsfald.

- Brug ikke chokeren (hvis monteret) til at stoppe motoren.
- Stopkontakt, hvis monteret:** Drej stopkontakten (F, figur 11) til positionen FRA.
 - Stopkontakt, hvis monteret:** Indstil gashåndtaget, hvis monteret, til positionen LANGSOM, og drej tændingskontakten (D, figur 11) til positionen FRA. Tag nøglen ud og opbevar den på et sikkert sted uden for børns rækkevidde.
 - Efter at motoren er standset, drej brændstofforåren (A, figur 11) til positionen LUKKET, hvis monteret.

Vedligeholdelse

Vedligeholdelsesoplysninger



ADVARSEL

Benzin og benzindampe er brændbare og eksplosive. Brand eller eksplosion kan medføre forbrændinger eller dødsfald.

Under vedligeholdelse, hvis det er nødvendigt at vippe enheden, skal du sørge for, at brændstofforåren, hvis monteret på motoren, er tom, og at tændrørssiden vender opad. Hvis brændstofforåren ikke er tom, kan der forekomme brændstofflækage, og dette kan medføre brand eller eksplosion. Hvis motoren vippes i en anden retning, starter den ikke nemt på grund af olie- eller brændstofforurening af luftfilteret eller tændrøret.



ADVARSEL

Utsigtede gnister fra motoren kan forårsage elektrisk stød, brand eller eksplosion samt indfiltrering, traumatisk amputation eller flånger.

Før du foretager justeringer eller reparationer:

- Fjern alle tændrørskablerne fra tændrøret og opbevar dem i sikker afstand fra tændrørene.
- Afbryd batterikablet fra den negative pol (gælder kun motorer med elektrisk start).
- Brug kun passende værktøj.

Når du tjekker for gnister:

- Brug en godkendt tændrørstester.
- Test ikke for gnister med tændrøret fjernet.



ADVARSEL

Reserveuddelene skal have samme udformning, og de skal placeres på præcist samme måde som de originale dele. Andre dele kan medføre skade eller personskaade.

BEMÆRK

Alle komponenter, der bruges til at bygge dette produkt, skal forblive på plads for korrekt drift.

Kontakt en autoriseret serviceforhandler fra Briggs & Stratton vedrørende al vedligeholdelse og eftersyn af motor og motordele.

Udførelse af udledningskontrol

Ved vedligeholdelse, udskiftning eller reparation af udledningskontroldenheder og systemer, skal du kontakte et kvalificeret offroad-motorværksted eller

en servicetekniker. For at få udført udledningskontrolservice "uden beregning" skal arbejdet imidlertid udføres af en autoriseret forhandler. Se erklæringer om udledningskontrol.

Vedligeholdelsesskema

8-timers intervaller eller dagligt
<ul style="list-style-type: none"> Kontroller oliestanden i motoren. Rengør området omkring lyd-dæmperen og betjeningsanordningerne.
100 timers intervaller eller årligt
<ul style="list-style-type: none"> Udskift tændrørene. Skift motorolien. Udskift oliefilteret (hvis installeret). Servicér luftfilter ¹. Rens forfilteret (hvis installeret) ¹. Servicér udstødningssystemet.
250 timers intervaller eller årligt
<ul style="list-style-type: none"> Tjek ventilfrirummet. Juster om nødvendigt.
400 timers intervaller eller årligt
<ul style="list-style-type: none"> Udskift luftfilteret. Udskift brændstoffilteret. Servicér luftkølesystemet ¹. Rengør finner på oliekløeren ¹.

¹ Rengør oftere ved støvede forhold, eller når der er mange partikler i luften.

Elektronisk brændstofindsprøjtning (EFI)

EFI-systemet overvåger motor-temperatur, motorhastighed og batterispænding under start og opvarmning af motoren. Systemet skal ikke justeres. Hvis der opstår start- eller betjeningsbesvær, skal du kontakte en autoriseret Briggs & Stratton-serviceforhandler.

BEMÆRK Sørg for at følge nedenstående trin, ellers kan der opstå skader på EFI-systemet.

- Start ALDRIG motoren, hvis batterikablerne er løse.
- Drej nøglen til FRA, før du frakobler, fjerner og/eller monterer batteriet.
- Start ALDRIG motoren ved hjælp af en batterioplader.
- Frakobl IKKE batterikablerne under motordrift.
- Når du tilslutter batterikablerne, skal du først tilslutte pluskablet (+) og derefter minuskablet (-) til batteriet.
- Når batteriet oplades, skal du dreje tændingskontakten til stillingen FRA og frakoble minuskablet (-) fra batteriet.
- Sprøjt IKKE vand direkte på det elektroniske styremodul.

Elektronisk brændstofstyringsystem

Det elektroniske brændstofstyringsystem overvåger motor-temperatur, motorhastighed og batterispænding for at justere chokeren under start og opvarmning af motoren. Systemet skal ikke justeres. Hvis der opstår start- eller betjeningsbesvær, skal du tale med en autoriseret Briggs & Stratton-serviceforhandler.

BEMÆRK Sørg for at følge disse trin, da det elektroniske brændstofstyringsystem ellers kan blive beskadiget.

- Start ALDRIG motoren, hvis batterikablerne er løse.
- Før du forbinder startkablerne eller afbryder eller igen forbinder batterikablerne, skal tændingskontakten drejes til positionen FRA. Tændingskontakten skal være i FRA-position, når batteriet oplades.
- Når du afbryder batterikablerne, skal du først afkoble minuskablet (-) og derefter afkoble pluskablet (+) til batteriet. Når du tilslutter batterikablerne, skal du først tilslutte pluskablet (+) og derefter minuskablet (-) til batteriet.
- Start ALDRIG motoren ved hjælp af en batterioplader.
- Frakobl IKKE batterikablerne under motordrift.
- Sprøjt IKKE vand direkte på den elektroniske styreenhed.

Karburator og motorhastighed

Undlad at foretage justeringer på karburatoren, regulatorfjederen, forbindelser eller andre dele for at justere motorens hastighed. Hvis der er behov for justering, så kontakt en autoriseret serviceforhandler fra Briggs & Stratton for service.

BEMÆRK

Denne udstyrsproducent specificerer maks. hastighed for motoren, som er installeret på udstyret. Motoren må ikke køre med højere hastighed. Hvis du ikke er sikker på, hvad maks. hastigheden er på udstyret, eller hvilken motorhastighed, der er indstillet fra fabrikken af, så kontakt en autoriseret serviceforhandler fra Briggs & Stratton for hjælp. For sikker og korrekt brug af udstyret skal motorhastigheden kun justeres af en uddannet servicetekniker.

Eftersyn af tændrøret

Kontrollér afstanden for tændrøret (A, figur 12) med en afstandsmåler (B). Indstil om nødvendigt tændrørgabet. Monter og fastspænd tændrøret til det korrekte moment. Se afsnittet **Specifikationer** for specifikationer mht. afstand og drejningsmoment.

Eftersyn af udstødningssystemet



ADVARSEL
Under drift bliver motoren og lyddæmperen varm. Hvis du rører ved en varm motor, kan der opstå termiske forbrændinger.

Brændbart materiale, såsom blade, græs og krat, kan blive antændt.

- Før du berører motoren eller lyddæmperen, skal du stoppe motoren og vente to (2) minutter. Sørg for, at motoren og lyddæmperen er sikre at røre ved.
- Fjern affald fra lyddæmperen og motoren.

Det er en overtrædelse af staten Californiens forskrifter om offentlige ressourcer, afsnit 4442, at bruge eller betjene motoren på ethvert skov-, krat- eller græsdækket område, medmindre udstødningssystemet er forsynet med en korrekt vedligeholdt gnistfanger som beskrevet i afsnit 4442. Andre stater eller statsretskredse har eventuelt lignende love, se statsforskrift 36 CFR, afsnit 261.52. Kontakt en autoriseret fabrikant eller serviceforhandler angående anskaffelse af en gnistfanger, der er konstrueret til det udstødningssystem, der er monteret på den pågældende maskine.

Fjern affald fra området omkring lyddæmperen og cylinderen. Kontrollér lydporten for revner, korrosion eller andre skader. Fjern gnistaflederen, hvis den er monteret, og kontrollér den for skader eller karbonblokering. Hvis der er skade, skal der monteres reservedele, før du betjener udstyret.



ADVARSEL
Reservedelene skal have samme udformning, og de skal placeres på præcist samme måde som de originale dele. Andre dele kan medføre skade eller personskade.

Skift motorolie



ADVARSEL
Benzin og benzindampe er brændbare og eksplosive. Brand eller eksplosion kan medføre forbrændinger eller dødsfald.

Under drift bliver motoren og lyddæmperen varm. Hvis du rører ved en varm motor, kan der opstå termiske forbrændinger.

- Hvis du tømmer olien fra oliepåfyldningsrøret i toppen, skal brændstoftanken være tom. Hvis den ikke er tom, kan der forekomme brændstofdækage og dette kan forårsage brand eller eksplosion.
- Før du berører motoren eller lyddæmperen, skal du stoppe motoren og vente to (2) minutter. Sørg for, at motoren og lyddæmperen er sikre at røre ved.

Brugt olie er et farligt affaldsprodukt og skal kasseres korrekt. Må ikke bortskaffes sammen med husholdningsaffald. Kontakt de lokale myndigheder, dit servicecenter eller din forhandler for oplysninger om sikker bortskaffelse eller korrekt aflevering til en genbrugsstation.

Aftapning af olie

1. Med motoren STANDSET men stadig varm trækkes ledningen til tændrøret ud (D, figur 13) og holdes væk fra tændrøret (E).
2. Fjern oliepipen (A, figur 14, 15).
3. Fjern olieaftapningsproppen (F, figur 16, 17). Tap olien ud i en godkendt beholder.
4. Montér, og spænd olieaftapningsproppen (F, figur 16, 17).

Skift oliefilter, hvis installeret

1. Tap olien af motoren. Se afsnittet **Aftapning af olie**.
2. Fjern oliefilteret (G, figur 18, 19) og kassér det korrekt.
3. Inden du monterer det nye oliefilter, bør du smøre oliefilterets pakning let med ren olie.
4. Monter oliefilteret med hånden, indtil pakningen har kontakt med oliefilterets tilpasningsstykke, og fastgør derefter oliefilteret med 1/2 til 3/4 omgange.

5. Påfyld olie. Se afsnittet **Påfyld olie**.
6. Start, og brug motoren. Når motoren er varm, skal der kontrolleres for olielækage.
7. Stop motoren. Sørg for, at olieniveauet når op til det øverste af fuld-indikatoren på oliepipen. Se afsnittet **Påfyld olie**.

Påfyld olie

- Kontrollér, at motoren står plant.
- Rengør oliepåfyldningsområdet for al snavs.
- Se afsnittet **Specifikationer** mht. oliekapacitet.

1. Fjern oliepipen (A, figur 20, 21). Brug en ren klud til at fjerne olie fra oliepipen.
2. Hæld langsomt olie i motorpåfyldningen (C, figur 20, 21) **Undgå at overfylde**. Vent i et minut, og kontrollér oliestanden.
3. Sæt oliepipen i, og spænd den (A, figur 20, 21).
4. Træk oliepipen op, og kontrollér oliestanden. Det korrekte olieniveau findes øverst på fuld-indikatoren (B, figur 20, 21) på oliepipen.
5. Sæt oliepipen i, og spænd den (A, figur 20, 21).
6. Tilslut tændrørsledningerne (D, figur 20) til tændrøret/tændrørerne.

Eftersyn af luftfilteret



ADVARSEL
Benzindampe er brændbare og eksplosive. Brand eller eksplosion kan medføre forbrændinger eller dødsfald.

- Start ikke motoren, og lad den ikke køre uden luftfilterenheden (hvis monteret) eller luftfilteret (hvis monteret).

BEMÆRK

Undlad at bruge komprimeret luft eller rengøringsmidler til rengøring af filteret. Komprimeret luft kan beskadige filteret, og rengøringsmidler vil opløse filteret.

Se **Vedligeholdelsesoversigten** for servicekrav.

Nogle modeller har et forfilter som ekstraudstyr, der kan vaskes og genbruges. Sammenlign illustrationerne i denne manual med den type, der er installeret på din motor.

1. **Modeller uden brændstoftank:** Åbn monteringsanordningerne (A, figur 22), og afmonter dækslet (B).
2. **Modeller med brændstoftank:** Afmonter monteringsanordning(er) (C, figur 23), og dækslet (D).
3. Afmonter møtrikken (D, figur 22, 23) og holderen (E).
4. Fjern luftfilteret (F, figur 22, 23).
5. Afmonter forfilteret (G, figur 22, 23), hvis monteret, fra luftfilteret (F).
6. For at løse snavs bankes filteret (F, figur 22, 23) forsigtigt mod en hård overflade. Hvis luftfilteret er meget snavset, udskift det med et nyt filter.
7. Rens forfilteret (G, figur 22, 23), hvis monteret, med flydende rengøringsmiddel i vand. Lad forfilteret lufttørre helt. Smør **IKKE** forfilteret.
8. Saml det tørre forfilter (G, figur 22, 23), hvis monteret, på luftfilteret (F).
9. Monter luftfilteret (F, figur 22, 23), og fastgør det med holderen (E) og møtrikken (D).
10. Monter dækslet (B, figur 22, 23).

Vedligeholdelse af brændstofssystemet



ADVARSEL
Benzin og benzindampe er brændbare og eksplosive. Brand eller eksplosion kan medføre forbrændinger eller dødsfald.

- Hold benzin væk fra gnister, åben ild, tændflammer, varme eller andre antændelseskilder.
- Undersøg ofte brændstoffledninger, brændstoftank, brændstofdæksel og tilslutninger for revner eller lækager. Udskift beskadigede dele.
- Hvis der spildes brændstof, skal du vente, indtil det tørrer, inden du starter motoren.

Brændstoffilter, hvis installeret

1. Før udskiftning af brændstoffilteret (A, figur 24) skal brændstoftanken tømmes, eller brændstoffonanen skal lukkes. Hvis brændstoftanken ikke tømmes, kan brændstof sive ud og forårsage brand eller eksplosion.
2. Brug en tang til at klemme tapperne (B, figur 24) på klemmerne (C) sammen. Flyt derefter klemmerne væk fra brændstoffilteret (A).
3. Drej og træk brændstofslangerne (D, figur 24) af brændstoffiltret.

- Kontrollér brændstofslangerne (D, figur 24) for revner eller utætheder. Udskift brændstofledningerne efter behov.
- Udskift brændstoffilteret (A, figur 24).
- Fastgør brændstofslangerne (D, figur 24) med klemmer (C).

Vedligeholdelse af kølesystemet



ADVARSEL

Under drift bliver motoren og lyddæmperen varm. Hvis du rører ved en varm motor, kan der opstå termiske forbrændinger.

Brændbart affald, såsom blade, græs og krat, kan blive antændt.

- Før du berører motoren eller lyddæmperen, skal du stoppe motoren og vente to (2) minutter. Sørg for, at motoren og lyddæmperen er sikre at røre ved.
- Fjern affald fra lyddæmperen og motoren.

BEMÆRK

Brug ikke vand til at rengøre motoren. Vand kan forårsage forurening af brændstofsyste­met. Brug i stedet en børste eller en tør klud til at rengøre motoren.

Dette er en luftkølet motor. Snavs og rester kan begrænse luftstrømmen og medføre, at motoren overophedes, så motorens ydelse svækkes, og dens levetid reduceres.

- Anvend en børste eller en tør klud til at fjerne snavs fra luftindsugningsområdet.
- Sørg for, at forbindelseskabler, fjedre og betjeningsanordninger er rene.
- Hold området omkring og bag lyddæmperen fri for brændbart affald, hvis monteret.
- Sørg for, at olie­køleribberne, er rene, hvis monteret.

Efter nogen tid kan der samle sig snavs i cylinderens køleribber, hvilket kan medføre, at motoren overophedes. Dette uønskede materiale kan ikke fjernes uden delvist at skille motoren ad. Få en autoriseret serviceforhandler fra Briggs & Stratton til at inspicere og rengøre luftkølesystemet som anbefalet i **Vedligeholdelsesoversigten**.

Opbevaring

Brændstofsyste­met

Henvi­st til figur: 25.



ADVARSEL

Benzin og benzindampe er brændbare og eksplosive. Brand eller eksplosion kan medføre forbrændinger eller dødsfald.

Opbevaring af brændstof

- Da en tændflamme eller andre antændelseskilder kan forårsage eksplosioner, skal du holde brændstof eller udstyr på afstand af fyr, ovne, vandvarmere eller andre enheder, der har en tændflamme.

Opbevar motoren på en plan overflade (almindelig driftsposition). Fyld brændstoffranken (A, figur 25) med brændstof. Fyld ikke over brændstoffrankens hals (B), da brændstoffet kan ekspandere.

Brændstof kan blive for gammelt, når det opbevares i en beholder i mere end 30 dage. Anvendelse af en alkoholfri brændstofstabilisator og ætanolbehandling i beholderen til opbevaring af brændstof anbefales for at forhindre nedbrydning af brændstof og for at holde brændstoffet frisk.

Når brændstofbeholderen fyldes med brændstof, tilsættes der en alkoholfri brændstofstabilisator som angivet i fabrikantens instruktioner. Hvis benzinen i motoren ikke er blevet behandlet med en brændstofstabilisator, skal den tømmes i en godkendt beholder. Betjen motoren, indtil den løber tør for brændstof.

Motorolie

Skift motorolien, mens motoren stadig er varm. Se afsnittet **Udskift motorolien**.

Fejlfinding

Hjælp

Hvis du har brug for hjælp, skal du kontakte din lokale forhandler eller gå til **BRIGGSandSTRATTON.COM** eller ringe på **1-800-444-7774** (i USA).

Specifikationer

Specifikationer og reservedele

MODELLER: 290000, 300000	
Forskydning	29.23 ci (479 cc)
Boring	2.677 tommer (68 mm)
Slaglængde	2.598 tommer (66 mm)
Oliekapacitet	46 - 48 oz (1,36 - 1,42 L)

MODELLER: 290000, 300000

Tændrørgab	.030 tommer (.76 mm)
Tilspændingsmoment for tændrør	180 pund-tommer (20 Nm)
Tændspolens luftgab – karburatormodeller	.008 - .012 tommer (.20 - .30 mm)
Ventilspillerum (indsugning)	.004 - .006 tommer (.10 - .15 mm)
Ventilspillerum (udstødning)	.004 - .006 tommer (.10 - .15 mm)

MODEL: 350000

Forskydning	34.78 ci (570 cc)
Boring	2.835 tommer (72 mm)
Slaglængde	2.756 tommer (70 mm)
Oliekapacitet	46 - 48 oz (1,36 - 1,42 L)
Tændrørgab	.030 tommer (.76 mm)
Tilspændingsmoment for tændrør	180 pund-tommer (20 Nm)
Tændspolens luftgab – karburatormodeller	.008 - .012 tommer (.20 - .30 mm)
Ventilspillerum (indsugning)	.004 - .006 tommer (.10 - .15 mm)
Ventilspillerum (udstødning)	.004 - .006 tommer (.10 - .15 mm)

MODEL: 380000

Forskydning	38.26 ci (627 cc)
Boring	2.972 tommer (75,5 mm)
Slaglængde	2.756 tommer (70 mm)
Oliekapacitet	46 - 48 oz (1,36 - 1,42 L)
Tændrørgab	.030 tommer (.76 mm)
Tilspændingsmoment for tændrør	180 pund-tommer (20 Nm)
Tændspolens luftgab – Karburatormodeller	.008 - .012 tommer (.20 - .30 mm)
Ventilspillerum (indsugning)	.004 - .006 tommer (.10 - .15 mm)
Ventilspillerum (udstødning)	.004 - .006 tommer (.10 - .15 mm)

Motoreffekten falder med 3,5 % for hver 1000 fod (300 meter) over havets overflade og med 1 % for hver 10 °F (5,6 °C) over 77 °F (25 °C). Motoren kan køre tilfredsstillende ved en hældning på op til 15°. Yderligere oplysninger om sikre grænseværdier for drift på hældninger findes i udstyrets betjeningsvejledning.

MODELLER: 290000, 300000, 350000, 380000

Reservedel	Delnummer
Luftfilter (med brændstoffank, figur 23)	383857
Luftfilter (undtagen model 380000, figur 22)	394018
Luftfilter (model 380000, 22)	692519
Forfilter til luftfilter (med brændstoffank, figur 23)	271794
Forfilter til luftfilter (undtagen model 380000, figur 22)	272490
Forfilter til luftfilter (model 380000, figur 22)	692520
Olie - SAE 30	100028
Oliefilter	842921
Brændstoffilter (med brændstoffank)	808116
Brændstoffilter (med brændstofpumpe)	845125
Brændstoffilter (uden brændstofpumpe)	298090
Tændrørsmodstand	491055S
Platintændrør med ekstra lang levetid	696202, 5066K
Tændrørsnøgle	19576S
Gnisttester	84003327

Vi anbefaler, at du kontakter en autoriseret Briggs & Stratton-forhandler vedrørende al vedligeholdelse og servicering af motoren og motordele.

Nominel belastning

Nettobelastningen for separate benzinmotormodeller er mærket i henhold til SAE (sammenslutningen af bilingeniører)-kode J1940, procedure til klassificering af lav motorkraft og drejningsmoment, og den er klassificeret i henhold til SAE J1995. Drejningsmomentværdier er målt ved 2.600 o/min. for motorer med "rpm" angivet på mærkaten og 3.060 o/min. for alle andre; hestkræftværdier er angivet ved

3.600 o/min. Bruttoeffektkurverne kan ses på www.BRIGGSandSTRATTON.COM. Nettokraftværdier bliver målt med udstødnings- og luftfilter monteret, hvorimod bruttokraftværdier bliver målt uden disse anordninger. Faktisk bruttomotoreffekt vil være højere end nettomotoreffekt og er bl.a. påvirket af lokale driftsforhold og variationer fra motor til motor. På grund af det store udvalg af ekstraudstyr, der kan benyttes sammen med motorer, yder benzintmotoren måske ikke den forventede bruttoeffekt, når den anvendes med et bestemt stykke ekstraudstyr. Forskellen skyldes mange forskellige faktorer, herunder eksempelvis de forskellige motordele (luftfilter, udstødning, opladning, kølesystem, karburator, brændstofpumpe osv.), anvendelsesbegrænsninger, omgivelsesnes driftsforhold (temperatur, fugtighed, højde) samt motor-til-motor-variation. På grund af fabrikkations- og kapacitetsbegrænsninger kan Briggs & Stratton erstatte en motor med højere effekt for denne motor.

Garanti

Briggs & Stratton® Motorgaranti

Gældende fra august 2022

Begrænset garanti

Briggs & Stratton garanterer, at i løbet af den garantiperiode, der er angivet herunder, vil denne gratis og efter eget skøn reparere eller udskifte enhver del, der er defekt i materiale eller håndværk eller begge dele, med en ny, renoveret eller genproduceret del. Transportomkostninger i forbindelse med et produkt, som indleveres til reparation eller udskiftning under denne garanti, afholdes af køberen. Denne garanti er gyldig inden for tidsperioderne og underlagt nedenstående betingelser. I forbindelse med garantiservice finder du den nærmeste autoriserede serviceforhandler på vores kort med forhandleroversigt på BRIGGSandSTRATTON.COM. Køberen skal kontakte den autoriserede serviceforhandler og derefter stille produktet til rådighed for den autoriserede serviceforhandler med henblik på inspektion og afprøvning.

Der ydes ikke nogen anden udtrykkelig garanti. Underforståede garantier, inklusive garantier for salgbarhed og egnethed til et bestemt formål, er begrænset til et år fra købsdato eller i den udstrækning loven tillader. Alle andre underforståede garantier bortfalder. Ansvar for hændelige skader eller følgeskader er udelukket, i det omfang lovgivningen tillader udelukkelse. Visse stater eller lande tillader ikke begrænsninger på, hvor lang tid en underforstået garanti varer, og visse stater eller lande tillader ikke udelukkelse eller begrænsning af tilfældig skade eller følgeskade, så ovenstående begrænsning og udelukkelse er måske ikke gældende for dig. Denne garanti giver dig specifikke juridiske rettigheder, og du kan endvidere have andre rettigheder, som kan variere fra land til land.

Vilkår for standardgaranti ^{1, 2}
Vanguard®; Commercial Series
Forbrugeranvendelse - 36 måneder
Erhvervsmæssig anvendelse - 36 måneder
XR-serien
Forbrugeranvendelse - 24 måneder
Erhvervsmæssig anvendelse - 24 måneder
Alle andre motorer med Dura-Bore™ støbejernsboring
Forbrugeranvendelse - 24 måneder
Erhvervsmæssig anvendelse - 12 måneder
Alle andre motorer
Forbrugeranvendelse - 24 måneder
Erhvervsmæssig anvendelse - 3 måneder

¹ Dette er vores vilkår for standardgaranti, men der kan lejlighedsvist være ekstra garantidækning, der ikke var fastslået på tidspunktet for offentliggørelsen. Hvis du ønsker en liste over gældende garantivilkår for din motor, så gå til BRIGGSandSTRATTON.COM, eller kontakt din autoriserede Briggs & Stratton serviceforhandler.

² Der er ikke garanti på motorer på udstyr, der bruges til primæreffekt i stedet for et hjælperedskab; standbygeneratorer, der anvendes til kommercielle formål, hjælpekedetøjer, der overstiger 25 mph, eller motorer, der bruges til konkurrencemæssige motorløb eller på kommercielle eller lejebaserede baner.

* I Australien - Vores produkter sælges med en garanti, der ikke kan bortfalde i henhold til den australske forbrugerlovgivning. Du er berettiget til en erstatning eller refusion i tilfælde af en væsentlig defekt eller til kompensation for ethvert forudseeligt tab eller skade. Du er derudover berettiget til at få dine varer repareret eller erstattet, hvis varerne ikke lever op til kvaliteten, og manglen ikke er i forbindelse med en væsentlig defekt. I forbindelse med service under garantien findes den nærmeste autoriserede serviceforhandler på kortet over forhandlere på BRIGGSandSTRATTON.COM, ved at ringe til 1300 274 447 eller ved at sende en e-mail eller skrive til salesenquires@briggsandstratton.com.au, Briggs & Stratton Australia Pty Ltd, 1 Moorebank Avenue, Moorebank, NSW, Australia, 2170.

Garantiperioden starter på købsdatoen for den første detailkøber eller erhvervsmæssige slutbruger og fortsætter i den tidsperiode, som er angivet i tabellen ovenfor. "Privat brug" betyder brug i personlig beboelseshusholdning hos en detailkunde. "Erhvervsmæssig brug" betyder al anden form for brug, inklusive

erhvervsmæssigt, indkomstdannende eller lejebaseret formål. Når en motor har været anvendt erhvervsmæssigt, skal den herefter anses for at være en motor til erhvervsbrug i henhold til denne garanti.

Det er ikke nødvendigt at registrere garanti for at opnå garanti på produkter, der bærer Briggs & Stratton-varemærket. Gem dit købsbevis. Hvis du ikke kan fremvise bevis for den oprindelige købsdato på det tidspunkt, hvor du anmoder om garantiservice, vil produktets produktionsdato blive brugt som grundlag for garantien.

Om garantien

Denne garanti dækker alene motor-relaterede materiale- og/eller fremstillingsfejl og ikke udskiftning eller tilbagebetaling for det redskab, hvorpå motoren måtte være monteret. Rutinemæssig vedligeholdelse, optuning, justeringer eller normal slitage dækkes ikke under denne garanti. På samme måde gælder denne garanti heller ikke, hvis motoren er ændret eller modificeret, eller hvis motorens serienummer er ødelagt eller fjernet. Denne garanti dækker ikke motorskade eller driftsproblemer som følge af:

1. Brug af dele, der ikke er Briggs & Stratton
2. Betjening af motoren med utilstrækkelig, forurenede eller forkert type olie
3. Brug af forurenede eller gammel olie, benzin med mere end 10 % etanol eller brug af alternative brændstoffer som petroleumsvæske eller naturgas på motorer, der ikke oprindeligt er udviklet/fremstillet af Briggs & Stratton til at fungere med sådanne brændstoffer;
4. Snavs, der er trængt ind i motoren på grund af utilstrækkelig vedligeholdelse af luftrensesystemet eller genmontering;
5. Stød mod et objekt med skærebladet i en roterende plæneklipper, løse eller forkert installerede bladadaptere, rotor eller andet udstyr koblet på krumtapakslen eller for høj V-remspænding
6. Tilhørende dele eller tilbehør som koblinger, transmissioner, udstyrskontroller osv., som ikke leveres af Briggs & Stratton;
7. Overophedning på grund af græsslåning, snavs og affald eller gnaverreder, der tilstopper kølefinerne eller svinghjulområdet eller drift af motoren uden tilstrækkelig ventilation
8. Overdreven vibration på grund af for høj hastighed, løs motormontering, løse eller ubalancerede skæreblade eller rotor eller forkert kobling af udstyrskomponenter på krumtapakslen
9. Misbrug, mangel på rutinevedligeholdelse, forsendelse, håndtering eller udstyrets opbevaring på lager eller forkert motorinstallation.

Servicegarantien er kun tilgængelig via autoriserede Briggs & Stratton serviceforhandlere. Find din nærmeste serviceforhandler på vores forhandlerkort på BRIGGSandSTRATTON.COM eller ved at ringe til 1-800-444-7774 (i USA).

80114782 (Revision A)

Allgemeine Informationen



Dieses Handbuch enthält Sicherheitsinformationen über die mit dem Motor verbundenen Gefahren und Risiken und deren Vermeidung. Es enthält auch Hinweise zur korrekten Bedienung und Wartung des Motors. Es ist wichtig, dass Sie diese Anweisungen lesen, verstehen und befolgen. **Bewahren Sie dieses Handbuch zum späteren Nachschlagen auf.**

HINWEIS: Die Abbildungen und Illustrationen in dieser Anleitung dienen nur zur Information und können von Ihrem Modell abweichen. Verwenden Sie die Zahlen, die mit Ihrer Motorkonfiguration übereinstimmen. Wenden Sie sich im Bedarfsfall an eine Vertragswerkstatt.

Notieren Sie das Kaufdatum, das Motormodell, den Typ, die Ausstattung und die Seriennummer des Motors für Ersatzteile. Diese Nummern befinden sich auf Ihrem Motor. Siehe Abschnitt **Funktionen und Bedienungselemente**.

Kaufdatum	
Motormodell – Typ – Trim	
Motorseriennummer	

Kontaktinformationen für das europäische Büro

Für Fragen bezüglich europäischer Emissionen kontaktieren Sie bitte unser europäisches Büro unter:

Max-Born-Straße 2, 68519 Viernheim, Deutschland.

Europäische Union (EU) Stufe V (5): Kohlendioxidwerte (CO2)

Geben Sie CO2 im Suchfenster auf BriggsandStratton.com ein, um die Kohlendioxidwerte von Briggs & Stratton Motoren mit EU-Genehmigungszertifikat zu finden.

Recyclinginformation

		Alle Kartons, Boxen, Altöl und Akkus gemäß den behördlichen Vorschriften recyceln.
--	--	--

Bedienersicherheit

Sicherheitshinweissymbole und Signalworte



Das Sicherheitswarnsymbol enthält Sicherheitsinformationen über Gefahren, die zu Verletzungen führen können. Ein Signalwort (**GEFAHR**, **WARNUNG** oder **VORSICHT**) wird verwendet, um die Wahrscheinlichkeit und den potenziellen Schweregrad von Verletzungen anzuzeigen. Außerdem wird ein Gefahrensymbol verwendet, um die Art des Risikos darzustellen.

GEFAHR weist auf ein Risiko hin, das zum Tod oder zu schweren Verletzungen führen wird, wenn es nicht vermieden wird.

WARNUNG weist auf ein Risiko hin, das zum Tod oder zu schweren Verletzungen führen **könnte**, wenn es nicht vermieden wird.

VORSICHT weist auf eine Gefahr hin, die zu leichten bis mittelschweren Verletzungen führen **könnte**, wenn sie nicht vermieden wird.

HINWEIS weist auf Informationen hin, die wichtig sind, sich jedoch nicht auf eine Gefahr beziehen.

Gefahrensymbole und deren Bedeutung

	Warnhinweis zu Risiken, die zu Verletzungen führen können.		Lesen und verstehen Sie die Bedienungsanleitung, bevor Sie mit der Maschine arbeiten oder diese warten.
	Brandgefahr		Explosionsgefahr!

	Stromschlaggefahr		Gefahr durch giftige Dämpfe
	Gefahr durch heiße Oberflächen		Rückschlaggefahr
	Amputationsgefahr – bewegliche Teile		Kraftstoffpegel - Maximum Nicht überfüllen

Sicherheitshinweise



WARNUNG

Motoren von Briggs & Stratton® sind nicht konzipiert und nicht geeignet für den Antrieb von Fun-Karts, Go-Karts, Freizeitfahrzeugen für Kinder, Geländefahrzeugen für den Motorsport (ATVs), Motorrädern, Luftkissenfahrzeugen, Luftfahrzeugen oder Fahrzeugen für den Rennsport, wenn dies nicht von Briggs & Stratton genehmigt ist. Informationen über Rennsportprodukte finden Sie auf www.briggsracing.com. Zum Einsatz mit Nutzfahrzeug- und Side-by-side-ATVs wenden Sie sich bitte an das Briggs & Stratton Power Application Center, 1-866-927-3349. Eine fehlerhafte Motorverwendung könnte zu schweren Verletzungen oder zum Tod führen.



WARNUNG

Der Kraftstoff und seine Dämpfe sind entzündlich und explosiv. Feuer oder Explosionen können Verbrennungen oder den Tod zur Folge haben.

Beim Nachfüllen von Kraftstoff

- Stellen Sie den Motor ab. Vor dem Entfernen des Tankdeckels mindestens zwei (2) Minuten warten, um sicherzustellen, dass der Motor abgekühlt ist.
- Füllen Sie den Kraftstofftank im Freien oder in einem Bereich mit guter Lüftung.
- Füllen Sie nicht zu viel Kraftstoff in den Tank. Füllen Sie den Kraftstofftank nicht über die Unterkante des Tankstutzens auf, da sich der Kraftstoff ausdehnt.
- Halten Sie den Kraftstoff von Funken, offenen Flammen, Zündflammen, Hitze oder anderen Zündquellen fern.
- Untersuchen Sie die Kraftstoffleitungen, den Kraftstofftank, den Tankdeckel und die Verbindungen regelmäßig auf Sprünge oder Lecks. Tauschen Sie beschädigte Teile aus.
- Sollte Kraftstoff auslaufen, warten Sie ab, bis dieser verdunstet ist, und lassen Sie erst dann den Motor an.

Beim Anlassen des Motors

- Darauf achten, dass Zündkerze, Schalldämpfer, Tankdeckel und Luftfilter (je nach Ausstattung) korrekt montiert sind.
- Machen Sie den Motor ohne Zündkerze nicht an.
- Wenn der Motor geflutet ist, den Choke (falls vorhanden) in die Position OFFEN oder BETRIEB stellen. Stellen Sie den Gashebel (falls vorhanden) in die Position SCHNELL und drehen Sie den Motor durch, bis er startet.
- Besteht die Gefahr der Ausströmung von Erd- oder Flüssiggas, darf der Motor nicht angelassen werden.
- Verwenden Sie keine Starthilfe-Sprays, da deren Dämpfe leicht entzündlich sind.

Beim Betrieb des Geräts

- Kippen Sie den Motor bzw. das Gerät nicht in einem Winkel, bei dem Kraftstoff verschüttet werden könnte.
- Zum Abstellen des Motors nicht den Choke des Vergasers (falls vorhanden) benutzen.
- Niemals den Motor mit abgenommenem Luftfilter (falls vorhanden) oder Filtereinsatz (falls vorhanden) starten oder betreiben.

Bei Wartungen

- Wenn Sie das Öl über das oben befindliche Öfüllrohr ablassen, muss der Kraftstofftank leer sein. Wenn er nicht leer ist, könnte Kraftstoff auslaufen und ein Feuer oder eine Explosion verursachen.
- Falls das Gerät während der Wartung gekippt werden muss, stellen Sie sicher, dass der Kraftstofftank, falls er am Motor angebracht ist, leer ist und die Zündkerzenseite nach oben zeigt. Wenn der Kraftstofftank nicht leer ist, könnte Kraftstoff auslaufen und ein Feuer oder eine Explosion verursachen.
- Untersuchen Sie die Kraftstoffleitungen, den Kraftstofftank, den Tankdeckel und die Verbindungen regelmäßig auf Sprünge oder Lecks. Tauschen Sie beschädigte Teile aus.
- Nicht die Reglerfeder, Gestänge oder andere Teile ändern, um die Motordrehzahl zu erhöhen.

- Das Schwungrad nicht mit einem Hammer oder harten Objekt schlagen. Dies könnte während des Betriebs zu einem Versagen des Schwungrads führen.
- Ersatzteile müssen den Originalteilen entsprechen und in derselben Position angebracht werden. Andere Teile könnten zu Schäden oder Verletzungen führen.

Beim Verändern des Gerätestandorts

- Stellen Sie sicher, dass der Kraftstofftank LEER ist oder dass das Kraftstoffhahnventil sich in der Position GESCHLOSSEN befindet.

Wenn Kraftstoff oder das Gerät mit Kraftstoff im Kraftstofftank aufbewahrt wird

- Da Zündflammen oder andere Zündquellen Explosionen verursachen können, dürfen Kraftstoff oder das Gerät niemals in der Nähe von Öfen, Herden, Warmwasserbereitern oder ähnlichen Geräten mit Dauerflammen abgestellt werden.



WARNUNG
Der Kraftstoff und seine Dämpfe sind entzündlich und explosiv. Feuer oder Explosionen können Verbrennungen oder den Tod zur Folge haben.

Der Motorstart erzeugt Funken, die zu Feuern oder Explosionen führen können.

- Besteht die Gefahr der Ausströmung von Erd- oder Flüssiggas, darf der Motor nicht angelassen werden.
- Verwenden Sie keine Starthilfe-Sprays, da deren Dämpfe leicht entzündlich sind.



WARNUNG
GIFTGASGEFAHR. Motorabgase enthalten Kohlenmonoxid, ein giftiges Gas, das Sie innerhalb von Minuten töten kann. Auch wenn Sie keine Abgase riechen, können Sie trotzdem gefährlichem Kohlenmonoxid ausgesetzt sein. Wenn Sie sich während der Verwendung dieses Produkts übel, schwindlig oder schwach fühlen, gehen Sie SOFORT an die frische Luft. Suchen Sie einen Arzt auf. Sie könnten eine Kohlenmonoxidvergiftung haben.

- Kohlenmonoxid kann sich in Räumen ansammeln, in denen sich Menschen aufhalten. Betreiben Sie dieses Gerät NUR im Freien und abseits von Fenstern, Türen und Öffnungen, um das Risiko von Kohlenmonoxid zu senken.
- Installieren Sie batteriebetriebene Kohlenmonoxid-Warmmelder oder netzbetriebene Warmmelder mit Akku-Notstromversorgung entsprechend den Herstelleranweisungen. Rauchmelder reagieren nicht auf Kohlenmonoxid.
- Betreiben Sie dieses Gerät NICHT in Wohnungen, Garagen, Kellern, Zwischenräumen, Schuppen oder anderen geschlossenen Räumen, selbst wenn Sie Ventilatoren oder offene Fenster zur Belüftung verwenden. Nach dem Betrieb dieses Produkts kann sich Kohlenmonoxid schnell in diesen Räumen ansammeln und dort stundenlang verbleiben.
- Stellen Sie dieses Produkt IMMER in Windrichtung auf und richten Sie den Motorauspuff weg von Räumen, in denen sich Menschen aufhalten.



WARNUNG
Wenn das Starterseil schnell zurückspringt, werden Hand und Arm schneller zum Motor gezogen, als das Seil losgelassen werden kann. Es kann zu Knochenbrüchen, Prellungen oder Verstauchungen kommen.

- Um beim Starten des Motors einen Rückschlag zu vermeiden, ziehen Sie langsam am Starterseil, bis der Widerstand spürbar wird, und ziehen Sie dann einmal schnell.
- Trennen oder entfernen Sie alle externen Geräte- und Motorlasten, bevor Sie den Motor starten.
- Stellen Sie sicher, dass mit dem Motor verbundene Gerätekomponenten, z. B. Schnittmesser, Impeller, Seilscheiben, Zahnräder usw., sicher befestigt sind.



WARNUNG
Rotierende Teile können sich in Händen, Füßen, Haaren, Kleidung oder Schmuck verfangen, wodurch es zur Amputation von Gliedmaßen oder schweren Schnittwunden kommen kann.

- Betreiben Sie das Gerät mit korrekt angebrachten Schutzvorrichtungen.
- Hände und Füße von rotierenden Teilen fern halten.
- Entfernen Sie Schmuck und halten Sie lange Haare von allen rotierenden Teilen fern.
- Tragen Sie keine lockere Kleidung oder Kleidungsstücke, die sich verfangen könnten.



WARNUNG
Während des Betriebs werden der Motor und Schalldämpfer heiß. Wenn Sie einen heißen Motor berühren, können Verbrennungen auftreten.

Brennbare Materialien, z. B. Blätter, Gras, Büsche, können in Brand geraten.

- Bevor Sie den Motor oder Schalldämpfer anfassen, stellen Sie den Motor ab und warten Sie zwei (2) Minuten. Stellen Sie sicher, dass Motor und Schalldämpfer gefahrlos berührt werden können.
- Entfernen Sie Rückstände von Schalldämpfer und Motor.

Wenn Sie den Motor in der Nähe von wald-, busch- oder grasbedeckten Flächen verwenden, stoßen Sie gegen Abschnitt 4442 des Öffentliche Vorschrift zur Verwendung von Rohstoffen von Kalifornien (California Public Resource Code), es sei denn, er ist, wie in Abschnitt 4442 beschrieben, mit einem Funkenfänger ausgestattet, dessen betriebsfähiger Zustand aufrechterhalten wird. In anderen Staaten oder föderalen Rechtsordnungen gelten möglicherweise ähnliche Gesetze; siehe Federal Regulation, 36 CFR, Teil 261.52. Einen passenden Funkenfänger für die an diesem Motor installierte Auspuffanlage finden Sie beim Gerätehersteller oder Händler.



WARNUNG
Unbeabsichtigte Motorfunken können einen elektrischen Schlag, einen Brand oder eine Explosion verursachen und zu Verwicklungen, traumatischen Amputationen oder Verletzungen führen.

Vor Anpassungen oder Reparaturen:

- Klemmen Sie alle Zündkerzenkabel ab und halten Sie sie von den Zündkerzen fern.
- Klemmen Sie das Batteriekabel vom Minuspol der Batterie ab (nur bei Motoren mit Elektrostart).
- Immer die richtigen Werkzeuge verwenden.

Bei der Prüfung auf eine Zündung:

- Einen zugelassenen Zündkerzenprüfer verwenden.
- Zündung nicht bei entfernter Zündkerze überprüfen.



WARNUNG
Kraftstoffdämpfe sind entzündlich und explosiv. Feuer oder Explosionen können Verbrennungen oder den Tod zur Folge haben.

Wenn Benzin gerochen wird

- Den Motor nicht anlassen.
- Keine elektrischen Schalter betätigen.
- Kein Telefon in der Nähe benutzen.
- Den Bereich evakuieren.
- Den Gaslieferanten oder die Feuerwehr verständigen.

Funktionen und Bedienungselemente

Bedienelemente am Motor




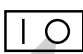




Vergleichen Sie die Buchstaben in den Abbildungen 1, 2, 3 und 4 mit den in folgender Liste aufgeführten Motorbedienelementen:

- Motor Kennzeichnung **Modell - Typ - Code**
- Zündkerze
- Luftfilter (ohne Kraftstofftank)
- Luftfilter (mit Kraftstofftank)
- Ölmesstab
- Öleinfüllöffnung
- Ölfilter (falls vorhanden)
- Ölablassschraube
- Öldrucksensor
- Fingerschutz
- E-Starter
- Seilzugstarter (falls vorhanden)
- Vergaser – Vergasermodelle
- Schalldämpfer
- Kraftstoffpumpe
- Starterschalter¹
- Gashebel¹
- Choke-Knopf¹

- S. Kraftstofffilter (falls vorhanden)
- T. Kraftstofftank
- U. Kraftstoffhahn (falls vorhanden)¹
- V. Stoppschalter (falls vorhanden)¹
- W. Ölkühler (falls vorhanden)
- X. Kraftstoffpumpenmodul – EFI-Modelle
- Y. Elektronisches Steuermodul – EFI-Modelle
- Z. Kraftstoffeinspritzdüsen – EFI-Modelle

¹ Einige Motoren und Geräte sind mit Fernbedienung ausgestattet. Zu Position und Betätigung der Fernbedienung siehe die Geräteanleitung.

Symbole zur Motorregelung und ihre Bedeutungen

 Motordrehzahl – SCHNELL	 Motordrehzahl – LANGSAM
 Motordrehzahl – STOPP	 EIN – AUS
 Motor anlassen Choke GESCHLOSSEN	 Motor anlassen Choke OFFEN
 Tankdeckel Kraftstoffhahn OFFEN	 Kraftstoffhahn GESCHLOSSEN

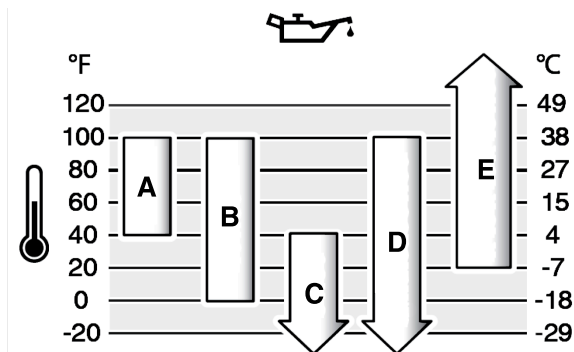
Betrieb

Empfehlungen zum Öl

Öl Fassungsvermögen: Siehe Abschnitt **Spezifikationen**.

Um eine bestmögliche Leistung zu garantieren, empfehlen wir die Verwendung von durch die Briggs & Stratton®-Garantie abgedeckten Ölen. Andere qualitativ hochwertige Öle sind zulässig, falls diese für die Klassen SF, SG, SH, SJ oder höher zertifiziert sind. Verwenden Sie keine speziellen Additive.

Verwenden Sie die Tabelle, um die beste Viskosität für die Spanne der erwarteten Außentemperatur auszuwählen. Die Motoren der meisten Motorgeräte für den Außenbereich funktionieren gut mit 5W-30 Synthetiköl. Für Geräte, die bei heißen Temperaturen betrieben werden, bietet das synthetische Öl Vanguard® 15W-50 den besten Schutz.



A	SAE 30 – Unter 40 °F (4 °C) führt die Verwendung von SAE 30 zu Startschwierigkeiten.
B	10W-30 – Über 80 °F (27 °C) kann die Verwendung von 10W-30 zu einem höheren Ölverbrauch führen. Überprüfen Sie regelmäßig den Ölstand.
C	5W-30
D	Synthetisch 5W-30
E	Vanguard® Synthetisch 15W-50

Kontrolle des Ölstands

Bevor Sie den Ölstand überprüfen oder Öl nachfüllen

- Achten Sie darauf, dass der Motor waagrecht steht.
- Reinigen Sie den Ölnachfüllbereich von Ablagerungen.
- Zum Öl Fassungsvermögen siehe Abschnitt **Spezifikationen**.

HINWEIS

Dieser Motor wird von Briggs & Stratton ohne Öl geliefert. Gerätehersteller oder Händler können dem Motor Öl hinzugefügt haben. Bevor Sie den Motor zum ersten Mal starten, stellen Sie sicher, dass der Ölstand korrekt ist. Fügen Sie gemäß den Anleitungen in diesem Handbuch Öl hinzu. Wenn der Motor ohne Öl gestartet wird, treten Schäden auf und der Motor wird nicht im Rahmen der Garantie repariert werden.

1. Entfernen Sie den Ölmesstab (A, Abbildung 5), und reinigen Sie ihn mit einem Lappen.
2. Setzen Sie den Ölmesstab (A, Abbildung 5) ein, und ziehen Sie diesen fest.
3. Ziehen Sie den Messstab heraus und kontrollieren Sie den Ölstand. Stellen Sie sicher, dass das Öl bis zur Voll-Markierung (B, Abbildung 5) des Ölmesstabs steht.
4. Gießen Sie bei zu niedrigem Ölstand langsam Öl in den Motoröleinfüllstutzen (C, Abbildung 5). Füllen Sie nicht zu viel Öl ein.
5. Warten Sie eine Minute und prüfen Sie den Ölstand erneut. Stellen Sie sicher, dass der Ölstand korrekt ist.
6. Setzen Sie den Ölmesstab (A, Abbildung 5) ein, und ziehen Sie diesen fest.

Ölniedrigstandschutzsystem (falls installiert)

Manche Motoren verfügen über einen Sensor, der einen niedrigen Ölstand anzeigt. Wenn der Ölstand zu niedrig ist, zeigt der Sensor eine Warnleuchte an oder schaltet den Motor ab. Stellen Sie den Motor ab und führen Sie die folgenden Schritte aus, bevor Sie den Motor starten.

- Stellen Sie sicher, dass der Motor waagrecht steht.
- Den Ölstand überprüfen. Siehe Abschnitt **Ölstand überprüfen**.
- Bei zu niedrigem Ölstand die korrekte Menge Öl nachfüllen. Starten Sie den Motor und vergewissern Sie sich, dass die Warnleuchte (falls vorhanden) nicht aufleuchtet.
- Wenn der Ölstand nicht zu niedrig ist, den Motor nicht starten. Wenden Sie sich zur Behebung des Ölproblems an einen autorisierten Briggs & Stratton Vertragshändler.

Kraftstoffempfehlungen

Kraftstoff muss folgende Anforderungen erfüllen:

- Sauberes, frisches, bleifreies Benzin.
- Mindestens 87 Oktan/87 AKI (91 RON). Große Höhenlagen siehe unten.
- Benzin mit bis zu 10 % Ethanol (Ethanol/Benzin-Kraftstoff) ist zulässig.

HINWEIS

Verwenden Sie keine ungenehmigten Benzinsorten, wie zum Beispiel E15 und E85. Vermischen Sie Öl nicht mit Benzin und ändern Sie den Motor nicht, damit er mit anderen Kraftstoffen läuft. Bei Verwendung nicht zugelassener Kraftstoffe könnten Schäden an Motorkomponenten entstehen, die im Rahmen der Garantie nicht repariert werden.

Um das Kraftstoffsystem vor Gummibildung und Korrosion zu schützen, mischen Sie einen alkoholfreien Kraftstoffstabilisator und eine Ethanolbehandlung in den Kraftstoff. Siehe Abschnitt **Aufbewahrung**. Nicht alle Kraftstoffe sind gleich. Falls Probleme beim Starten oder mit der Leistung auftreten, wechseln Sie Ihre Tankstelle oder die Kraftstoffmarke. Der Motor ist für den Betrieb mit Benzin zugelassen. Das System zur Emissionskontrolle bei Vergasermotoren wird als EM (Motormodifikationen) bezeichnet. Die Emissionskontrollsysteme für Motoren mit elektronischer Kraftstoffeinspritzung sind ECM (Engine Control Module), MFI (Multiport Fuel Injection), TBI (Throttle Body Fuel Injection) und, falls vorhanden, ein O2S (Oxygen Sensor).

Große Höhenlagen

Ab einer Höhenlage von 5000 Fuß (1524 m) über NN ist nur Benzin mit mindestens 85 Oktan/85 AKI (89 RON) zulässig.

Bei Vergasermotoren ist eine Einstellung für große Höhen erforderlich, damit die Leistung beibehalten wird. Der Betrieb ohne diese Anpassung führt zu verringerter Leistung, erhöhtem Kraftstoffverbrauch und erhöhten Emissionen. Bitte suchen Sie einen autorisierten Briggs & Stratton Dienstleistungsanbieter auf, um nähere Informationen zur Anpassung an große Höhenlagen zu erhalten. Der Betrieb des Motors in Höhen unter 2500 Fuß (762 m) über NN mit dem Kit für große Höhenlagen wird nicht empfohlen.

Für Motoren mit elektronischer Kraftstoffeinspritzung (EFI), ist eine Anpassung an große Höhenlagen nicht notwendig.

Kraftstoff nachfüllen



WARNUNG

Der Kraftstoff und seine Dämpfe sind entzündlich und explosiv. Feuer oder Explosionen können Verbrennungen oder den Tod zur Folge haben.

Beim Nachfüllen von Kraftstoff

- Stellen Sie den Motor ab. Vor dem Entfernen des Tankdeckels mindestens zwei (2) Minuten warten, um sicherzustellen, dass der Motor abgekühlt ist.
 - Füllen Sie den Kraftstofftank im Freien oder in einem Bereich mit guter Lüftung.
 - Füllen Sie nicht zu viel Kraftstoff in den Tank. Füllen Sie den Kraftstofftank nicht über die Unterkante des Tankstutzens auf, da sich der Kraftstoff ausdehnt.
 - Halten Sie den Kraftstoff von Funken, offenen Flammen, Zündflammen, Hitze oder anderen Zündquellen fern.
 - Untersuchen Sie die Kraftstoffleitungen, den Kraftstofftank, den Tankdeckel und die Verbindungen regelmäßig auf Sprünge oder Lecks. Tauschen Sie beschädigte Teile aus.
 - Sollte Kraftstoff auslaufen, warten Sie ab, bis dieser verdunstet ist, und lassen Sie erst dann den Motor an.
1. Reinigen Sie den Bereich um den Tankdeckel von Schmutz und Ablagerungen. Entfernen Sie den Tankdeckel.
 2. Befüllen Sie den Kraftstofftank (A, Abbildung 6) mit Kraftstoff. Füllen Sie den Kraftstoff nicht über die Unterkante des Tankstutzens (B) auf, denn der Kraftstoff wird sich ausdehnen.
 3. Setzen Sie den Tankdeckel wieder auf.

Motor anlassen



WARNUNG

Unbeabsichtigte Motorfunken können einen elektrischen Schlag, einen Brand oder eine Explosion verursachen und zu Verwicklungen, traumatischen Amputationen oder Verletzungen führen.

Vor Anpassungen oder Reparaturen:

- Klemmen Sie alle Zündkerzenkabel ab und halten Sie sie von den Zündkerzen fern.
- Klemmen Sie das Batteriekabel vom Minuspol der Batterie ab (nur bei Motoren mit Elektrostart).
- Immer die richtigen Werkzeuge verwenden.

Bei der Prüfung auf eine Zündung:

- Einen zugelassenen Zündkerzenprüfer verwenden.
- Zündung nicht bei entfernter Zündkerze überprüfen.



WARNUNG

Wenn das Starterseil schnell zurückspringt, werden Hand und Arm schneller zum Motor gezogen, als das Seil losgelassen werden kann. Es kann zu Knochenbrüchen, Prellungen oder Verstauchungen kommen.

- Um beim Starten des Motors einen Rückschlag zu vermeiden, ziehen Sie langsam am Starterseil, bis der Widerstand spürbar wird, und ziehen Sie dann einmal schnell.
- Trennen oder entfernen Sie alle externen Geräte- und Motorlasten, bevor Sie den Motor starten.
- Stellen Sie sicher, dass mit dem Motor verbundene Gerätekomponenten, z. B. Schnittmesser, Impeller, Seilscheiben, Zahnräder usw., sicher befestigt sind.



WARNUNG

GIFTGASGEFAHR. Motorabgase enthalten Kohlenmonoxid, ein giftiges Gas, das Sie innerhalb von Minuten töten kann. Auch wenn Sie keine Abgase riechen, können Sie trotzdem gefährlichem Kohlenmonoxid ausgesetzt sein. Wenn Sie sich während der Verwendung dieses Produkts übel, schwindlig oder schwach fühlen, gehen Sie SOFORT an die frische Luft. Suchen Sie einen Arzt auf. Sie könnten eine Kohlenmonoxidvergiftung haben.

- Kohlenmonoxid kann sich in Räumen ansammeln, in denen sich Menschen aufhalten. Betreiben Sie dieses Gerät NUR im Freien und abseits von Fenstern, Türen und Öffnungen, um das Risiko von Kohlenmonoxid zu senken.
- Installieren Sie batteriebetriebene Kohlenmonoxid-Warnmelder oder netzbetriebene Warnmelder mit Akku-Notstromversorgung entsprechend den Herstelleranweisungen. Rauchmelder reagieren nicht auf Kohlenmonoxid.
- Betreiben Sie dieses Gerät NICHT in Wohnungen, Garagen, Kellern, Zwischenräumen, Schuppen oder anderen geschlossenen Räumen, selbst wenn Sie Ventilatoren oder offene Fenster zur Belüftung verwenden. Nach dem Betrieb dieses Produkts kann sich Kohlenmonoxid schnell in diesen Räumen ansammeln und dort stundenlang verbleiben.
- Stellen Sie dieses Produkt IMMER in Windrichtung auf und richten Sie den Motorspuff weg von Räumen, in denen sich Menschen aufhalten.

HINWEIS

Dieser Motor wird von Briggs & Stratton ohne Öl geliefert. Gerätehersteller oder Händler können dem Motor Öl hinzugefügt haben. Bevor Sie den Motor zum ersten Mal starten, stellen Sie sicher, dass der Ölstand korrekt ist. Fügen Sie gemäß den Anleitungen in diesem Handbuch Öl hinzu. Wenn der Motor ohne Öl gestartet wird, treten Schäden auf und der Motor wird nicht im Rahmen der Garantie repariert werden.

HINWEIS: Ihr Gerät könnte über eine Fernsteuerung verfügen. Lage und Bedienung der Fernbedienungen entnehmen Sie bitte dem Gerätehandbuch.

Arten von Startsystemen

Bevor Sie den Motor starten, müssen Sie wissen, welche Art von Startsystem Ihr Motor hat. Ihr Motor hat eines dieser Systeme.

- **Elektronische Kraftstoffeinspritzung (EFI):** Ein EFI-System verfügt über keinen Choke und keine Ansaugpumpe.
- **Elektronisches Kraftstoffaufbereitungssystem:** Ein elektronisches Kraftstoffmanagementsystem hat ein elektronisches Steuergerät, das die Motor- und Temperaturbedingungen überwacht. Es hat keinen manuellen Choke und keine Ansaugpumpe.
- **Chokesystem:** Dieser Systemtyp verfügt über einen Choke für den Einsatz bei kühleren Temperaturen. Einige Modelle haben einen separaten Choke, andere wiederum eine Kombination aus Choke und Drosselklappe. Diese Ausführung hat keine Ansaugpumpe.

Elektronisches Kraftstoffeinspritzungs(EFI)-System

1. Überprüfen Sie den Ölstand des Motors. Siehe Abschnitt **Ölstandskontrolle**.
2. Darauf achten, dass die Bedienungselemente für den Geräteantrieb (falls vorhanden) ausgerüstet sind.
3. Den Kraftstoffhahn (A, Abb. 7), falls vorhanden, in die Position OFFEN stellen.
4. Den Stoppschalter (F, Abbildungen 7, 8), falls vorhanden, in die Stellung EIN schieben.
5. Den Gashebel (B, Abb. 8), falls vorhanden, auf die Position SCHNELL stellen. Den Motor in SCHNELLER Position laufen lassen.
6. **Rückspulstart, falls mit Schlüsselschalter ausgestattet:** Den Schlüsselschalter (D, Abbildungen 7, 8) in die Position EIN drehen.
7. **Rücklaufstarter, falls vorhanden:** Den Griff des Starterkabels (E, Abbildung 7, 8) festhalten. Langsam am Starterseilgriff ziehen, bis ein Widerstand zu spüren ist. Danach schnell ziehen.



WARNUNG

Der schnelle Rücklauf des Starter-Kabels (Kickback) zieht Ihre Hand oder Arm schneller in Richtung Motor, als Sie loslassen können. Letzteres kann zu Knochenbrüchen, Prellungen oder Verstauchungen führen. Um beim Starten des Motors einen Rückschlag zu vermeiden, ziehen Sie langsam am Starterseil, bis der Widerstand spürbar wird, und ziehen Sie dann einmal schnell.

8. **Elektrostart, falls vorhanden:** Den Elektrostartschalter (D, Abbildungen 7, 8) in die Position EIN oder START drehen.

HINWEIS Arbeiten Sie zur Verlängerung der Lebensdauer des Starters mit kurzen Startzyklen (höchstens fünf Sekunden). Warten Sie eine Minute zwischen den Start-Zyklen.

Wenn der Motor nach 3 oder 4 Versuchen nicht anspringt, wenden Sie sich an Ihren Händler oder gehen Sie zu vanguardpower.com bzw. rufen Sie 1-800-999-9333 an.

Elektronisches Kraftstoffaufbereitungssystem

- Überprüfen Sie den Ölstand des Motors. Siehe Abschnitt **Ölstandskontrolle**.
- Darauf achten, dass die Bedienelemente für den Geräteantrieb (falls vorhanden) ausgerastet sind.
- Den Kraftstoffhahn (A, Abb. 7), falls vorhanden, in die Position OFFEN stellen.
- Den Stoppschalter (F, Abbildungen 7, 8), falls vorhanden, in die Stellung EIN schieben.
- Den Gashebel (B, Abb. 8), falls vorhanden, auf die Position SCHNELL stellen. Den Motor in SCHNELLER Position laufen lassen.
- Rückpulstart, falls mit Schlüsselschalter ausgestattet:** Den Schlüsselschalter (D, Abbildungen 7, 8) in die Position EIN drehen.
- Rücklaufstarter, falls vorhanden:** Den Griff des Starterkabels (E, Abbildung 7, 8) festhalten. Langsam am Starterseilgriff ziehen, bis ein Widerstand zu spüren ist. Danach schnell ziehen.



WARNUNG

Der schnelle Rücklauf des Starter-Kabels (Kickback) zieht Ihre Hand oder Arm schneller in Richtung Motor, als Sie loslassen können. Letzteres kann zu Knochenbrüchen, Prellungen oder Verstauchungen führen. Um beim Starten des Motors einen Rückschlag zu vermeiden, ziehen Sie langsam am Starterseil, bis der Widerstand spürbar wird, und ziehen Sie dann einmal schnell.

- Elektrostart, falls vorhanden:** Den Elektrostartschalter (D, Abbildungen 7, 8) in die Position EIN oder START drehen.

HINWEIS Arbeiten Sie zur Verlängerung der Lebensdauer des Starters mit kurzen Startzyklen (höchstens fünf Sekunden). Warten Sie eine Minute zwischen den Start-Zyklen.

Wenn der Motor nach 3 oder 4 Versuchen nicht anspringt, wenden Sie sich an Ihren Händler oder gehen Sie zu vanguardpower.com bzw. rufen Sie 1-800-999-9333 an.

Chokesystem

- Überprüfen Sie den Ölstand des Motors. Siehe Abschnitt **Ölstand überprüfen und Öl nachfüllen**.
- Darauf achten, dass die Bedienelemente für den Geräteantrieb (falls vorhanden) ausgerastet sind.
- Den Kraftstoffhahn (A, Abb. 7), falls vorhanden, in die Position OFFEN stellen.
- Den Stoppschalter (F, Abbildungen 7, 8), falls vorhanden, in die Stellung EIN schieben.
- Den Gashebel (B, Abbildungen 7), falls vorhanden, in die Position SCHNELL bringen. Den Motor in SCHNELLER Position laufen lassen.
- Den Drosselregler (C, Abbildungen 9, 10) in die Position GESCHLOSSEN bewegen.

HINWEIS: Die Verwendung des Chokes ist in der Regel beim Neustart eines warmen Motors nicht notwendig.

- Rückpulstart, falls mit Schlüsselschalter ausgestattet:** Den Schlüsselschalter (D, Abbildungen 7, 8) in die Position EIN drehen.
- Rücklaufstarter, falls vorhanden:** Den Griff des Starterkabels (E, Abbildung 7, 8) festhalten. Ziehen Sie langsam am Starterseilzuggriff (E), bis Sie einen Widerstand spüren. Danach schnell ziehen.



WARNUNG

Der schnelle Rücklauf des Starter-Kabels (Kickback) zieht Ihre Hand oder Arm schneller in Richtung Motor, als Sie loslassen können. Letzteres kann zu Knochenbrüchen, Prellungen oder Verstauchungen führen. Um beim Starten des Motors einen Rückschlag zu vermeiden, ziehen Sie langsam am Starterseil, bis der Widerstand spürbar wird, und ziehen Sie dann einmal schnell.

- Elektrostart, falls vorhanden:** Den Schlüsselschalter (D, Abbildungen 7, 8) in die Position EIN oder START drehen.

HINWEIS

Arbeiten Sie zur Verlängerung der Lebensdauer des Starters mit kurzen Startzyklen (höchstens fünf Sekunden). Warten Sie eine Minute zwischen den Start-Zyklen.

- Wenn der Motor warmgelaufen ist, den Chokeregler (C, Abbildungen 9, 10) in die Position OFFEN bewegen.

HINWEIS: Wenden Sie sich an ihren Händler vor Ort, gehen Sie zu vanguardpower.com oder rufen Sie 1-800-999-9333 an, falls der Motor nach 2 bis 3 Versuchen nicht anspringt.

Stellen Sie den Motor AB



WARNUNG

Der Kraftstoff und seine Dämpfe sind entzündlich und explosiv. Feuer oder Explosionen können Verbrennungen oder den Tod zur Folge haben.

- Zum Abstellen des Motors nicht den Choke des Vergasers (falls vorhanden) benutzen.

- Stoppschalter, falls vorhanden:** Den Stoppschalter (F, Abbildung 11) in die Position AUS stellen.
- Schlüsselschalter, falls vorhanden:** Den Schlüsselschalter (D, Abbildung 11) in die Position AUS drehen, während sich der Gashebel (falls vorhanden) in der Position LANGSAM befindet. Den Schlüssel abziehen und an einem sicheren Ort außerhalb der Reichweite von Kindern aufbewahren.
- Sobald der Motor aus ist, den Kraftstoffhahn (A, Abb. 11), falls vorhanden, auf GESCHLOSSENE Position stellen.

Wartung Wartungsinformationen



WARNUNG

Der Kraftstoff und seine Dämpfe sind entzündlich und explosiv. Feuer oder Explosionen können Verbrennungen oder den Tod zur Folge haben.

Falls das Gerät während der Wartung gekippt werden muss, stellen Sie sicher, dass der Kraftstofftank, falls er am Motor angebracht ist, leer ist und die Zündkerzenseite nach oben zeigt. Wenn der Kraftstofftank nicht leer ist, könnte Kraftstoff auslaufen und ein Feuer oder eine Explosion verursachen. Wenn der Motor in eine andere Richtung gekippt wird, wird er nicht leicht starten, da der Luftfilter oder die Zündkerze mit Öl oder Kraftstoff verunreinigt ist.



WARNUNG

Unbeabsichtigte Motorfunken können einen elektrischen Schlag, einen Brand oder eine Explosion verursachen und zu Verwicklungen, traumatischen Amputationen oder Verletzungen führen.

Vor Anpassungen oder Reparaturen:

- Klemmen Sie alle Zündkerzenkabel ab und halten Sie sie von den Zündkerzen fern.
- Klemmen Sie das Batteriekabel vom Minuspol der Batterie ab (nur bei Motoren mit Elektrostart).
- Immer die richtigen Werkzeuge verwenden.

Bei der Prüfung auf eine Zündung:

- Einen zugelassenen Zündkerzenprüfer verwenden.
- Zündung nicht bei entfernter Zündkerze überprüfen.



WARNUNG

Ersatzteile müssen den Originalteilen entsprechen und in derselben Position angebracht werden. Andere Teile könnten zu Schäden oder Verletzungen führen.

HINWEIS

Für einen ordnungsgemäßen Betrieb müssen alle zum Bau dieses Motors verwendeten Komponenten an ihrem Platz bleiben.

Wenden Sie sich für alle Wartungs- und Instandhaltungsarbeiten am Motor und an den Motorteilen an eine Briggs & Stratton Vertragswerkstatt.

Emissionskontrolle

Kontaktieren Sie für Wartungs-, Austausch- oder Reparaturarbeiten an Geräten und Systemen zur Emissionskontrolle eine qualifizierte Werkstatt für Straßenfahrzeuge oder einen Servicetechniker. Für einen kostenlosen Emissionskontrollservice müssen die Arbeiten jedoch von einem zugelassenen Vertragshändler durchgeführt werden. Siehe die Erklärungen zur Emissionskontrolle.

Wartungsplan

8-Stunden-Intervall oder täglich
<ul style="list-style-type: none"> Den Motorölstand prüfen. Den Bereich um den Schalldämpfer und die Bedienelemente reinigen.
100-Stunden-Intervall oder jährlich

<ul style="list-style-type: none"> • Zündkerzen austauschen. • Wechseln Sie das Motoröl. • Ölfilter austauschen (falls vorhanden). • Den Luftfilter warten ¹. • Vorfilter reinigen (falls vorhanden) ¹. • Auspuffanlage warten.
250-Stunden-Intervall oder jährlich
<ul style="list-style-type: none"> • Ventilspiel prüfen. Bei Bedarf nachstellen.
400-Stunden-Intervall oder jährlich
<ul style="list-style-type: none"> • Luftfilter austauschen. • Wechseln Sie den Kraftstofffilter aus. • Luftkühlsystem warten ¹. • Ölkühlrippen reinigen ¹.

¹ Bei hohem Staubaufkommen oder bei Fremdkörpern in der Luft häufiger reinigen.

Elektronisches Kraftstoffeinspritzungs(EFI)-System

Das EFI-System überwacht Motortemperatur, Motordrehzahl und Batteriespannung für Start und Warmlauf des Motors. Am System können keine Einstellungen vorgenommen werden. Falls es zu Start- oder Betriebsstörungen kommt, wenden Sie sich bitte an eine Briggs & Stratton-Vertragswerkstatt.

HINWEIS Die folgenden Schritte sind genau zu befolgen, weil das EFI-System sonst beschädigt werden kann.

- Den Motor NIEMALS anlassen, wenn die Batteriekabel lose sind.
- Den Schlüssel auf die Position AUS drehen, bevor die Batterie gelöst, ausgebaut bzw. eingebaut wird.
- Zum Starten des Motors KEIN Batterieladegerät verwenden.
- Die Batteriekabel dürfen während des Motorbetriebs NICHT abgeklemmt werden.
- Beim Anschluss der Batteriekabel zuerst das positive (+) Kabel und dann das negative (-) Kabel an die Batterie anschließen.
- Zum Laden der Batterie den Zündschalter auf die Position AUS drehen und das negative (-) Kabel von der Batterie abziehen.
- KEIN Wasser direkt auf das elektronische Steuermodul spritzen.

Elektronisches Kraftstoffmanagementsystem

Das elektronische Kraftstoffmanagementsystem überwacht die Motortemperatur, die Motordrehzahl und die Batteriespannung, um den Choke beim Starten und Warmlaufen des Motors anzupassen. Am System können keine Einstellungen vorgenommen werden. Falls es zu Start- oder Betriebsstörungen kommt, sprechen Sie bitte mit einer Briggs & Stratton-Vertragswerkstatt.

HINWEIS Befolgen Sie unbedingt diese Regeln, da sonst das elektronische Kraftstoffmanagementsystem beschädigt werden kann.

- Den Motor NIEMALS anlassen, wenn die Batteriekabel lose sind.
- Vor dem Verbinden von Starthilfekabeln oder dem Trennen oder erneuten Verbinden von Batteriekabeln muss der Zündschalter in die AUS-Stellung gebracht werden. Beim Aufladen der Batterie muss der Zündschalter in die AUS-Stellung gebracht werden.
- Beim Trennen der Batteriekabel von der Batterie zuerst das negative (-) Kabel und dann das positive (+) Kabel von der Batterie trennen. Beim Anschluss der Batteriekabel an die Batterie zuerst das positive (+) Kabel und dann das negative (-) Kabel an der Batterie anschließen.
- Zum Starten des Motors KEIN Batterieladegerät verwenden.
- Die Batteriekabel dürfen während des Motorbetriebs NICHT abgeklemmt werden.
- Sprühen Sie KEIN Wasser direkt auf die elektronische Steuereinheit.

Vergaser und Motordrehzahl

Nehmen Sie keine Einstellungen am Vergaser, an der Reglerfeder, am Gestänge oder an anderen Teilen vor, um die Motordrehzahl einzustellen. Wenn Anpassungen erforderlich sind, wenden Sie sich für die Wartung an einen autorisierten Briggs & Stratton Service-Händler.

HINWEIS

Der Gerätehersteller gibt die Höchstdrehzahl für den am Gerät installierten Motor an. Diese Drehzahl nicht überschreiten. Falls Sie nicht sicher sind, wie hoch die maximale Drehzahl für das Gerät ist oder welche Motordrehzahl ab Werk eingestellt wurde, wenden Sie sich bitte an eine Briggs & Stratton-Vertragswerkstatt. Für sicheren und einwandfreien Betrieb des Geräts darf die Motordrehzahl nur von einem qualifizierten Servicetechniker eingestellt werden.

Warten der Zündkerze

Den Elektrodenabstand (A, Abbildung 12) mit einer Drahtlehre (B) kontrollieren. Bei Bedarf den Zündkerzen-Elektrodenabstand einstellen. Die Zündkerze einsetzen und mit dem empfohlenen Anzugswert festziehen. Angaben zu Abstand und Drehmoment finden Sie im Abschnitt **Spezifikationen**.

Warten der Auspuffanlage



WARNUNG

Während des Betriebs werden der Motor und Schalldämpfer heiß. Wenn Sie einen heißen Motor berühren, können Verbrennungen auftreten.

Brennbare Materialien, z. B. Blätter, Gras, Büsche, können in Brand geraten.

- Bevor Sie den Motor oder Schalldämpfer anfassen, stellen Sie den Motor ab und warten Sie zwei (2) Minuten. Stellen Sie sicher, dass Motor und Schalldämpfer gefahrlos berührt werden können.
- Entfernen Sie Rückstände von Schalldämpfer und Motor.

Wenn Sie den Motor in der Nähe von wald-, busch- oder grasbedeckten Flächen verwenden, verstoßen Sie gegen Abschnitt 4442 des Öffentliche Vorschrift zur Verwendung von Rohstoffen von Kalifornien (California Public Resource Code), es sei denn, er ist, wie in Abschnitt 4442 beschrieben, mit einem Funkenfänger ausgestattet, dessen betriebsfähiger Zustand aufrechterhalten wird. In anderen Staaten oder föderalen Rechtsordnungen gelten möglicherweise ähnliche Gesetze; siehe Federal Regulation, 36 CFR, Teil 261.52. Einen passenden Funkenfänger für die an diesem Motor installierte Auspuffanlage finden Sie beim Gerätehersteller oder Händler.

Ablagerungen vom Schalldämpfer und Zylinder entfernen. Untersuchen Sie den Schalldämpfer auf Risse, Korrosion oder andere Schäden. Entfernen Sie das Ablenkblech oder den Funkenfänger, falls vorhanden, und untersuchen Sie es auf Beschädigungen oder Kohlenstoffverstopfung. Falls Schäden gefunden werden, müssen vor der Inbetriebnahme die Ersatzteile eingebaut werden.



WARNUNG

Ersatzteile müssen den Originalteilen entsprechen und in derselben Position angebracht werden. Andere Teile könnten zu Schäden oder Verletzungen führen.

Motoröl wechseln



WARNUNG

Der Kraftstoff und seine Dämpfe sind entzündlich und explosiv. Feuer oder Explosionen können Verbrennungen oder den Tod zur Folge haben.

Während des Betriebs werden der Motor und Schalldämpfer heiß. Wenn Sie einen heißen Motor berühren, können Verbrennungen auftreten.

- Wenn Sie das Öl über das oben befindliche Ölfüllrohr ablassen, muss der Kraftstofftank leer sein. Wenn er nicht leer ist, könnte Kraftstoff auslaufen und ein Feuer oder eine Explosion verursachen.
- Bevor Sie den Motor oder Schalldämpfer anfassen, stellen Sie den Motor ab und warten Sie zwei (2) Minuten. Stellen Sie sicher, dass Motor und Schalldämpfer gefahrlos berührt werden können.

Altöl ist Sondermüll, der ordnungsgemäß entsorgt werden muss. Es gehört nicht in den Hausmüll. Fragen Sie bei Ihren örtlichen Behörden, Ihrem Dienstleistungsbetrieb oder Händler nach sicheren Entsorgungs-/Recyclingeinrichtungen.

Ablassen von Öl

1. Bei ABGESTELLTEM aber noch warmem Motor das bzw. die Zündkerzenkabel (D, Abbildung 13) abziehen und von der bzw. den Zündkerze(n) (E) fernhalten.
2. Den Ölmesstab (A, Abbildungen 14, 15) herausziehen.
3. Die Ölablassschraube (F, Abbildungen 16, 17) entfernen. Lassen Sie das Öl in einen zugelassenen Behälter ab.
4. Die Ölablassschraube einsetzen und festziehen (F, Abbildungen 16, 17).

Ölfilter wechseln, falls vorhanden

1. Öl aus dem Motor ablassen. Siehe Abschnitt **Ablassen von Öl**.
2. Den Ölfilter (G, Abbildungen 18, 19) entfernen und das Öl ordnungsgemäß entsorgen.
3. Schmieren Sie die Gummidichtung des Ölfilters leicht mit sauberem Öl, bevor Sie den neuen Ölfilter montieren.
4. Schrauben Sie den Ölfilter per Hand fest, bis die Dichtung Kontakt mit dem Ölfilteradapter hat. Ziehen Sie anschließend den Ölfilter mit einer 1/2- bis 3/4-Drehung fest.

- Füllen Sie Öl nach. Siehe Abschnitt **Füllen Sie Öl nach**.
- Starten und betreiben Sie den Motor. Überprüfen Sie auf auslaufendes Öl, wenn der Motor warmgelaufen ist.
- Stellen Sie den Motor ab. Vergewissern Sie sich, dass der Ölstand über der Vollanzeige am Messstab liegt. Siehe Abschnitt **Füllen Sie Öl nach**.

Füllen Sie Öl nach

- Achten Sie darauf, dass der Motor waagrecht steht.
 - Entfernen Sie jegliche Verschmutzungen vom Öleinfüllbereich.
 - Zum Ölfassungsvermögen siehe Abschnitt **Spezifikationen**.
- Den Ölmesstab (A, Abbildungen 20, 21) herausziehen. Wischen Sie das Öl mit einem sauberen Tuch vom Ölmesstab.
 - Füllen Sie langsam Öl in den Motoröleinfüllstutzen (C, Abbildungen 20, 21). **Nicht überfüllen**. Warten Sie eine Minute, und prüfen Sie anschließend den Ölstand.
 - Den Ölmesstab einsetzen und festziehen (A, Abbildungen 20, 21).
 - Ziehen Sie den Messstab heraus und kontrollieren Sie den Ölstand. Bei korrektem Ölstand steht das Öl bis zur Voll-Markierung (B, Abbildungen 20, 21) auf dem Ölmesstab.
 - Den Ölmesstab einsetzen und festziehen (A, Abbildungen 20, 21).
 - Schließen Sie das (die) Zündkerzenkabel (D, Abbildung 20) an der (den) Zündkerze(n) an.

Warten des Luftfilters



WARNUNG
Kraftstoffdämpfe sind entzündlich und explosiv. Feuer oder Explosionen können Verbrennungen oder den Tod zur Folge haben.

- Niemals den Motor mit abgenommener Luftfilter-Baugruppe (falls vorhanden) oder Filtereinsatz (falls vorhanden) starten oder betreiben.

HINWEIS

Verwenden Sie zur Reinigung des Filters keine Druckluft und keine Lösungsmittel. Druckluft könnte den Filter beschädigen, und Lösungsmittel zersetzen ihn.

Siehe **Wartungsplan** für Wartungsanforderungen.

Einige Modelle haben einen optionalen Vorreiniger, der gereinigt und wieder verwendet werden kann. Vergleichen Sie die Abbildungen in diesem Handbuch mit dem an Ihrem Motor installierten Typ.

- Modelle ohne Kraftstofftank:** Die Befestigungselement(e) (A, Abb. 22) lösen und den Deckel (B) abnehmen.
- Modelle mit Kraftstofftank:** Die Befestigung(en) (C, Abbildung 23) und die Abdeckung (D) entfernen.
- Die Mutter (D, Abbildungen 22, 23) und die Halterung (E) entfernen.
- Den Luftfilter (F, Abbildungen 22, 23) entfernen.
- Den Vorreiniger (G, Abbildungen 22, 23), falls vorhanden, vom Luftfilter (F) abnehmen.
- Um Verunreinigungen zu lösen, mit dem Filter (F, Abbildungen 22, 23) leicht auf eine harte Oberfläche klopfen. Den Luftfilter durch einen neuen ersetzen, falls er schmutzig ist.
- Den Vorreiniger (G, Abbildungen 22, 23), falls vorhanden, in flüssigem Reinigungsmittel und Wasser reinigen. Den Vorfilter an der Luft vollständig trocknen lassen. Den Vorfilter **NICHT** schmieren.
- Den Trockenvorreiniger (G, Abbildungen 22, 23), falls vorhanden, an den Luftfilter (F) montieren.
- Den Luftfilter (F, Abbildungen 22, 23) montieren und mit der Halterung (E) und der Mutter (D) befestigen.
- Die Abdeckung (B, Abbildungen 22, 23) einbauen.

Warten der Kraftstoffanlage



WARNUNG
Der Kraftstoff und seine Dämpfe sind entzündlich und explosiv. Feuer oder Explosionen können Verbrennungen oder den Tod zur Folge haben.

- Halten Sie den Kraftstoff von Funken, offenen Flammen, Zündflammen, Hitze oder anderen Zündquellen fern.
- Untersuchen Sie die Kraftstoffleitungen, den Kraftstofftank, den Tankdeckel und die Verbindungen regelmäßig auf Sprünge oder Lecks. Tauschen Sie beschädigte Teile aus.
- Sollte Kraftstoff auslaufen, warten Sie ab, bis dieser verdunstet ist, und lassen Sie erst dann den Motor an.

Kraftstofffilter, falls vorhanden

- Bevor Sie den Kraftstofffilter austauschen (A, Abbildung 24), den Kraftstofftank entleeren oder das Kraftstoffabsperrenventil schließen. Wenn der Kraftstofftank nicht entleert wird, kann Kraftstoff austreten und einen Brand oder eine Explosion verursachen.
- Drücken Sie die Laschen (B, Abbildung 24) mit einer Zange an den Schellen (C) zusammen. Schieben Sie die Schellen vom Kraftstofffilter (A) weg.
- Drehen und ziehen Sie die Kraftstoffleitungen (D, Abbildung 24) vom Kraftstofffilter ab.
- Untersuchen Sie die Kraftstoffleitungen (D, Abbildung 24) auf Risse oder Lecks. Gegebenenfalls sind die Kraftstoffleitungen zu ersetzen.
- Den Kraftstofffilter (A, Abbildung 24).
- Die Kraftstoffleitungen (D, Abbildung 24) mit den Klemmen (C) befestigen.

Warten des Kühlsystems



WARNUNG
Während des Betriebs werden der Motor und Schalldämpfer heiß. Wenn Sie einen heißen Motor berühren, können Verbrennungen auftreten.

Brennbare Rückstände, z. B. Blätter, Gras und Büsche, können in Brand geraten.

- Bevor Sie den Motor oder Schalldämpfer anfassen, stellen Sie den Motor ab und warten Sie zwei (2) Minuten. Stellen Sie sicher, dass Motor und Schalldämpfer gefahrlos berührt werden können.
- Entfernen Sie Rückstände von Schalldämpfer und Motor.

HINWEIS

Den Motor nicht mit Wasser reinigen. Wasser könnte das Kraftstoffsystem verunreinigen. Den Motor mit einer Bürste oder einem trockenen Lappen reinigen.

Es handelt sich hierbei um einen luftgekühlten Motor. Schmutz oder Fremdkörper können den Luftstrom einschränken und dazu führen, dass der Motor zu heiß wird. Dies führt zu Leistungseinbußen und verkürzt die Motorlebensdauer.

- Entfernen Sie Fremdkörper mit einer Bürste oder einem trockenen Lappen vom Lufterlassgitter.
- Halten Sie Gestänge, Federn und Bedienelemente sauber.
- Den Bereich um und hinter dem Schalldämpfer, falls vorhanden, von brennbaren Fremdkörpern frei halten.
- Sicherstellen, dass die Ölkühlrippen, falls vorhanden, sauber sind.

Mit der Zeit kann sich an den Zylinder-Kühlrippen Schmutz ansammeln und zu einer Überhitzung des Motors führen. Diese unerwünschten Stoffe können nicht ohne teilweise Zerlegung des Motors entfernt werden. Lassen Sie das Luftkühlungssystem entsprechend den Empfehlungen im **Wartungsplan** von einer Briggs & Stratton-Vertragswerkstatt kontrollieren und reinigen.

Aufbewahrung Kraftstoffanlage

Siehe hierzu Abbildung 25.



WARNUNG
Der Kraftstoff und seine Dämpfe sind entzündlich und explosiv. Feuer oder Explosionen können Verbrennungen oder den Tod zur Folge haben.

Aufbewahrung von Kraftstoff

- Da Zündflammen oder andere Zündquellen Explosionen verursachen können, dürfen Kraftstoff oder das Gerät niemals in der Nähe von Öfen, Herden, Warmwasserbereitern oder ähnlichen Geräten mit Dauerflammen abgestellt werden.

Stellen Sie den Motor in horizontaler Position ab (normale Betriebsposition). Befüllen Sie den Kraftstofftank (A, Abbildung 25) mit Kraftstoff. Füllen Sie den Kraftstoff nicht über den Kraftstofftankstutzen (B) hinaus auf, damit sich das Benzin ausdehnen kann.

Wenn Kraftstoff für mehr als 30 Tage in einem Lagerbehälter aufbewahrt wird, kann er unbrauchbar werden. Der Einsatz eines alkoholfreien Kraftstoffstabilisators und eine Behandlung des Kraftstofflagerbehälters mit Ethanol wird empfohlen, um eine Beeinträchtigung des Kraftstoffs zu verhindern und den Kraftstoff frisch zu halten.

Geben Sie beim Befüllen des Kraftstoffbehälters mit Kraftstoff einen gemäß Herstellerangaben vorgegebenen alkoholfreien Kraftstoffstabilisator hinzu. Falls der Kraftstoff im Motor nicht mit einem Kraftstoffstabilisator behandelt wurde, muss er in einen hierfür zugelassenen Behälter abgelassen werden. Lassen Sie den Motor so lange laufen, bis der Kraftstoff aufgebraucht ist.

Motoröl

Bei noch warmem Motor das Motoröl wechseln. Siehe hierzu Abschnitt **Motoröl wechseln**.

Fehlersuche und -behebung

Unterstützung

Wenden Sie sich an Ihren Händler vor Ort oder besuchen Sie die Website **BRIGGSandSTRATTON.COM** oder rufen Sie an unter **1-800-444-7774** (nur in USA).

Spezifikationen

Spezifikationen und Ersatzteile

MODELLE: 290000, 300000	
Hubraum	29.23 ci (479 ccm)
Bohrung	2.677 Zoll (68 mm)
Hub	2.598 Zoll (66 mm)
Ölfassungsvermögen	46 - 48 Unzen (1,36 - 1,42 l)
Zündkerzenabstand	.030 Zoll (.76 mm)
Zündkerzen-Anzugswert	180 Pfund-Zoll (20 Nm)
Ankerluftspalt – Vergasermotoren	.008 - .012 Zoll (.20 - .30 mm)
Einlassventilspiel	.004 - .006 Zoll (.10 - .15 mm)
Auslassventilspiel	.004 - .006 Zoll (.10 - .15 mm)

MODELL: 350000	
Hubraum	34.78 ci (570 ccm)
Bohrung	2.835 Zoll (72 mm)
Hub	2.756 Zoll (70 mm)
Ölfassungsvermögen	46 - 48 Unzen (1,36 - 1,42 l)
Zündkerzenabstand	.030 Zoll (.76 mm)
Zündkerzen-Anzugswert	180 Pfund-Zoll (20 Nm)
Ankerluftspalt – Vergasermotoren	.008 - .012 Zoll (.20 - .30 mm)
Einlassventilspiel	.004 - .006 Zoll (.10 - .15 mm)
Auslassventilspiel	.004 - .006 Zoll (.10 - .15 mm)

MODELL: 380000	
Hubraum	38.26 ci (627 ccm)
Bohrung	2.972 Zoll (75,5 mm)
Hub	2.756 Zoll (70 mm)
Ölfassungsvermögen	46 - 48 Unzen (1,36 - 1,42 l)
Zündkerzenabstand	.030 Zoll (.76 mm)
Zündkerzen-Anzugswert	180 Pfund-Zoll (20 Nm)
Ankerluftspalt, Vergasermotoren	.008 - .012 Zoll (.20 - .30 mm)
Einlassventilspiel	.004 - .006 Zoll (.10 - .15 mm)
Auslassventilspiel	.004 - .006 Zoll (.10 - .15 mm)

Die Motorleistung nimmt alle 1.000 Fuß (300 Meter) über Meeresniveau um jeweils 3,5 % und alle 10 °F (5,6 °C) oberhalb von 77 °F (25 °C) um jeweils 1 % ab. Der Motor läuft zufriedenstellend bei einem Winkel bis zu 15°. Siehe die Bedienungsanleitung für zulässige Grenzwerte für den sicheren Betrieb am Hang.

MODELLE: 290000, 300000, 350000, 380000	
Ersatzteil	Teilenummer
Luftfilter (mit Kraftstofftank, Abbildung 23)	383857
Luftfilter (außer Modell 380000, Abbildung 22)	394018
Luftfilter (Modell 380000, 22)	692519
Luftfilter, Vorreiniger (mit Kraftstofftank, Abbildung 23)	271794
Luftfilter, Vorreiniger (außer Modell 380000, Abbildung 22)	272490
Luftfilter, Vorreiniger (Modell 380000, Abbildung 22)	692520
Öl – SAE 30	100028
Ölfilter	842921
Kraftstofffilter (mit Kraftstofftank)	808116

MODELLE: 290000, 300000, 350000, 380000

Kraftstofffilter (mit Kraftstoffpumpe)	845125
Kraftstofffilter (ohne Kraftstoffpumpe)	298090
Widerstandszündkerze	491055S
Langlebige Platin-Zündkerze	696202, 5066K
Zündkerzenschlüssel	19576S
Funkenprüfer	84003327

Wir empfehlen Ihnen, sich für Wartungsarbeiten am Motor und an Motorteilen an einen Briggs & Stratton-Vertragshändler zu wenden.

Nennleistungen

Die Bruttonennleistung für die einzelnen Modelle mit gasbetriebenen Motor wird in Übereinstimmung mit SAE-Code (Society of Automotive Engineers) J1940 (Small Engine Power & Torque Rating Procedure) angegeben und gemäß SAE J1995 bewertet. Die Drehmomentwerte wurden für die Motoren, die auf dem Etikett mit „rpm“ (U/min) versehen sind, bei 2600 U/min. und für alle anderen bei 3060 U/min. ermittelt, die PS-Werte bei 3600 U/min. Die Leistungskennlinien können unter www.BRIGGSandSTRATTON.COM angesehen werden. Die Nettoleistungswerte wurden mit montiertem Auspuff und Luftreiniger gemessen, während die Bruttoleistungswerte ohne diese Anbauten ermittelt wurden. Die tatsächliche Bruttomotorleistung ist höher als die Nutzleistung des Motors und wird u.a. durch die Betriebsbedingungen und Abweichungen von Motor zu Motor bestimmt. In Anbetracht der breiten Vielfalt an Produkten, in die Motoren eingebaut werden, kann es sein, dass der Motor nicht die bewertete Bruttoleistung entwickelt, wenn er in einem bestimmten motorgetriebenen Gerät verwendet wird. Dieser Unterschied lässt sich auf eine Vielfalt von Faktoren zurückführen, einschließlich u.a. Vielfalt der Motorkomponenten (Luftreiniger, Auspuff, Ladung, Kühlung, Vergaser, Kraftstoffpumpe etc.), Einschränkungen bezüglich der Anwendung, Betriebsbedingungen (Temperatur, Luftfeuchtigkeit, Einsatzhöhe) und Abweichungen von Motor zu Motor. Auf Grund von Herstellungs- und Kapazitätsbegrenzungen kann Briggs & Stratton einen Motor dieser Serie durch einen Motor mit einer höheren Leistung ersetzen.

Garantie

Briggs & Stratton® Motorgarantie

Gültig ab August 2022

Beschränkte Garantie

Briggs & Stratton garantiert, dass während des unten angegebenen Garantiezeitraums jedes Teil, das Material- oder Verarbeitungsfehler oder beides aufweist, kostenlos repariert oder durch ein neues, überholtes oder nachgefertigtes Teil nach Ermessen von Briggs & Stratton ersetzt wird. Die beim Einschicken des Produkts zwecks Reparatur oder Austausch gemäß dieser Garantie entstehenden Transportkosten sind vom Käufer zu tragen. Diese Garantie ist für die Zeiträume und unter den unten genannten Bedingungen wirksam. Hinsichtlich Garantieleistungen finden Sie die nächstgelegene Vertragswerkstatt auf unserer Händler suchekarte unter BRIGGSandSTRATTON.COM. Der Käufer muss den Vertragshändler kontaktieren und diesem das Produkt für die Prüfungen und Tests zur Verfügung stellen.

Es besteht keine andere ausdrückliche Garantie. Stillschweigende Garantien, einschließlich derer der Marktgängigkeit und der Eignung für einen bestimmten Zweck, sind auf ein Jahr ab Kauf oder auf den gesetzlich zulässigen Umfang beschränkt. Alle anderen stillschweigenden Garantien sind ausgeschlossen. Die Haftung für beiläufig entstandene Schäden oder Folgeschäden ist ausgeschlossen, soweit der Ausschluss gesetzlich zulässig ist. In einigen Staaten ist die Dauer der implizierten Garantie bzw. die Ausnahme oder Beschränkung von Folge- oder Begleitschäden nicht zulässig, daher könnte die oben genannte Beschränkung oder Ausnahme eventuell nicht auf Sie zutreffen. Diese Garantieleistung verleiht Ihnen bestimmte Rechte neben denen Sie noch andere Rechte haben können, die von Land zu Land abweichen.

Standard-Garantiefristen^{1, 2}

Vanguard®, Kommerzielle Serie

Private Verwendung – 36 Monate

Gewerbliche Verwendung – 36 Monate

XR Series

Private Verwendung – 24 Monate

Gewerbliche Verwendung – 24 Monate

Alle anderen Motoren mit Dura-Bore™-Gusseisenlaufbuchse

Private Verwendung – 24 Monate

Gewerbliche Verwendung – 12 Monate

Alle anderen Motoren

Private Verwendung – 24 Monate

Gewerbliche Verwendung – 3 Monate

¹ Dies sind unsere Standard-Garantiebedingungen, aber gelegentlich kann es zusätzliche Garantieleistungen geben, die zum Zeitpunkt der Veröffentlichung noch nicht festgelegt waren. Eine Auflistung der aktuellen Garantiebedingungen für Ihren Motor finden Sie unter BRIGGSandSTRATTON.COM oder wenden Sie sich an Ihren autorisierten Briggs & Stratton Service-Händler.

² Es besteht keine Garantie für Motoren von Geräten, die anstelle eines Stromversorgers für die Hauptstromversorgung verwendet werden, für Standby-Generatoren, die für gewerbliche Zwecke eingesetzt werden, für Nutzfahrzeuge mit einer Geschwindigkeit von mehr als 25 MPH oder für Motoren, die im Rennsport oder auf gewerblichen oder Mietstrecken eingesetzt werden.

* In Australien werden unsere Waren mit Garantien geliefert, die nach dem australischen Verbrauchergesetz nicht ausgeschlossen werden können. Bei erheblichen Fehlern haben Sie Anspruch auf Ersatz oder Erstattung sowie auf Schadensersatz bei weiteren angemessenen vorhersehbaren Verlusten oder Schäden. Darüber hinaus haben Sie Anspruch auf Reparatur oder Ersatz der Waren, falls diese nicht die zu erwartende Qualität aufweisen und der Defekt keinen erheblichen Fehler darstellt. Für Garantieleistungen finden Sie den nächstgelegenen autorisierten Händler auf unserer Händlersuchkarte unter BRIGGSandSTRATTON.COM oder telefonisch unter 1300 274 447, per E-Mail oder schriftlich an salesenquiries@briggsandstratton.com.au, Briggs & Stratton Australia Pty Ltd, 1 Moorebank Avenue, Moorebank, NSW, Australia, 2170.

Die Garantiezeit beginnt mit dem Datum des Kaufs durch den ersten Endverbraucher oder gewerblichen Endnutzer und gilt für den in der obigen Tabelle angegebenen Zeitraum. „Endverbraucher-Nutzung“ bedeutet die private Verwendung im eigenen Haushalt durch einen Einzelhandelskunden. „Gewerbliche Verwendung“ bedeutet alle anderen Verwendungszwecke, einschließlich gewerblicher Zwecke, Zwecke zum Erzielen eines Einkommens oder für Maschinenverleih. Sobald ein Motor einmal gewerblich eingesetzt worden ist, wird er für die Zwecke dieser Gewährleistung auch weiterhin als Motor für den gewerblichen Einsatz angesehen.

Für den Erhalt der Garantie auf Briggs & Stratton-Produkte ist keine Garantierregistrierung erforderlich. Bewahren Sie Ihren Kaufbeleg auf. Wenn Sie zum Zeitpunkt der Beantragung der Garantieleistung keinen Nachweis über das Datum des Erstkaufs erbringen, wird das Herstellungsdatum des Produkts zur Bestimmung der Garantiezeit herangezogen.

Zur Garantie

Diese Garantie deckt nur Material- und/oder Verarbeitungsschäden am Motor ab und nicht den Austausch oder die Rückerstattung für das Gerät, an dem der Motor installiert ist. Routinemäßige Wartungsarbeiten, Einstellungen oder normale Abnutzung sind nicht Gegenstand dieser Garantie. Die Garantie erlischt, wenn der Motor modifiziert oder die Seriennummer des Motors beschädigt oder entfernt wurde. Die Garantie deckt keine Motorschäden oder Leistungsprobleme ab, die durch Folgendes hervorgerufen werden:

1. Die Verwendung von Teilen, die keine Briggs & Stratton-Originalteile sind;
2. Den Betrieb von Motoren mit zu wenig oder verschmutztem Öl oder einer falschen Schmierölsorte;
3. Die Verwendung von verunreinigtem oder altem Kraftstoff, von Benzin mit einem Ethanolanteil von mehr als 10 % oder von alternativen Kraftstoffen wie Flüssiggas oder Erdgas in Motoren, die nicht ursprünglich von Briggs & Stratton für den Betrieb mit solchen Kraftstoffen entwickelt/hergestellt sind;
4. Schmutz, der durch unsachgemäße Wartung oder Wiedermontage des Luftfilters in den Motor gelangt ist;
5. Auftreffen eines Kreiselmäher-Schnittmessers auf einen harten Gegenstand, lose oder unsachgemäß installierte Messeradapter, Impeller oder andere, an die Kurbelwelle angekuppelte Vorrichtungen oder zu hohe Keilriemenspannung;
6. Dazugehörige Teile oder Baugruppen wie Kupplungen, Getriebe, Geräte Bedienelemente usw., die nicht von Briggs & Stratton stammen;
7. Überhitzung infolge der Blockierung der Kühlrippen oder des Schwungradbereichs durch geschnittenes Gras, Schmutz, Fremdkörper oder Nagetiernester oder durch den Betrieb des Motors bei ungenügender Belüftung;
8. Zu starke Vibration durch Überdrehen, lose oder ungleichmäßige Schnittmesser oder Impeller oder ein unsachgemäßes Ankuppeln von Gerätekomponenten an die Kurbelwelle;
9. Missbrauch, Mängel bei der Routine-Wartung, dem Transport, der Handhabung oder der Lagerung des Geräts oder unsachgemäße Motorinstallation.

Der Garantieservice ist nur über Vertragswerkstätten von Briggs & Stratton erhältlich. Finden Sie die nächstgelegene Vertragswerkstatt auf unserer Händlersuchkarte unter BRIGGSandSTRATTON.COM oder indem Sie die Telefonnummer 1-800-444-7774 anrufen (nur in USA).

80114782 (Überarbeitung A)

Γενικές πληροφορίες



Το παρόν εγχειρίδιο περιέχει τις πληροφορίες ασφαλείας σχετικά με τους κινδύνους και το ρίσκο που σχετίζονται με τον κινητήρα και τον τρόπο αποφυγής τους. Περιλαμβάνει επίσης τη σωστή λειτουργία και συντήρηση αυτού του κινητήρα. Είναι σημαντικό να διαβάσετε, να κατανοήσετε και να ακολουθείτε αυτές τις οδηγίες. **Φυλάξτε το παρόν εγχειρίδιο για μελλοντική αναφορά.**

ΣΗΜΕΙΩΣΗ: Τα σχήματα και οι εικόνες στο παρόν εγχειρίδιο παρέχονται μόνο για λόγους ενημέρωσης και μπορεί να διαφέρουν από το δικό σας μοντέλο. Χρησιμοποιήστε τις εικόνες που συμφωνούν με τη διαμόρφωση του κινητήρα σας. Εάν είναι απαραίτητο, απευθυνθείτε σε Εξουσιοδοτημένο αντιπρόσωπο σέρβις.

Καταγράψτε την ημερομηνία αγοράς, το μοντέλο του κινητήρα, τον τύπο, το επίπεδο εξοπλισμού και τον σειριακό αριθμό του κινητήρα για ανταλλακτικά. Οι αριθμοί αυτοί βρίσκονται στον κινητήρα σας. Ανατρέξτε στην ενότητα **Χαρακτηριστικά και χειριστήρια**.

Ημερομηνία αγοράς	
Μοντέλο κινητήρα - Τύπος - Κωδικός	
Σειριακός αριθμός κινητήρα	

Στοιχεία επικοινωνίας ευρωπαϊκού γραφείου

Για ερωτήσεις σχετικά με τις εκπομπές καυσαερίων στην Ευρώπη, επικοινωνήστε με το ευρωπαϊκό μας γραφείο στο:

Max-Born-Straße 2, 68519 Viernheim, Γερμανία.

Ευρωπαϊκή Ένωση (ΕΕ) φάσης V (5): Τιμές διοξειδίου του άνθρακα (CO2)

Εισάγετε CO2 στο παράθυρο αναζήτησης στο BriggsandStratton.com για να βρείτε τις τιμές διοξειδίου του άνθρακα των κινητήρων της Briggs & Stratton που διαθέτουν Πιστοποιητικό Έγκρισης Τύπου ΕΕ.

Πληροφορίες για την ανακύκλωση

		Ανακυκλώστε όλα τα χαρτοκιβώτια, τα κουτιά, το μεταχειρισμένο λάδι και τις μπαταρίες όπως ορίζεται από τους κρατικούς κανονισμούς.
--	--	--

Ασφάλεια χειριστή Σύμβολο συναγερμικής ειδοποίησης για θέματα ασφαλείας και προειδοποιητικές λέξεις



Το σύμβολο ειδοποίησης ασφαλείας προσδιορίζει πληροφορίες ασφαλείας σχετικά με τους κινδύνους που ενδέχεται να προκαλέσουν προσωπικό τραυματισμό. Μια προειδοποιητική λέξη (**ΚΙΝΔΥΝΟΣ**, **ΠΡΟΕΙΔΟΠΟΙΗΣΗ** ή **ΠΡΟΣΟΧΗ**) χρησιμοποιείται για να υποδείξει την πιθανότητα και την ενδεχόμενη σοβαρότητα τραυματισμού. Επιπλέον, χρησιμοποιείται ένα σύμβολο κινδύνου που υποδεικνύει τον τύπο του κινδύνου.

Η ένδειξη **ΚΙΝΔΥΝΟΣ** δηλώνει κίνδυνο ο οποίος, εάν δεν αποφευχθεί, **θα** προκαλέσει θάνατο ή σοβαρό τραυματισμό.

Η ένδειξη **ΠΡΟΕΙΔΟΠΟΙΗΣΗ** δηλώνει κίνδυνο ο οποίος, εάν δεν αποφευχθεί, **θα μπορούσε** να προκαλέσει θάνατο ή σοβαρό τραυματισμό.

Η ένδειξη **ΠΡΟΣΟΧΗ** δηλώνει κίνδυνο ο οποίος, εάν δεν αποφευχθεί, **θα μπορούσε** να προκαλέσει τραυματισμό μικρού ή μεσαίου βαθμού.

Η ένδειξη **ΕΠΙΣΗΜΑΝΣΗ** υποδεικνύει πληροφορίες που θεωρούνται σημαντικές αλλά δεν αφορούν σε κινδύνους.

Σύμβολα κινδύνου και τι σημαίνουν

	Προειδοποίηση ασφαλείας για κινδύνους που ενδέχεται να οδηγήσουν σε τραυματισμό.		Πριν θέσετε σε λειτουργία τη μονάδα ή εκτελέσετε εργασίες συντήρησης, πρέπει να διαβάσετε και να εμπεδώσετε το εγχειρίδιο χειριστή.
--	--	--	---

	Κίνδυνος πυρκαγιάς		Κίνδυνος έκρηξης
	Κίνδυνος ηλεκτροπληξίας		Κίνδυνος λόγω τοξικών αερίων
	Κίνδυνος από καυτή επιφάνεια		Κίνδυνος ανάδρασης
	Κίνδυνος ακρωτηριασμού - Κινούμενα εξαρτήματα		Στάθμη καυσίμου - Μείγση Μη γεμίζετε υπερβολικά

Μηνύματα για θέματα ασφαλείας



ΠΡΟΕΙΔΟΠΟΙΗΣΗ

Οι κινητήρες της Briggs & Stratton® δεν έχουν σχεδιαστεί και δεν προορίζονται για να δίνουν ισχύ σε: αυτοκίνητα αναψυχής (fun-kart, go-kart), παιδικά αυτοκινητάκια, οχήματα αναψυχής, πολυμορφικά οχήματα ή οχήματα παντός εδάφους (ATV), μοτοσικλέτες, αερόστρωμα οχήματα (χόβερκραφτ), αεροσκάφη ή αγωνιστικά οχήματα μη επιτρεπόμενα από την Briggs & Stratton. Για πληροφορίες σχετικά με τα αγωνιστικά προϊόντα, επισκεφθείτε τη σελίδα www.briggsracing.com. Για πολυμορφικά οχήματα και οχήματα παντός εδάφους και εκτός δρόμου, καλέστε το Κέντρο εφαρμογών ισχύος της Briggs & Stratton στον αριθμό 1-866-927-3349. Η εσφαλμένη χρήση του κινητήρα μπορεί να οδηγήσει σε σοβαρό τραυματισμό ή θάνατο.



ΠΡΟΕΙΔΟΠΟΙΗΣΗ

Το καύσιμο και οι αναθυμιάσεις είναι εύφλεκτες και εκρηκτικές. Πυρκαγιά ή έκρηξη μπορεί να οδηγήσει σε εγκαύματα ή θάνατο.

Κατά την προσθήκη καυσίμου

- Διακόψτε τη λειτουργία του κινητήρα. Πριν αφαιρέσετε την τάπα του ρεζερβουάρ καυσίμου, περιμένετε τουλάχιστον δύο (2) λεπτά για να βεβαιωθείτε ότι ο κινητήρας έχει κρυώσει.
- Γεμίστε το ρεζερβουάρ καυσίμου σε εξωτερικό χώρο ή σε περιοχή με καλή ροή του αέρα.
- Μη βάζετε υπερβολική ποσότητα καυσίμου στο ρεζερβουάρ. Για τη διαστολή του καυσίμου, μη γεμίζετε το ρεζερβουάρ καυσίμου πάνω από το κάτω μέρος του στομίου του.
- Το καύσιμο πρέπει να μένει μακριά από σπινθήρες, ανοιχτές φλόγες, φώτα ενάυματος, πηγές θερμότητας και άλλες πηγές ανάφλεξης.
- Ελέγχετε συχνά τις σωληνώσεις καυσίμου, το ρεζερβουάρ καυσίμου, την τάπα του ρεζερβουάρ και τις συνδέσεις για ρωγμές ή διαρροές. Αντικαθιστάτε τα κατεστραμμένα εξαρτήματα.
- Εάν χυθεί καύσιμο, περιμένετε να στεγνώσει πριν θέσετε σε λειτουργία τον κινητήρα.

Κατά την εκκίνηση του κινητήρα

- Βεβαιωθείτε ότι έχουν τοποθετηθεί σωστά το μπουζί, ο σιγαστήρας, η τάπα του ρεζερβουάρ καυσίμου και το φίλτρο αέρα (εφόσον υπάρχει).
- Μη θέτετε σε λειτουργία τον κινητήρα χωρίς το μπουζί.
- Εάν μπουκώσι ο κινητήρας, ρυθμίστε το σοκ (εφόσον υπάρχει) στη θέση ΑΝΟΙΧΤΟ ή ΛΕΙΤΟΥΡΓΙΑ. Μετακινήστε το γκάτζι (εφόσον υπάρχει) στη θέση ΓΡΗΓΟΡΑ και γυρίστε τον κινητήρα με τη μίζα μέχρι να πάρει μπροστά.
- Εάν υπάρχει διαρροή φυσικού αερίου ή υγραερίου στον χώρο, μην θέτετε σε λειτουργία τον κινητήρα.
- Επειδή οι αναθυμιάσεις είναι εύφλεκτες, μη χρησιμοποιείτε υγρά υπό πίεση για υποβοήθηση της εκκίνησης.

Κατά τη λειτουργία του εξοπλισμού

- Μη δίνετε κλίση στον κινητήρα ή στον εξοπλισμό σε γωνία τέτοια που να κάνει το καύσιμο να χυθεί.
- Μην ξεκινάτε εν ψυχρώ το καρμπυρατέρ (εφόσον υπάρχει) για να σταματήσετε τον κινητήρα.
- Μην ξεκινάτε ούτε να θέτετε σε λειτουργία τον κινητήρα όταν έχει αφαιρεθεί ο καθαριστήρας αέρα (εφόσον υπάρχει) ή το φίλτρο αέρα (εφόσον υπάρχει).

Κατά τη συντήρηση

- Εάν αποστραγγίσετε το λάδι από τον επάνω σωλήνα πλήρωσης λαδιού, το ρεζερβουάρ καυσίμου πρέπει να είναι άδειο. Εάν δεν είναι άδειο, μπορεί να προκληθεί διαρροή καυσίμου που να οδηγήσει σε πυρκαγιά ή έκρηξη.

- Κατά τη συντήρηση, εάν είναι απαραίτητο να γείρετε τη μονάδα, βεβαιωθείτε ότι το ρεζερβουάρ καυσίμου, αν είναι τοποθετημένο στον κινητήρα, είναι άδειο και ότι η πλευρά με το μπουζί βρίσκεται προς τα πάνω. Εάν το ρεζερβουάρ καυσίμου δεν είναι άδειο, μπορεί να προκληθεί διαρροή που να οδηγήσει σε πυρκαγιά ή έκρηξη.
- Ελέγχετε συχνά τις σωληνώσεις καυσίμου, το ρεζερβουάρ καυσίμου, την τάπα του ρεζερβουάρ και τις συνδέσεις για ρωγμές ή διαρροές. Αντικαθιστάτε τα κατεστραμμένα εξαρτήματα.
- Μην αλλάζετε το ελατήριο του ρυθμιστή ταχύτητας, τους συνδέσμους ή άλλα εξαρτήματα για να αυξήσετε την ταχύτητα του κινητήρα.
- Μη χτυπάτε τον σφόνδυλο με σφυρί ή άλλο σκληρό αντικείμενο. Κάτι τέτοιο μπορεί να οδηγήσει σε βλάβη του σφονδύλου κατά τη λειτουργία.
- Τα ανταλλακτικά πρέπει να είναι ίδια με τα γνήσια εξαρτήματα και να τοποθετούνται στην ίδια θέση με τα αρχικά εξαρτήματα. Άλλα εξαρτήματα ενδέχεται να προκαλέσουν ζημιά ή τραυματισμό.

Κατά τη μετακίνηση της θέσης του εξοπλισμού

- Βεβαιωθείτε ότι το ρεζερβουάρ καυσίμου είναι ΑΔΕΙΟ ή ότι η βαλβίδα διακοπής της παροχής καυσίμου βρίσκεται στη θέση ΚΛΕΙΣΤΗ.

Κατά την αποθήκευση καυσίμου ή εξοπλισμού με καύσιμο στο ρεζερβουάρ καυσίμου

- Επειδή οι ενδεικτικές λυχνίες ή άλλες πηγές ανάφλεξης μπορούν να προκαλέσουν εκρήξεις, κρατάτε το καύσιμο ή τον εξοπλισμό μακριά από καμίνους, θερμάστρες, θερμοσίφωνες ή άλλες συσκευές που διαθέτουν ενδεικτικές λυχνίες.



ΠΡΟΕΙΔΟΠΟΙΗΣΗ

Το καύσιμο και οι αναθυμιάσεις είναι εύφλεκτες και εκρηκτικές. Πυρκαγιά ή έκρηξη μπορεί να οδηγήσει σε εγκαύματα ή θάνατο.

Η εκκίνηση του κινητήρα προκαλεί σπινθήρα που μπορεί να οδηγήσει σε πυρκαγιά ή έκρηξη.

- Εάν υπάρχει διαρροή φυσικού αερίου ή υγραερίου στον χώρο, μην θέτετε σε λειτουργία τον κινητήρα.
- Επειδή οι αναθυμιάσεις είναι εύφλεκτες, μη χρησιμοποιείτε υγρά υπό πίεση για υποβοήθηση της εκκίνησης.



ΠΡΟΕΙΔΟΠΟΙΗΣΗ

ΚΙΝΔΥΝΟΣ ΔΗΛΗΤΗΡΙΩΔΟΥΣ ΑΕΡΙΟΥ. Τα αέρια που εκπέμπει ο κινητήρας περιέχουν μονοξειδίο του άνθρακα, ένα δηλητηριώδες αέριο το οποίο μπορεί να επιφέρει τον θάνατο μέσα σε λίγα λεπτά. Παρόλο που δεν μυρίζεται τα καυσαέρια, πάντα υπάρχει η πιθανότητα να εκτεθείτε σε επικίνδυνο μονοξειδίο του άνθρακα. Εάν νιώσετε ναυτία, ζαλάδα ή αδυναμία ενώ χρησιμοποιείτε αυτό το προϊόν, βγείτε ΑΜΕΣΩΣ έξω για να πάρετε καθαρό αέρα. Επισκεφθείτε γιατρό. Ενδέχεται να έχετε δηλητηριαστεί από μονοξειδίο του άνθρακα.

- Το αέριο μονοξειδίου του άνθρακα μπορεί να συσσωρευτεί σε κατειλημμένες περιοχές. Για να περιορίσετε τον κίνδυνο αερίου μονοξειδίου του άνθρακα, θέτετε σε λειτουργία αυτό το προϊόν ΜΟΝΟ σε εξωτερικό χώρο και μακριά από παράθυρα, πόρτες και αεραγωγούς.
- Τοποθετήστε ανιχνευτές μονοξειδίου του άνθρακα που λειτουργούν με μπαταρία ή εμβυσματούμενους ανιχνευτές μονοξειδίου του άνθρακα με εφεδρική μπαταρία, όπως καθορίζεται στις οδηγίες του κατασκευαστή. Οι ανιχνευτές καπνού δεν μπορούν να ανιχνεύσουν αέριο μονοξειδίου του άνθρακα.
- ΜΗ θέτετε σε λειτουργία αυτό το προϊόν μέσα σε σπίτια, γκαράζ, ψηλοτάβανα ή χαμηλοτάβανα υπόγεια, υπόστεγα ή άλλους κλειστούς χώρους, ακόμα και αν χρησιμοποιείτε ανεμιστήρες ή ανοίγετε τις πόρτες και τα παράθυρα για εξαερισμό. Μετά τη λειτουργία αυτού του προϊόντος, το μονοξειδίο του άνθρακα μπορεί γρήγορα να συσσωρευτεί σε αυτούς τους χώρους και να παραμείνει για ώρες.
- Τοποθετείτε ΠΑΝΤΑ το προϊόν αυτό στην υπήνεμη πλευρά και με την εξάτμιση του κινητήρα στραμμένη μακριά από χώρους όπου βρίσκονται άνθρωποι.



ΠΡΟΕΙΔΟΠΟΙΗΣΗ

Η γρήγορη επαναφορά του σχοινιού εκκίνησης (κλώτσημα) θα τραβήξει το χέρι και τον βραχίονά σας προς τον κινητήρα πριν προλάβετε να αφήσετε το σχοινί. Έτσι, ενδέχεται να υποστείτε κατάγματα, συντριπτικά κατάγματα, μώλωπες ή διαστρέμματα.

- Για να αποφύγετε το κλώτσημα κατά την εκκίνηση του κινητήρα, τραβήξτε το σχοινί εκκίνησης αργά έως ότου αισθανθείτε αντίσταση και έπειτα τραβήξτε γρήγορα.
- Πριν ξεκινήσετε τον κινητήρα, αποσυνδέστε ή αφαιρέστε όλα τα εξωτερικά φορτία του εξοπλισμού και του κινητήρα.
- Βεβαιωθείτε ότι τα εξαρτήματα άμεσης ζεύξης του εξοπλισμού, όπως, μεταξύ άλλων, λεπίδες, πτερωτές, τροχαλίες και αλισσοτροχοί, έχουν συνδεθεί σωστά.



ΠΡΟΕΙΔΟΠΟΙΗΣΗ

Τα περιστρεφόμενα εξαρτήματα μπορούν να μαγκώσουν χέρια, πόδια, μαλλιά, ρούχα ή αξεσουάρ και να οδηγήσουν σε ακρωτηριασμό ή πρόκληση πληγής.

- Λειτουργείτε τον εξοπλισμό με σωστά τοποθετημένα περιβλήματα προστασίας.
- Κρατάτε τα χέρια και τα πόδια σας μακριά από τα περιστρεφόμενα εξαρτήματα.
- Αφαιρέστε τα κοσμήματα και κρατήστε τα μακριά μαλλιά μακριά από όλα τα περιστρεφόμενα εξαρτήματα.
- Μη φοράτε χαλαρά ρούχα ή αντικείμενα που μπορούν να σκαλώσουν.



ΠΡΟΕΙΔΟΠΟΙΗΣΗ

Κατά τη λειτουργία, ο κινητήρας και ο σιγαστήρας ζεσταίνονται. Εάν αγγίξετε έναν ζεστό κινητήρα, μπορεί να προκληθούν θερμικά εγκαύματα.

Τα καύσιμα υλικά, όπως φύλλα, γρασιδί και θάμνοι, μπορούν να πάρουν φωτιά.

- Πριν αγγίξετε τον κινητήρα ή τον σιγαστήρα, σταματήστε τον κινητήρα και περιμένετε δύο (2) λεπτά. Βεβαιωθείτε ότι είναι ασφαλές να αγγίξετε τον κινητήρα και τον σιγαστήρα.
- Απομακρύνετε τα απόβλητα από τον σιγαστήρα και τον κινητήρα.

Η χρήση ή η λειτουργία του κινητήρα σε δασώδη, χλωώδη ή θαμνώδη άγρια περιοχή συνιστά παράβαση της Ενότητας 4442 του Κώδικα περί Φυσικών Πόρων της Καλιφόρνιας, εκτός εάν το σύστημα εξάτμισης διαθέτει πλέγμα προφύλαξης από σπινθήρες που διατηρείται σε καλή λειτουργική κατάσταση, όπως ορίζεται στην Ενότητα 4442. Η δικαιοδοσία άλλων πολιτειών ή άλλες ομοσπονδιακές δικαιοδοσίες ενδέχεται να έχουν παρόμοιους νόμους. Ανατρέξτε στον Ομοσπονδιακό Κανονισμό 36 CFR Μέρος 261.52. Για να προμηθευτείτε πλέγμα προστασίας από σπινθήρες το οποίο είναι σχεδιασμένο για το σύστημα εξάτμισης που υπάρχει εγκατεστημένο στον συγκεκριμένο κινητήρα, απευθυνθείτε στον αρχικό κατασκευαστή του εξοπλισμού.



ΠΡΟΕΙΔΟΠΟΙΗΣΗ

Ο τυχαίος σπινθήρας του κινητήρα μπορεί να προκαλέσει ηλεκτροπληξία, πυρκαγιά ή έκρηξη και μπορεί να οδηγήσει σε εμπλοκή, ακρωτηριασμό ή τραυματισμό.

Πριν κάνετε ρυθμίσεις ή επισκευές:

- Αποσυνδέστε όλα τα καλώδια των μπουζί και απομακρύνετε τα από τα μπουζί.
- Αποσυνδέστε το καλώδιο της μπαταρίας από τον αρνητικό ακροδέκτη της (μόνο κινητήρες με ηλεκτρική εκκίνηση).
- Χρησιμοποιείτε μόνο τα σωστά εργαλεία.

Όταν ελέγχετε για σπινθήρα:

- Χρησιμοποιήστε ένα εγκεκριμένο εργαλείο ελέγχου για μπουζί.
- Μην ελέγχετε για σπινθήρα ενώ έχετε αφαιρέσει το μπουζί.



ΠΡΟΕΙΔΟΠΟΙΗΣΗ

Οι αναθυμιάσεις καυσίμου είναι εύφλεκτες και εκρηκτικές. Πυρκαγιά ή έκρηξη μπορεί να οδηγήσει σε εγκαύματα ή θάνατο.

Εάν μυρίσετε αέριο

- Μην θέτετε σε λειτουργία τον κινητήρα.
- Μην ενεργοποιείτε ηλεκτρικούς διακόπτες.
- Μη χρησιμοποιείτε τηλέφωνο στη γύρω περιοχή.
- Εκκενώστε την περιοχή.
- Ειδοποιήστε τον πάροχο αερίου ή την πυροσβεστική υπηρεσία.

Χαρακτηριστικά και χειριστήρια

Χειριστήρια κινητήρα








Συγκρίνετε τα γράμματα επεξηγήσεων στις Εικόνες 1, 2, 3 και 4 με τα χειριστήρια κινητήρα στη λίστα που ακολουθεί:

- Αριθμοί αναγνώρισης κινητήρα Μοντέλο - Τύπος - Κωδικός
- Μπουζί
- Φίλτρο αέρα (χωρίς ρεζερβουάρ καυσίμου)
- Φίλτρο αέρα (με ρεζερβουάρ καυσίμου)
- Δείκτης στάθμης
- Οπή πλήρωσης λαδιού
- Φίλτρο λαδιού (εάν υπάρχει)
- Πώμα αποστράγγισης λαδιού
- Αισθητήρας πίεσης λαδιού
- Προστατευτικό δακτύλων

- K. Ηλεκτρικός εκκινήτης
- L. Χειροκίνητη εκκίνηση (εάν υπάρχει)
- M. Καρμπυρατέρ - Μοντέλα καρμπυρατέρ
- N. Σιγαστήρας
- O. Αντλία καυσίμου
- P. Διακόπτης εκκίνησης¹
- Q. Χειριστήριο γκαζιού¹
- R. Χειριστήριο ελέγχου του τσοκ¹
- S. Φίλτρο καυσίμου (εάν υπάρχει)
- T. Δεξαμενή Καυσίμου
- U. Επιλογέας διακοπής παροχής καυσίμου (εάν υπάρχει)¹
- V. Διακόπτης παύσης λειτουργίας (εάν υπάρχει)¹
- W. Ψύκτης λαδιού (εάν υπάρχει)
- X. Μονάδα αντλίας καυσίμου - Μοντέλα EFI
- Y. Ηλεκτρονική μονάδα ελέγχου - Μοντέλα EFI
- Z. Εγχυτήρας Καυσίμου - Μοντέλα EFI

¹ Ορισμένοι κινητήρες και εξοπλισμοί διαθέτουν τηλεχειρισμό. Για τη θέση και τη λειτουργία του τηλεχειρισμού ανατρέξτε στο εγχειρίδιο του εξοπλισμού.

Σύμβολα ελέγχου του κινητήρα και τι σημαίνουν

 Ταχύτητα κινητήρα - ΓΡΗΓΟΡΑ	 Ταχύτητα κινητήρα - ΑΡΓΑ
 Ταχύτητα κινητήρα - ΔΙΑΚΟΠΗ	 ΕΝΕΡΓΟΠΟΙΗΣΗ - ΑΠΕΝΕΡΓΟΠΟΙΗΣΗ
 Εκκίνηση κινητήρα Τσοκ ΚΛΕΙΣΤΟ	 Εκκίνηση κινητήρα Τσοκ ΑΝΟΙΧΤΟ
 Πώμα δεξαμενής καυσίμου Επιλογέας διακοπής παροχής καυσίμου ΑΝΟΙΧΤΟΣ	 Επιλογέας διακοπής παροχής καυσίμου ΚΛΕΙΣΤΟΣ

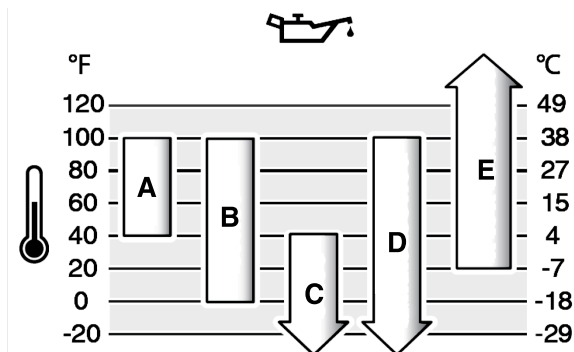
Λειτουργία

Συστάσεις για το λάδι

Χωρητικότητα λαδιού: Ανατρέξτε στην ενότητα **Προδιαγραφές**.

Σας συνιστούμε τη χρήση πιστοποιημένων λαδιών με την εγγύηση της Briggs & Stratton® για καλύτερη απόδοση. Άλλα απορρυπαντικά λάδια υψηλής ποιότητας επιτρέπονται εφόσον έχουν πιστοποιηθεί για χρήση SF, SG, SH, SJ ή υψηλότερη. Μην χρησιμοποιείτε ειδικά πρόσθετα.

Χρησιμοποιήστε τον πίνακα για να επιλέξετε το καλύτερο ξύδι για το αναμενόμενο εύρος εξωτερικών θερμοκρασιών. Οι κινητήρες στους περισσότερους εξοπλισμούς παραγωγής ισχύος εξωτερικών χώρων λειτουργούν καλά με συνθετικό λάδι 5W-30. Για εξοπλισμό που χρησιμοποιείται σε υψηλές θερμοκρασίες, το συνθετικό λάδι Vanguard® 15W-50 παρέχει την καλύτερη προστασία.



A	SAE 30 - Σε θερμοκρασίες κάτω των 40 °F (4 °C), η χρήση SAE 30 θα έχει ως αποτέλεσμα τη δύσκολη εκκίνηση του κινητήρα.
B	10W-30 - Σε θερμοκρασίες άνω των 80 °F (27 °C), η χρήση 10W-30 θα έχει ως αποτέλεσμα την αυξημένη κατανάλωση λαδιού. Ελέγχετε συχνά τη στάθμη του λαδιού.
C	5W-30
D	Συνθετικό λάδι 5W-30
E	Συνθετικό λάδι Vanguard® 15W-50

Ελέγξτε τη στάθμη του λαδιού

Πριν ελέγξετε ή προσθέσετε λάδι

- Βεβαιωθείτε ότι ο κινητήρας βρίσκεται σε οριζόντια θέση.
- Καθαρίστε τα απόβλητα στην περιοχή γύρω από το πώμα πλήρωσης λαδιού.
- Ανατρέξτε στην ενότητα **Προδιαγραφές** για τη χωρητικότητα λαδιού.

ΕΠΙΣΗΜΑΝΣΗ

Ο κινητήρας αυτός αποστέλλεται από την Briggs & Stratton χωρίς λάδι. Οι κατασκευαστές του εξοπλισμού ή οι αντιπρόσωποι μπορεί να έχουν προσθέσει λάδι στον κινητήρα. Πριν ξεκινήσετε τον κινητήρα για πρώτη φορά, βεβαιωθείτε ότι το λάδι βρίσκεται στη σωστή στάθμη. Προσθέστε λάδι όπως καθορίζεται στις οδηγίες αυτού του εγχειριδίου. Εάν ξεκινήσετε τον κινητήρα χωρίς λάδι, θα προκληθεί ζημία και η επισκευή του κινητήρα δεν θα καλυφθεί από την εγγύηση.

1. Αφαιρέστε τον δείκτη στάθμης λαδιού (A, Εικόνα 5) και σκουπίστε τον με καθαρό πανί.
2. Τοποθετήστε και σφίξτε τον δείκτη στάθμης λαδιού (A, Εικόνα 5).
3. Αφαιρέστε τον δείκτη στάθμης και ελέγξτε τη στάθμη του λαδιού. Βεβαιωθείτε ότι η στάθμη λαδιού βρίσκεται στο επάνω μέρος της ένδειξης πλήρους στάθμης (B, Εικόνα 5) στον δείκτη στάθμης.
4. Αν η στάθμη του λαδιού είναι χαμηλή, προσθέστε αργά λάδι από την οπή πλήρωσης λαδιού του κινητήρα (C, Εικόνα 5). Μην προσθέτετε υπερβολική ποσότητα λαδιού.
5. Περιμένετε ένα λεπτό και έπειτα ελέγξτε ξανά τη στάθμη του λαδιού. Βεβαιωθείτε ότι η στάθμη λαδιού είναι σωστή.
6. Τοποθετήστε και σφίξτε τον δείκτη στάθμης λαδιού (A, Εικόνα 5).

Σύστημα προστασίας από χαμηλή στάθμη λαδιού (εάν υπάρχει)

Σε ορισμένους κινητήρες, υπάρχει ένας αισθητήρας χαμηλής στάθμης λαδιού. Εάν η στάθμη του λαδιού είναι χαμηλή, ο αισθητήρας θα εμφανίσει μια προειδοποιητική λυχνία ή θα διακοπεί η λειτουργία του κινητήρα. Διακόψτε τη λειτουργία του κινητήρα και διεξάγετε αυτά τα βήματα πριν την εκκίνηση του κινητήρα.

- Βεβαιωθείτε ότι ο κινητήρας βρίσκεται σε οριζόντια θέση.
- Κάντε έναν έλεγχο λαδιού. Ανατρέξτε στην ενότητα **Έλεγχος λαδιού**.
- Εάν η στάθμη του λαδιού είναι χαμηλή, προσθέστε τη σωστή ποσότητα λαδιού. Ξεκινήστε τον κινητήρα και βεβαιωθείτε ότι η προειδοποιητική λυχνία (εάν υπάρχει) δεν ανάβει.
- Εάν η στάθμη του λαδιού δεν είναι χαμηλή, μην ξεκινάτε τον κινητήρα. Απευθυνθείτε σε Εξουσιοδοτημένο αντιπρόσωπο σέρβις της Briggs & Stratton για να διορθώσει το πρόβλημα με το λάδι.

Συστάσεις για το καύσιμο

Το καύσιμο πρέπει να πληροί τις εξής απαιτήσεις:

- Να είναι καθαρή, φρέσκια, αμόλυβδη βενζίνη.
- Να έχει τουλάχιστον 87 οκτάνια/87 AKI (91 RON). Χρήση σε μεγάλο υψόμετρο, δείτε παρακάτω.
- Επιτρέπεται η βενζίνη με έως και 10% περιεκτικότητα σε αιθυλική αλκοόλη (βενζόλη).

ΕΠΙΣΗΜΑΝΣΗ

Μην χρησιμοποιείτε μη εγκεκριμένη βενζίνη, όπως E15 και E85. Μην αναμειγνύετε λάδι στη βενζίνη ούτε να τροποποιείτε τον κινητήρα για να μπορεί να λειτουργήσει με εναλλακτικά καύσιμα. Η χρήση μη εγκεκριμένων καυσίμων μπορεί να προκαλέσει ζημιά στα εξαρτήματα του κινητήρα, η επισκευή των οποίων δεν θα καλυφθεί από την εγγύηση.

Για να προστατεύσετε το σύστημα καυσίμου από τον σχηματισμό ρητινών και τη διάβρωση, εμπλουτίστε το καύσιμο με μείγμα σταθεροποιητή καυσίμου χωρίς αλκοόλη και αιθυλικής αλκοόλης. Ανατρέξτε στην ενότητα **Αποθήκευση**. Δεν είναι ίδια όλα τα καύσιμα. Εάν παρουσιαστούν προβλήματα στην εκκίνηση ή τις επιδόσεις του κινητήρα, αλλάξτε προμηθευτή ή μάρκα καυσίμου. Αυτός ο κινητήρας είναι πιστοποιημένος να λειτουργεί με βενζίνη. Το σύστημα ελέγχου εκπομπών για κινητήρες με καρμπυρατέρ είναι το EM (Τροποποιήσεις κινητήρα). Τα συστήματα ελέγχου εκπομπών για κινητήρες με ηλεκτρονική έγχυση καυσίμου είναι το ECM (Μονάδα ελέγχου καυσίμου), το MPI (Ψεκάσμος πολλαπλών σημείων), το TBI (Σώμα πεταλούδας ψεκάσμου καυσίμου) και, αν υπάρχει, O2S (Αισθητήρας οξυγόνου).

Μεγάλο υψόμετρο

Σε υψόμετρα πάνω από τα 5000 πόδια (1524 μέτρα), επιτρέπεται η βενζίνη τουλάχιστον 85 οκτανίων/85 AKI (89 RON).

Για να διατηρηθούν οι υψηλές επιδόσεις κινητήρων με καρμπυρατέρ, απαιτείται ρύθμιση για μεγάλο υψόμετρο. Λειτουργία χωρίς τη συγκεκριμένη προσαρμογή θα μειώσει την απόδοση, θα αυξήσει την κατανάλωση του καυσίμου και την αύξηση των εκπομπών. Αν χρειαστείτε πληροφορίες σχετικά με τη ρύθμιση για μεγάλο υψόμετρο, απευθυνθείτε σε εξουσιοδοτημένο αντιπρόσωπο της Briggs & Stratton. Δεν ενδείκνυται η λειτουργία του κινητήρα σε υψόμετρα μικρότερα από 2.500 πόδια (762 μέτρα) με το kit για μεγάλα υψόμετρα.

Σε κινητήρες με σύστημα ηλεκτρονικής έγχυσης καυσίμου (EFI) δεν απαιτείται ρύθμιση για λειτουργία σε μεγάλο υψόμετρο.

Προσθέστε καύσιμο



ΠΡΟΕΙΔΟΠΟΙΗΣΗ

Το καύσιμο και οι αναθυμιάσεις είναι εύφλεκτες και εκρηκτικές. Πυρκαγιά ή έκρηξη μπορεί να οδηγήσει σε εγκαύματα ή θάνατο.

Κατά την προσθήκη καυσίμου

- Διακόψτε τη λειτουργία του κινητήρα. Πριν αφαιρέσετε την τάπα του ρεζερβουάρ καυσίμου, περιμένετε τουλάχιστον δύο (2) λεπτά για να βεβαιωθείτε ότι ο κινητήρας έχει κρυώσει.
 - Γεμίστε το ρεζερβουάρ καυσίμου σε εξωτερικό χώρο ή σε περιοχή με καλή ροή του αέρα.
 - Μη βάζετε υπερβολική ποσότητα καυσίμου στο ρεζερβουάρ. Για τη διαστολή του καυσίμου, μη γεμίζετε το ρεζερβουάρ καυσίμου πάνω από το κάτω μέρος του στομιού του.
 - Το καύσιμο πρέπει να μένει μακριά από σπινθήρες, ανοιχτές φλόγες, φώτα εναύσματος, πηγές θερμότητας και άλλες πηγές ανάφλεξης.
 - Ελέγχετε συχνά τις σωληνώσεις καυσίμου, το ρεζερβουάρ καυσίμου, την τάπα του ρεζερβουάρ και τις συνδέσεις για ρωγμές ή διαρροές. Αντικαθιστάτε τα κατεστραμμένα εξαρτήματα.
 - Εάν χυθεί καύσιμο, περιμένετε να στεγνώσει πριν θέσετε σε λειτουργία τον κινητήρα.
1. Καθαρίστε την τάπα του καυσίμου ώστε να μην υπάρχουν ακαθαρσίες και κατάλοιπα. Αφαιρέστε το πώμα του νεπόζιτου καυσίμου.
 2. Γεμίστε το ρεζερβουάρ καυσίμου (Α, Εικόνα 6) με καύσιμο. Επειδή θα διασταλεί το καύσιμο, μη γεμίζετε το ρεζερβουάρ καυσίμου πάνω από το κάτω μέρος του στομιού του (Β).
 3. Επανατοποθετήστε την τάπα του καυσίμου.

Εκκίνηση του Κινητήρα



ΠΡΟΕΙΔΟΠΟΙΗΣΗ

Ο τυχαίος σπινθήρας του κινητήρα μπορεί να προκαλέσει ηλεκτροπληξία, πυρκαγιά ή έκρηξη και μπορεί να οδηγήσει σε εμπλοκή, ακρωτηριασμό ή τραυματισμό.

Πριν κάνετε ρυθμίσεις ή επισκευές:

- Αποσυνδέστε όλα τα καλώδια των μπουζί και απομακρύνετε τα από τα μπουζί.
- Αποσυνδέστε το καλώδιο της μπαταρίας από τον αρνητικό ακροδέκτη της (μόνο κινητήρες με ηλεκτρική εκκίνηση).
- Χρησιμοποιείτε μόνο τα σωστά εργαλεία.

Όταν ελέγχετε για σπινθήρα:

- Χρησιμοποιήστε ένα εγκεκριμένο εργαλείο ελέγχου για μπουζί.
- Μην ελέγχετε για σπινθήρα ενώ έχετε αφαιρέσει το μπουζί.



ΠΡΟΕΙΔΟΠΟΙΗΣΗ

Η γρήγορη επαναφορά του σχοινιού εκκίνησης (κλώτσημα) θα τραβήξει το χέρι και τον βραχίονά σας προς τον κινητήρα πριν προλάβετε να αφήσετε το σχοινί. Έτσι, ενδέχεται να υποστείτε κατάγματα, συντριπτικά κατάγματα, μώλωπες ή διαστρέμματα.

- Για να αποφύγετε το κλώτσημα κατά την εκκίνηση του κινητήρα, τραβήξτε το σχοινί εκκίνησης αργά έως ότου αισθανθείτε αντίσταση και έπειτα τραβήξτε γρήγορα.
- Πριν ξεκινήσετε τον κινητήρα, αποσυνδέστε ή αφαιρέστε όλα τα εξωτερικά φορτία του εξοπλισμού και του κινητήρα.
- Βεβαιωθείτε ότι τα εξαρτήματα άμεσης ζεύξης του εξοπλισμού, όπως, μεταξύ άλλων, λεπίδες, πτερωτές, τροχαλίες και αλυσοτροχοί, έχουν συνδεθεί σωστά.



ΠΡΟΕΙΔΟΠΟΙΗΣΗ

ΚΙΝΔΥΝΟΣ ΔΗΛΗΤΗΡΙΩΔΟΥΣ ΑΕΡΙΟΥ. Τα αέρια που εκπέμπει ο κινητήρας περιέχουν μονοξείδιο του άνθρακα, ένα δηλητηριώδες αέριο το οποίο μπορεί να επιφέρει τον θάνατο μέσα σε λίγα λεπτά. Παρόλο που δεν μυρίζει τα καυσαέρια, πάντα υπάρχει η πιθανότητα να εκτεθείτε σε επικίνδυνο μονοξείδιο του άνθρακα. Εάν νιώσετε ναυτία, ζαλάδα ή αδυναμία ενώ χρησιμοποιείτε αυτό το προϊόν, βγείτε ΑΜΕΣΩΣ έξω για να πάρετε καθαρό αέρα. Επισκεφθείτε γιατρό. Ενδέχεται να έχετε δηλητηριαστεί από μονοξείδιο του άνθρακα.

- Το αέριο μονοξείδιο του άνθρακα μπορεί να συσσωρευτεί σε κατειλημμένες περιοχές. Για να περιορίσετε τον κίνδυνο αερίου μονοξειδίου του άνθρακα, θέστε σε λειτουργία αυτό το προϊόν ΜΟΝΟ σε εξωτερικό χώρο και μακριά από παράθυρα, πόρτες και αεραγωγούς.
- Τοποθετήστε ανιχνευτές μονοξειδίου του άνθρακα που λειτουργούν με μπαταρία ή εμβυσματούμενους ανιχνευτές μονοξειδίου του άνθρακα με εφεδρική μπαταρία, όπως καθορίζεται στις οδηγίες του κατασκευαστή. Οι ανιχνευτές καπνού δεν μπορούν να ανιχνεύσουν αέριο μονοξειδίου του άνθρακα.
- ΜΗ θέσετε σε λειτουργία αυτό το προϊόν μέσα σε στίπια, γκαράζ, ψηλοτάβανα ή χαμηλοτάβανα υπόγεια, υπόστεγα ή άλλους κλειστούς χώρους, ακόμα και αν χρησιμοποιείτε ανεμιστήρες ή ανοίγετε τις πόρτες και τα παράθυρα για εξαερισμό. Μετά τη λειτουργία αυτού του προϊόντος, το μονοξείδιο του άνθρακα μπορεί γρήγορα να συσσωρευτεί σε αυτούς τους χώρους και να παραμείνει για ώρες.
- Τοποθετείτε ΠΑΝΤΑ το προϊόν αυτό στην υπήνεμη πλευρά και με την εξάτμιση του κινητήρα στραμμένη μακριά από χώρους όπου βρίσκονται άνθρωποι.

ΕΠΙΣΗΜΑΝΣΗ

Ο κινητήρας αυτός αποστέλλεται από την Briggs & Stratton χωρίς λάδι. Οι κατασκευαστές του εξοπλισμού ή οι αντιπρόσωποι μπορεί να έχουν προσθέσει λάδι στον κινητήρα. Πριν ξεκινήσετε τον κινητήρα για πρώτη φορά, βεβαιωθείτε ότι το λάδι βρίσκεται στη σωστή στάθμη. Προσθέστε λάδι όπως καθορίζεται στις οδηγίες αυτού του εγχειριδίου. Εάν ξεκινήσετε τον κινητήρα χωρίς λάδι, θα προκληθεί ζημιά και η επισκευή του κινητήρα δεν θα καλυφθεί από την εγγύηση.

ΣΗΜΕΙΩΣΗ: Ο εξοπλισμός σας μπορεί να έχει τηλεχειριστήρια. Ανατρέξτε στο εγχειρίδιο του εξοπλισμού για τη θέση και τη λειτουργία του τηλεχειριστηρίου.

Τύποι συστημάτων εκκίνησης

Πριν την εκκίνηση του κινητήρα, πρέπει να γνωρίζετε τον τύπο του συστήματος εκκίνησης στον κινητήρα σας. Ο κινητήρας σας διαθέτει έναν από αυτούς τους τύπους συστημάτων.

- **Ηλεκτρονικό σύστημα έγχυσης καυσίμου (EFI):** Ενα σύστημα EFI δεν διαθέτει τσοκ ούτε μεμβράνη προπλήρωσης καυσίμου (πουάρ).
- **Σύστημα ηλεκτρονικής διαχείρισης καυσίμου:** Το σύστημα ηλεκτρονικής διαχείρισης καυσίμου διαθέτει μια ηλεκτρονική μονάδα ελέγχου που παρακολουθεί τον κινητήρα και τις θερμοκρασιακές συνθήκες. Δεν διαθέτει χειροκίνητο τσοκ (μοχλό αέρος) ούτε μεμβράνη.
- **Σύστημα τσοκ:** Αυτό το είδος συστήματος διαθέτει ένα τσοκ που χρησιμοποιείται σε χαμηλές θερμοκρασίες. Ορισμένα μοντέλα διαθέτουν ξεχωριστό χειριστήριο τσοκ, ενώ άλλα διαθέτουν έναν συνδυασμό χειριστηρίου τσοκ/γκραζιού. Αυτό ο τύπος δεν διαθέτει πουάρ.

Ηλεκτρονικό σύστημα έγχυσης καυσίμου (EFI)

1. Ελέγξτε το λιπαντικό του κινητήρα. Ανατρέξτε στην ενότητα **Έλεγχος της Στάθμης Λαδιού**.
2. Βεβαιωθείτε ότι όλα τα χειριστήρια μετάδοσης κίνησης του εξοπλισμού, εάν υπάρχουν, είναι αποσυμπλεγμένα.
3. Μετακινήστε τον επιλογέα διακοπής της παροχής καυσίμου (Α, Εικόνα 7), εφόσον υπάρχει, στη θέση ΑΝΟΙΧΤΟΣ.
4. Στρέψτε τον διακόπτη λειτουργίας (F, Εικόνες 7, 8), εάν υπάρχει, στη θέση ΕΝΕΡΓΟΠΟΙΗΣΗ.
5. Μετακινήστε το χειριστήριο γκαζιού (Β, Εικόνα 8), εφόσον υπάρχει, στη θέση ΓΡΗΓΟΡΑ. Λειτουργήστε τον κινητήρα στη θέση ΓΡΗΓΟΡΑ.
6. **Χειροκίνητη εκκίνηση, εάν υπάρχει, με κλειδοδιακόπτη:** Στρέψτε τον κλειδοδιακόπτη (D, Εικόνες 7, 8) στη θέση ΕΝΕΡΓΟΠΟΙΗΣΗ.
7. **Διακόπτης επανεκκίνησης, εάν υπάρχει:** Κρατήστε γερά τη χειρολαβή της μίζας (E, Εικόνες 7, 8). Τραβήξτε τη χειρολαβή του σχοινιού εκκίνησης μέχρι να συναντήσετε αντίσταση και έπειτα τραβήξτε απότομα.



ΠΡΟΕΙΔΟΠΟΙΗΣΗ

Η γρήγορη επαναφορά του σχοινιού εκκίνησης (κλώτσημα) θα τραβήξει το χέρι και τον βραχίονά σας προς τον κινητήρα πριν προλάβετε να αφήσετε το σχοινί. Ενδέχεται να υποστείτε κατάγματα, συντριπτικά κατάγματα, μώλωπες ή διαστρέμματα. Για να αποφύγετε το κλώτσημα κατά την εκκίνηση του κινητήρα, τραβήξτε το σχοινί εκκίνησης αργά έως ότου αισθανθείτε αντίσταση και έπειτα τραβήξτε γρήγορα.

8. **Διακόπτης ηλεκτρικής εκκίνησης, εφόσον υπάρχει:** Στρέψτε τον διακόπτη ηλεκτρικής εκκίνησης (D, Εικόνες 7, 8) στη θέση ΕΝΕΡΓΟΠΟΙΗΣΗ ή ΕΝΑΡΞΗ.

ΕΠΙΣΗΜΑΝΣΗ Για να παρατείνετε τη διάρκεια ζωής της μίζας, χρησιμοποιείτε μικρούς σε διάρκεια κύκλους εκκίνησης (όχι πάνω από πέντε δευτερόλεπτα). Περιμένετε ένα λεπτό μεταξύ των κύκλων εκκίνησης.

Εάν ο κινητήρας δεν ξεκινάει μετά από 3 ή 4 φορές, επικοινωνήστε με τον τοπικό αντιπρόσωπο ή μεταβείτε στη διεύθυνση vanguardpower.com ή καλέστε στο 1-800-999-9333.

Σύστημα ηλεκτρονικής διαχείρισης καυσίμου

1. Ελέγξτε το λιπαντικό του κινητήρα. Ανατρέξτε στην ενότητα **Έλεγχος της Στάθμης Λαδιού**.
2. Βεβαιωθείτε ότι όλα τα χειριστήρια μετάδοσης κίνησης του εξοπλισμού, εάν υπάρχουν, είναι αποσυμπλεγμένα.
3. Μετακινήστε τον επιλογέα διακοπής της παροχής καυσίμου (Α, Εικόνα 7), εφόσον υπάρχει, στη θέση ΑΝΟΙΧΤΟΣ.
4. Στρέψτε τον διακόπτη λειτουργίας (F, Εικόνες 7, 8), εάν υπάρχει, στη θέση ΕΝΕΡΓΟΠΟΙΗΣΗ.
5. Μετακινήστε το χειριστήριο γκαζιού (B, Εικόνα 8), εφόσον υπάρχει, στη θέση ΓΡΗΓΟΡΑ. Λειτουργήστε τον κινητήρα στη θέση ΓΡΗΓΟΡΑ.
6. **Χειροκίνητη εκκίνηση, εάν υπάρχει, με κλειδοδιακόπτη:** Στρέψτε τον κλειδοδιακόπτη (D, Εικόνες 7, 8) στη θέση ΕΝΕΡΓΟΠΟΙΗΣΗ.
7. **Διακόπτης επανεκκίνησης, εάν υπάρχει:** Κρατήστε γερά τη χειρολαβή της μίζας (E, Εικόνες 7, 8). Τραβήξτε τη χειρολαβή του σχοινού εκκίνησης μέχρι να συναντήσετε αντίσταση και έπειτα τραβήξτε απότομα.



ΠΡΟΕΙΔΟΠΟΙΗΣΗ

Η γρήγορη επαναφορά του σχοινού εκκίνησης (κλώτσημα) θα τραβήξει το χέρι και τον βραχιονά σας προς τον κινητήρα πριν προλάβετε να αφήσετε το σχοινί. Ενδέχεται να υποστείτε κατάγματα, συντριπτικά κατάγματα, μώλωπες ή διαστρέμματα. Για να αποφύγετε το κλώτσημα κατά την εκκίνηση του κινητήρα, τραβήξτε το σχοινί εκκίνησης αργά έως ότου αισθανθείτε αντίσταση και έπειτα τραβήξτε γρήγορα.

8. **Διακόπτης ηλεκτρικής εκκίνησης, εφόσον υπάρχει:** Στρέψτε τον διακόπτη ηλεκτρικής εκκίνησης (D, Εικόνες 7, 8) στη θέση ΕΝΕΡΓΟΠΟΙΗΣΗ ή ΕΝΑΡΞΗ.

ΕΠΙΣΗΜΑΝΣΗ Για να παρατείνετε τη διάρκεια ζωής της μίζας, χρησιμοποιείτε μικρούς σε διάρκεια κύκλους εκκίνησης (όχι πάνω από πέντε δευτερόλεπτα). Περιμένετε ένα λεπτό μεταξύ των κύκλων εκκίνησης.

Εάν ο κινητήρας δεν ξεκινάει μετά από 3 ή 4 φορές, επικοινωνήστε με τον τοπικό αντιπρόσωπο ή μεταβείτε στη διεύθυνση vanguardpower.com ή καλέστε στο 1-800-999-9333.

Σύστημα τσοκ

1. Ελέγξτε το λιπαντικό του κινητήρα. Ανατρέξτε στην ενότητα **Έλεγχος της στάθμης και προσθήκη λαδιού**.
2. Βεβαιωθείτε ότι όλα τα χειριστήρια μετάδοσης κίνησης του εξοπλισμού, εάν υπάρχουν, είναι αποσυμπλεγμένα.
3. Μετακινήστε τον επιλογέα διακοπής της παροχής καυσίμου (Α, Εικόνα 7), εφόσον υπάρχει, στη θέση ΑΝΟΙΧΤΟΣ.
4. Στρέψτε τον διακόπτη λειτουργίας (F, Εικόνες 7, 8), εάν υπάρχει, στη θέση ΕΝΕΡΓΟΠΟΙΗΣΗ.
5. Μετακινήστε το χειριστήριο γκαζιού (B, Εικόνα 7), εάν υπάρχει, στη θέση ΓΡΗΓΟΡΑ. Λειτουργήστε τον κινητήρα στη θέση ΓΡΗΓΟΡΑ.
6. Μετακινήστε το χειριστήριο ελέγχου του τσοκ (C, Εικόνες 9, 10), στη θέση ΚΛΕΙΣΤΟ.

ΣΗΜΕΙΩΣΗ: Το τσοκ συνήθως δεν χρειάζεται όταν ξεκινάει κινητήρα που έχει ζεσταθεί.

7. **Χειροκίνητη εκκίνηση, εάν υπάρχει, με κλειδοδιακόπτη:** Στρέψτε τον κλειδοδιακόπτη (D, Εικόνες 7, 8) στη θέση ΕΝΕΡΓΟΠΟΙΗΣΗ.
8. **Διακόπτης επανεκκίνησης, εάν υπάρχει:** Κρατήστε γερά τη χειρολαβή της μίζας (E, Εικόνες 7, 8). Τραβήξτε αργά τη χειρολαβή του σχοινού εκκίνησης (E) μέχρι να συναντήσετε αντίσταση και έπειτα τραβήξτε απότομα.



ΠΡΟΕΙΔΟΠΟΙΗΣΗ

Η γρήγορη επαναφορά του σχοινού εκκίνησης (κλώτσημα) θα τραβήξει το χέρι και τον βραχιονά σας προς τον κινητήρα πριν προλάβετε να αφήσετε το σχοινί. Ενδέχεται να υποστείτε κατάγματα, συντριπτικά κατάγματα, μώλωπες ή διαστρέμματα. Για να αποφύγετε το κλώτσημα κατά την εκκίνηση του κινητήρα, τραβήξτε το σχοινί εκκίνησης αργά έως ότου αισθανθείτε αντίσταση και έπειτα τραβήξτε γρήγορα.

9. **Ηλεκτρική εκκίνηση, εάν υπάρχει:** Γυρίστε το κλειδοδιακόπτη (D, Εικόνες 7, 8) στη θέση ΕΝΕΡΓΟΠΟΙΗΣΗ ή ΕΝΑΡΞΗ.

ΕΠΙΣΗΜΑΝΣΗ

Για να παρατείνετε τη διάρκεια ζωής της μίζας, χρησιμοποιείτε μικρούς σε διάρκεια κύκλους εκκίνησης (όχι πάνω από πέντε δευτερόλεπτα). Περιμένετε ένα λεπτό μεταξύ των κύκλων εκκίνησης.

10. Καθώς ο κινητήρας θερμαίνεται, μετακινήστε το χειριστήριο ελέγχου του τσοκ (C, Εικόνες 9, 10) στη θέση ΑΝΟΙΧΤΟ.

ΣΗΜΕΙΩΣΗ: Εάν ο κινητήρας δεν ξεκινάει μετά από 2-3 προσπάθειες, επικοινωνήστε με τον τοπικό αντιπρόσωπο ή μεταβείτε στο vanguardpower.com ή καλέστε στο 1-800-999-9333.

Διακοπή λειτουργίας του κινητήρα



ΠΡΟΕΙΔΟΠΟΙΗΣΗ

Το καύσιμο και οι αναθυμιάσεις είναι εύφλεκτες και εκρηκτικές. Πυρκαγιά ή έκρηξη μπορεί να οδηγήσει σε εγκαύματα ή θάνατο.

- Μην ξεκινάτε εν ψυχρώ το καρμπρατέρ (εφόσον υπάρχει) για να σταματήσετε τον κινητήρα.
1. **Διακόπτης παύσης λειτουργίας, εάν υπάρχει:** Στρέψτε τον διακόπτη λειτουργίας (F, Εικόνα 11) στη θέση ΑΠΕΝΕΡΓΟΠΟΙΗΣΗ.
 2. **Διακόπτης με κλειδί, εάν υπάρχει:** Με τον μοχλό γκαζιού, εάν υπάρχει, στη θέση ΑΡΓΑ, στρέψτε τον κλειδοδιακόπτη (D, Εικόνα 11) στη θέση ΑΠΕΝΕΡΓΟΠΟΙΗΣΗ. Αφαιρέστε το κλειδί και φυλάξτε το σε ασφαλές μέρος μακριά από τα παιδιά.
 3. Μετά τη διακοπή λειτουργίας του κινητήρα, μετακινήστε τον επιλογέα διακοπής της παροχής καυσίμου (Α, Εικόνα 11), εφόσον υπάρχει, στη θέση ΚΛΕΙΣΤΟΣ.

Συντήρηση Πληροφορίες για τη συντήρηση



ΠΡΟΕΙΔΟΠΟΙΗΣΗ

Το καύσιμο και οι αναθυμιάσεις είναι εύφλεκτες και εκρηκτικές. Πυρκαγιά ή έκρηξη μπορεί να οδηγήσει σε εγκαύματα ή θάνατο.

Κατά τη συντήρηση, εάν είναι απαραίτητο να γείρετε τη μονάδα, βεβαιωθείτε ότι το ρεζερβουάρ καυσίμου, αν είναι τοποθετημένο στον κινητήρα, είναι άδειο και ότι η πλευρά με το μπουζί βρίσκεται προς τα πάνω. Εάν το ρεζερβουάρ καυσίμου δεν είναι άδειο, μπορεί να προκληθεί διαρροή που να οδηγήσει σε πυρκαγιά ή έκρηξη. Εάν ο κινητήρας έχει κλίση προς διαφορετική κατεύθυνση, δεν θα ξεκινάει εύκολα λόγω ρύπανσης του φίλτρου αέρα ή του μπουζί με λάδι ή καύσιμο.



ΠΡΟΕΙΔΟΠΟΙΗΣΗ

Ο τυχαίος σπινθήρας του κινητήρα μπορεί να προκαλέσει ηλεκτροπληξία, πυρκαγιά ή έκρηξη και μπορεί να οδηγήσει σε εμπλοκή, ακρωτηριασμό ή τραυματισμό.

Πριν κάνετε ρυθμίσεις ή επισκευές:

- Αποσυνδέστε όλα τα καλώδια των μπουζί και απομακρύνετε τα από τα μπουζί.
- Αποσυνδέστε το καλώδιο της μπαταρίας από τον αρνητικό ακροδέκτη της (μόνο κινητήρες με ηλεκτρική εκκίνηση).
- Χρησιμοποιείτε μόνο τα σωστά εργαλεία.

Όταν ελέγχετε για σπινθήρα:

- Χρησιμοποιήστε ένα εγκεκριμένο εργαλείο ελέγχου για μπουζί.
- Μην ελέγχετε για σπινθήρα ενώ έχετε αφαιρέσει το μπουζί.



ΠΡΟΕΙΔΟΠΟΙΗΣΗ

Τα ανταλλακτικά πρέπει να είναι ίδια με τα γνήσια εξαρτήματα και να τοποθετούνται στην ίδια θέση με τα αρχικά εξαρτήματα. Άλλα εξαρτήματα ενδέχεται να προκαλέσουν ζημιά ή τραυματισμό.

ΕΠΙΣΗΜΑΝΣΗ

Όλα τα εξαρτήματα που χρησιμοποιούνται για την κατασκευή αυτού του κινητήρα πρέπει να παραμείνουν στη θέση τους για να εξασφαλιστεί η σωστή λειτουργία.

Απευθυνθείτε σε Εξουσιοδοτημένο αντιπρόσωπο σέρβις της Briggs & Stratton για κάθε εργασία συντήρησης και σέρβις του κινητήρα και των εξαρτημάτων του.

Σέρβις συστήματος ελέγχου εκπομπών

Για τη συντήρηση, αντικατάσταση ή επισκευή των διατάξεων και συστημάτων ελέγχου εκπομπών, απευθυνθείτε σε εξειδικευμένο συνεργείο για επισκευές κινητήρων εκτός δρόμου ή σε τεχνικό σέρβις. Ωστόσο, τις εργασίες συντήρησης του συστήματος ελέγχου εκπομπών «χωρίς επιβάρυνση» πρέπει να αναλαμβάνει

εξουσιοδοτημένος αντιπρόσωπος του κατασκευαστή. Ανατρέξτε στις Δηλώσεις για το Σύστημα Ελέγχου Εκπομπών.

Πρόγραμμα Συντήρησης

Διαλείμματα 8 ωρών ή ημερησίως
<ul style="list-style-type: none">Ελέγξτε τη στάθμη λαδιού του κινητήρα.Καθαρίστε την περιοχή γύρω από τον σιγαστήρα εξάτμισης και τα χειριστήρια.
Διαστήματα 100 ωρών ή ετησίως
<ul style="list-style-type: none">Αντικαταστήστε τα μπουζί.Αλλαγή λαδιού κινητήρα.Αντικαταστήστε το φίλτρο λαδιού (εάν υπάρχει).Εκτελέστε τις εργασίες συντήρησης στο φίλτρο αέρα ¹.Καθαρίστε το προφίλτρο (εάν υπάρχει) ¹.Κάντε έλεγχο του συστήματος εξάτμισης.
Διαλείμματα 250 ωρών ή ετησίως
<ul style="list-style-type: none">Ελέγξτε το διάκενο βαλβίδων. Εάν χρειάζεται, κάντε τις ανάλογες ρυθμίσεις.
Διαστήματα 400 ωρών ή ετησίως
<ul style="list-style-type: none">Αντικαταστήστε το φίλτρο αέρα.Αντικαταστήστε το φίλτρο καυσίμου.Έλεγχος συστήματος ψύξης ¹.Καθαρίστε τα περυσία του ψύκτη λαδιού ¹.

¹ Καθαρίζετε συχνότερα όταν υπάρχει σκόνη ή όταν βρίσκονται πολλά σωματίδια στον αέρα.

Ηλεκτρονικό σύστημα έγχυσης καυσίμου (EFI)

Το σύστημα EFI παρακολουθεί τη θερμοκρασία και την ταχύτητα του κινητήρα, αλλά και την τάση της μπαταρίας για την εκκίνηση της λειτουργίας και τη θέρμανση του κινητήρα. Δεν υπάρχει δυνατότητα ρύθμισης του συστήματος. Εάν διαπιστωθεί κάποιο πρόβλημα με την εκκίνηση της λειτουργίας ή με τη λειτουργία του κινητήρα, επικοινωνήστε με εξουσιοδοτημένο αντιπρόσωπο σέρβις της Briggs & Stratton.

ΕΠΙΣΗΜΑΝΣΗ Βεβαιωθείτε ότι τηρείτε τα παρακάτω βήματα. Διαφορετικά, το σύστημα EFI μπορεί να υποστεί βλάβη.

- ΜΗΝ θέτετε σε λειτουργία τον κινητήρα εάν τα καλώδια της μπαταρίας δεν είναι καλά συνδεδεμένα.
- Προτού αποσυνδέσετε, αφαιρέσετε ή / και εγκαταστήσετε τη μπαταρία, φέρτε το κλειδί στη θέση ΑΠΕΝΕΡΓΟΠΟΙΗΣΗ.
- ΜΗΝ χρησιμοποιείτε φορτιστή μπαταρίας για να θέσετε σε λειτουργία τον κινητήρα.
- ΜΗΝ αποσυνδέσετε τα καλώδια της μπαταρίας κατά τη διάρκεια λειτουργίας του κινητήρα.
- Όταν συνδέετε τα καλώδια της μπαταρίας, συνδέστε πρώτα το θετικό (+) και μετά το αρνητικό (-) καλώδιο στη μπαταρία.
- Κατά τη φόρτιση της μπαταρίας, φέρτε τον διακόπτη ανάφλεξης στη θέση ΑΠΕΝΕΡΓΟΠΟΙΗΣΗ και αποσυνδέστε το αρνητικό καλώδιο (-) από τη μπαταρία.
- ΜΗΝ ψεκάζετε νερό απευθείας στο στοιχείο ηλεκτρονικού ελέγχου.

Σύστημα ηλεκτρονικής διαχείρισης καυσίμου

Το σύστημα ηλεκτρονικής διαχείρισης καυσίμου παρακολουθεί τη θερμοκρασία του κινητήρα, την ταχύτητα του κινητήρα και την τάση της μπαταρίας, ώστε να ρυθμίζεται το τσοκ κατά την εκκίνηση και την προθέρμανση του κινητήρα. Δεν υπάρχει δυνατότητα ρύθμισης του συστήματος. Εάν παρουσιαστεί πρόβλημα με την εκκίνηση ή τη λειτουργία, επικοινωνήστε με Εξουσιοδοτημένο αντιπρόσωπο σέρβις της Briggs & Stratton.

ΕΠΙΣΗΜΑΝΣΗ Βεβαιωθείτε ότι ακολουθείτε αυτούς τους κανόνες, ειδήλλως ενδέχεται να προκληθεί ζημιά στο σύστημα ηλεκτρονικής διαχείρισης καυσίμου.

- ΜΗΝ θέτετε σε λειτουργία τον κινητήρα εάν τα καλώδια της μπαταρίας δεν είναι καλά συνδεδεμένα.
- Πριν συνδέσετε τα καλώδια εκκίνησης ή αποσυνδέσετε ή επανασυνδέσετε τα καλώδια της μπαταρίας, γυρίστε τον διακόπτη ανάφλεξης στη θέση ΑΠΕΝΕΡΓΟΠΟΙΗΣΗ. Όταν φορτίζετε την μπαταρία, γυρίστε τον διακόπτη ανάφλεξης στη θέση ΑΠΕΝΕΡΓΟΠΟΙΗΣΗ.
- Όταν αποσυνδέετε τα καλώδια της μπαταρίας από την μπαταρία, αποσυνδέστε το αρνητικό (-) καλώδιο και έπειτα αποσυνδέστε το θετικό (+) καλώδιο από την μπαταρία. Όταν συνδέετε τα καλώδια της μπαταρίας στην μπαταρία, συνδέστε πρώτα το θετικό (+) καλώδιο και έπειτα το αρνητικό (-) καλώδιο στην μπαταρία.
- ΜΗΝ χρησιμοποιείτε φορτιστή μπαταρίας για να θέσετε σε λειτουργία τον κινητήρα.
- ΜΗΝ αποσυνδέσετε τα καλώδια της μπαταρίας κατά τη διάρκεια λειτουργίας του κινητήρα.

- ΜΗΝ ψεκάζετε νερό απευθείας πάνω στην ηλεκτρονική μονάδα ελέγχου.

Καρμπιρατέρ και ταχύτητα κινητήρα

Μην κάνετε προσαρμογές στο καρμπιρατέρ, το ελατήριο του ρυθμιστή ταχύτητας, τις συνδεσμολογίες ή τα άλλα εξαρτήματα για να προσαρμόσετε την ταχύτητα του κινητήρα. Σε περίπτωση που απαιτούνται ρυθμίσεις, απευθυνθείτε σε Εξουσιοδοτημένο αντιπρόσωπο σέρβις της Briggs & Stratton για σέρβις.

ΕΠΙΣΗΜΑΝΣΗ

Ο κατασκευαστής του εξοπλισμού καθορίζει τη μέγιστη ταχύτητα για τον κινητήρα όπως τοποθετείται στον εξοπλισμό. Μην υπερβαίνετε αυτήν την ταχύτητα. Εάν δεν είστε βέβαιοι για τη μέγιστη ταχύτητα του εξοπλισμού ή τη ρυθμισμένη από το εργοστάσιο ταχύτητα του κινητήρα, απευθυνθείτε για βοήθεια σε εξουσιοδοτημένο αντιπρόσωπο σέρβις της Briggs & Stratton. Για την ασφαλή και σωστή λειτουργία του εξοπλισμού, η ταχύτητα του κινητήρα πρέπει να ρυθμίζεται αποκλειστικά από έναν εξειδικευμένο τεχνικό σέρβις.

Διεξαγωγή εργασιών συντήρησης στο μπουζί

Ελέγξτε το διάκενο μπουζί (Α, Εικόνα 12) με διακονόμετρο (Β). Εάν χρειάζεται, ρυθμίστε το διάκενο μπουζί. Τοποθετήστε και σφίξτε το μπουζί σύμφωνα με τη σωστή ροπή σύσφιξης. Για τις προδιαγραφές του διακονόμετρου και της ροπής, ανατρέξτε στην ενότητα **Προδιαγραφές**.

Διεξαγωγή εργασιών συντήρησης στο σύστημα εξάτμισης



ΠΡΟΕΙΔΟΠΟΙΗΣΗ

Κατά τη λειτουργία, ο κινητήρας και ο σιγαστήρας ζεσταίνονται. Εάν αγγίξετε έναν ζεστό κινητήρα, μπορεί να προκληθούν θερμικά εγκαύματα.

Τα καύσιμα υλικά, όπως φύλλα, γρασιδί και θάμνοι, μπορούν να πάρουν φωτιά.

- Πριν αγγίξετε τον κινητήρα ή τον σιγαστήρα, σταματήστε τον κινητήρα και περιμένετε δύο (2) λεπτά. Βεβαιωθείτε ότι είναι ασφαλές να αγγίξετε τον κινητήρα και τον σιγαστήρα.
- Απομακρύνετε τα απόβλητα από τον σιγαστήρα και τον κινητήρα.

Η χρήση ή η λειτουργία του κινητήρα σε δασώδη, χλωώδη ή θαμνώδη άγρια περιοχή συνιστά παράβαση της Ενότητας 4442 του Κώδικα περί Φυσικών Πόρων της Καλιφόρνιας, εκτός εάν το σύστημα εξάτμισης διαθέτει πλέγμα προφύλαξης από σπινθηρές που διατηρείται σε καλή λειτουργική κατάσταση, όπως ορίζεται στην Ενότητα 4442. Η δικαιοδοσία άλλων πολιτειών ή άλλες ομοσπονδιακές δικαιοδοσίες ενδέχεται να έχουν παρόμοιους νόμους. Ανατρέξτε στον Ομοσπονδιακό Κανονισμό 36 CFR Μέρος 261.52. Για να προμηθευτείτε πλέγμα προστασίας από σπινθηρές το οποίο είναι σχεδιασμένο για το σύστημα εξάτμισης που υπάρχει εγκατεστημένο στον συγκεκριμένο κινητήρα, απευθυνθείτε στον αρχικό κατασκευαστή του εξοπλισμού.

Απομακρύνετε τα απόβλητα από την περιοχή του σιγαστήρα και του κυλίνδρου. Ελέγξτε τον σιγαστήρα για ρωγμές, διάβρωση ή άλλες ζημιές. Αφαιρέστε τον εκτροπέα ή τη φλογοπαγίδα, εάν υπάρχει, και ελέγξτε για ζημιές ή φράξιμο από άνθρακα. Εάν διαπιστώσετε ζημιές, τοποθετήστε τα ανταλλακτικά πριν θέσετε σε λειτουργία τον εξοπλισμό.



ΠΡΟΕΙΔΟΠΟΙΗΣΗ

Τα ανταλλακτικά πρέπει να είναι ίδια με τα γνήσια εξαρτήματα και να τοποθετούνται στην ίδια θέση με τα αρχικά εξαρτήματα. Άλλα εξαρτήματα ενδέχεται να προκαλέσουν ζημιά ή τραυματισμό.

Αλλαγή λιπαντικού κινητήρα



ΠΡΟΕΙΔΟΠΟΙΗΣΗ

Το καύσιμο και οι αναθυμιάσεις είναι εύφλεκτες και εκρηκτικές. Πυρκαγιά ή έκρηξη μπορεί να οδηγήσει σε εγκαύματα ή θάνατο.

Κατά τη λειτουργία, ο κινητήρας και ο σιγαστήρας ζεσταίνονται. Εάν αγγίξετε έναν ζεστό κινητήρα, μπορεί να προκληθούν θερμικά εγκαύματα.

- Εάν αποστραγγίσετε το λάδι από τον επάνω σωλήνα πλήρωσης λαδιού, το ρεζερβουάρ καυσίμου πρέπει να είναι άδειο. Εάν δεν είναι άδειο, μπορεί να προκληθεί διαρροή καυσίμου που να οδηγήσει σε πυρκαγιά ή έκρηξη.
- Πριν αγγίξετε τον κινητήρα ή τον σιγαστήρα, σταματήστε τον κινητήρα και περιμένετε δύο (2) λεπτά. Βεβαιωθείτε ότι είναι ασφαλές να αγγίξετε τον κινητήρα και τον σιγαστήρα.

Το μεταχειρισμένο λάδι είναι επικίνδυνο απόβλητο και πρέπει να απορριπτεί σωστά. Μην το απορρίπτετε στον κάδο οικιακών απορριμμάτων. Επικοινωνήστε με τις τοπικές αρχές, το συνεργείο ή τον αντιπρόσωπο για την ασφαλή απόρριψη ή για εγκαταστάσεις ανακύκλωσης.

Άδεια λαδιού

- Με τον κινητήρα ΕΚΤΟΣ λειτουργίας και ενώ είναι ακόμη ζεστός, αποσυνδέστε το(α) καλώδιο(α) του μπουζί (D, Εικόνα 13) και κρατήστε το(α) μακριά από το(α) μπουζί (E).
- Αφαιρέστε τον δείκτη στάθμης λαδιού (A, Εικόνες 14, 15).
- Αφαιρέστε το πώμα αποστράγγισης λαδιού (F, Εικόνες 16, 17). Αδειάστε το λάδι σε εγκεκριμένο δοχείο.
- Τοποθετήστε και σφίξτε το πώμα αποστράγγισης λαδιού (F, Εικόνες 16, 17).

Αλλαγή φίλτρου λαδιού, εάν υπάρχει

- Αδειάστε το λάδι από τον κινητήρα. Ανατρέξτε στην ενότητα **Αφαίρεση λαδιού**.
- Αφαιρέστε το φίλτρο λαδιού (G, Εικόνες 18, 19) και απορρίψτε το σωστά.
- Πριν τοποθετήσετε το καινούριο φίλτρο λαδιού, απλώστε μια ελαφριά στρώση καθαρού λαδιού στη φλάντζα του φίλτρου λαδιού.
- Τοποθετήστε το φίλτρο λαδιού με το χέρι ώσπου η φλάντζα να έρθει σε επαφή με τον προσαρμογέα του φίλτρου λαδιού και έπειτα σφίξτε το φίλτρο λαδιού κατά 1/2 έως 3/4 της στροφής.
- Προσθέστε λάδι. Ανατρέξτε στην ενότητα **Προσθήκη λαδιού**.
- Ξεκινήστε και θέστε σε λειτουργία τον κινητήρα. Όταν ο κινητήρας ζεσταθεί, ελέγξτε για διαρροές λαδιού.
- Διακόψτε τη λειτουργία του κινητήρα. Βεβαιωθείτε ότι η στάθμη λαδιού βρίσκεται στο επάνω μέρος της ένδειξης πλήρους στάθμης στον δείκτη. Ανατρέξτε στην ενότητα **Προσθήκη λαδιού**.

Προσθήκη λαδιού

- Βεβαιωθείτε ότι ο κινητήρας βρίσκεται σε οριζόντια θέση.
 - Καθαρίστε όλα τα απόβλητα στην περιοχή γύρω από το πώμα πλήρωσης λαδιού.
 - Ανατρέξτε στην ενότητα **Προδιαγραφές** για τη χωρητικότητα λαδιού.
- Αφαιρέστε τον δείκτη στάθμης λαδιού (A, Εικόνες 20, 21). Αφαιρέστε το λάδι από τον δείκτη στάθμης με ένα καθαρό πανί.
 - Προσθέστε αργά λάδι μέσα από την οπή πλήρωσης λαδιού κινητήρα (C, Εικόνες 20, 21) **Μην γεμίζετε υπερβολικά**. Περιμένετε ένα λεπτό και εν συνεχεία ελέγξτε τη στάθμη του λαδιού.
 - Τοποθετήστε και σφίξτε τον δείκτη στάθμης (A, Εικόνες 20, 21).
 - Αφαιρέστε τον δείκτη στάθμης και ελέγξτε τη στάθμη του λαδιού. Η σωστή στάθμη λαδιού είναι το πάνω σημείο της ένδειξης πλήρους στάθμης (B, Εικόνες 20, 21) που απεικονίζεται στον δείκτη στάθμης.
 - Τοποθετήστε και σφίξτε τον δείκτη στάθμης (A, Εικόνες 20, 21).
 - Συνδέστε το(α) καλώδιο(α) του μπουζί (D, Εικόνα 20) στο(α) μπουζί.

Εκτέλεση εργασιών συντήρησης στο φίλτρο αέρα

ΠΡΟΕΙΔΟΠΟΙΗΣΗ

Οι αναθυμιάσεις καυσίμου είναι εύφλεκες και εκρηκτικές. Πυρκαγιά ή έκρηξη μπορεί να οδηγήσει σε εγκαύματα ή θάνατο.

- Μην ξεκινάτε και μη θέσετε σε λειτουργία τον κινητήρα όταν έχει αφαιρεθεί το συγκρότημα του φίλτρου αέρα (εφόσον υπάρχει) ή το φίλτρο αέρα (εάν υπάρχει).

ΕΠΙΣΗΜΑΝΣΗ

Μην χρησιμοποιείτε πεπιεσμένο αέρα ή διαλύτες για να καθαρίσετε το φίλτρο. Ο πεπιεσμένος αέρας μπορεί να προκαλέσει ζημιά στο φίλτρο, ενώ οι διαλύτες θα το διαλύσουν.

Ανατρέξτε στο **Πρόγραμμα συντήρησης** για τις απαιτήσεις σέρβις.

Ορισμένα μοντέλα διαθέτουν ένα προαιρετικό προφίλτρο, το οποίο μπορεί να καθαριστεί και να χρησιμοποιηθεί ξανά. Συγκρίνετε τις εικόνες σε αυτό το εγχειρίδιο με τον τύπο που είναι εγκατεστημένος στον κινητήρα σας.

- Μοντέλα χωρίς ρεζερβουάρ καυσίμου:** Ανοίξτε τον(ους) συνδετήρα(ες) (A, Εικόνα 22) και αφαιρέστε το κάλυμμα (B).
- Μοντέλα με δοχείο καυσίμου:** Αφαιρέστε τον(τους) συνδετήρα(ες) (C, Εικόνα 23) και το κάλυμμα (D).
- Αφαιρέστε το παξιμάδι (D, Εικόνες 22, 23) και το συγκρατητή (E).
- Αφαιρέστε το φίλτρο αέρα (F, Εικόνες 22, 23).
- Αφαιρέστε το προφίλτρο (G, Εικόνες 22, 23), εάν υπάρχει, από το φίλτρο αέρα (F).
- Για να απομακρύνετε τα υπολείμματα, χτυπήστε ελαφρά το φίλτρο (F, Εικόνες 22, 23) σε σκληρή επιφάνεια. Εάν το φίλτρο αέρα είναι λερωμένο, αντικαταστήστε το με καινούριο.
- Καθαρίστε το προφίλτρο (G, Εικόνες 22, 23), εάν υπάρχει, με υγρό απορρυπαντικό και νερό. Αφήστε το προφίλτρο να στεγνώσει πλήρως στον αέρα. **ΜΗ** λιπαίνετε το προφίλτρο.

Συντήρηση συστήματος καυσίμου

ΠΡΟΕΙΔΟΠΟΙΗΣΗ

Το καύσιμο και οι αναθυμιάσεις είναι εύφλεκες και εκρηκτικές. Πυρκαγιά ή έκρηξη μπορεί να οδηγήσει σε εγκαύματα ή θάνατο.

- Το καύσιμο πρέπει να μένει μακριά από σπινθήρες, ανοιχτές φλόγες, φώτα εναύσματος, πηγές θερμότητας και άλλες πηγές ανάφλεξης.
- Ελέγχετε συχνά τις σωληνώσεις καυσίμου, το ρεζερβουάρ καυσίμου, την τάπα του ρεζερβουάρ και τις συνδέσεις για ρωγμές ή διαρροές. Αντικαθιστάτε τα κατεστραμμένα εξαρτήματα.
- Εάν χυθεί καύσιμο, περιμένετε να στεγνώσει πριν θέσετε σε λειτουργία τον κινητήρα.

Φίλτρο καυσίμου, εάν υπάρχει

- Προτού αντικαταστήσετε το φίλτρο καυσίμου (A, Εικόνα 24), αποστραγγίστε το ρεζερβουάρ καυσίμου ή κλείστε τη βαλβίδα διακοπής της παροχής καυσίμου. Εάν δεν αποστραγγίσετε το ρεζερβουάρ καυσίμου, το καύσιμο μπορεί να διαρρέυσει και να προκαλέσει πυρκαγιά ή έκρηξη.
- Πιέστε τις γλωπίδες (B, Εικόνα 24) στους σφιγκτήρες (C) με πένσα. Απομακρύνετε τους σφιγκτήρες από το φίλτρο καυσίμου (A).
- Συστρέψτε και απομακρύνετε τις σωληνώσεις καυσίμου (D, Εικόνα 24) από το φίλτρο καυσίμου.
- Επιθεωρήστε τις γραμμές καυσίμου (D, Εικόνα 24) για ρωγμές ή διαρροές. Εάν είναι απαραίτητο, αντικαταστήστε τις σωληνώσεις καυσίμου.
- Αντικαταστήστε το φίλτρο καυσίμου (A, Εικόνα 24).
- Ενώστε τις σωληνώσεις καυσίμου (D, Εικόνα 24) με σφιγκτήρες (C).

Εκτέλεση εργασιών συντήρησης στο σύστημα ψύξης

ΠΡΟΕΙΔΟΠΟΙΗΣΗ

Κατά τη λειτουργία, ο κινητήρας και ο σιγαστήρας ζεσταίνονται. Εάν αγγίξετε έναν ζεστό κινητήρα, μπορεί να προκληθούν θερμικά εγκαύματα.

Τα καύσιμα απόβλητα, όπως φύλλα, γρασιδί και θάμνοι, μπορούν να πάρουν φωτιά.

- Πριν αγγίξετε τον κινητήρα ή τον σιγαστήρα, σταματήστε τον κινητήρα και περιμένετε δύο (2) λεπτά. Βεβαιωθείτε ότι είναι ασφαλές να αγγίξετε τον κινητήρα και τον σιγαστήρα.
- Απομακρύνετε τα απόβλητα από τον σιγαστήρα και τον κινητήρα.

ΕΠΙΣΗΜΑΝΣΗ

Μην καθαρίζετε τον κινητήρα με νερό. Το νερό μπορεί να ρυπάνει το σύστημα καυσίμου. Χρησιμοποιείτε βούρτσα ή στεγνό πανί για να καθαρίσετε τον κινητήρα.

Ο κινητήρας αυτός είναι αερόψυκτος. Οι σκόνες ή τα απόβλητα ενδέχεται να εμποδίσουν την ροή αέρα και να προκαλέσουν υπερθέρμανση του κινητήρα, με αποτέλεσμα τη μη ικανοποιητική απόδοση και τη μείωση της διάρκειας ζωής του.

- Χρησιμοποιήστε βούρτσα ή στεγνό πανί για να απομακρύνετε τα απόβλητα από το στόμιο λήψης αέρα.
- Διατηρείτε τις συνδεσμολογίες, τα ελατήρια και τα χειριστήρια καθαρά.
- Φροντίστε η περιοχή γύρω και πίσω από τον σιγαστήρα, εφόσον υπάρχει, να διατηρείται καθαρή από εύφλεκα απόβλητα.
- Βεβαιωθείτε ότι τα πτερύγια του ψύκτη λαδιού, εφόσον υπάρχει, είναι καθαρά.

Μετά από κάποιο χρονικό διάστημα, υπάρχει περίπτωση τα πτερύγια ψύξης του κυλίνδρου να συσσωρεύσουν διάφορα υπολείμματα και να προκαλέσουν υπερθέρμανση του κινητήρα. Αυτό το ανεπιθύμητο υλικό δεν μπορεί να αφαιρεθεί χωρίς μερική αποσυρμαρμολόγηση του κινητήρα. Αναθέστε την επιθεώρηση και τον καθαρισμό του συστήματος αερόψυξης σε Εξουσιοδοτημένο αντιπρόσωπο σέρβις της Briggs & Stratton, όπως συνιστάται στο **Πρόγραμμα συντήρησης**.

Αποθήκευση Σύστημα καυσίμου

Ανατρέξτε στην Εικόνα: 25.



ΠΡΟΕΙΔΟΠΟΙΗΣΗ

Το καύσιμο και οι αναθυμιάσεις είναι εύφλεκτες και εκρηκτικές. Πυρκαγιά ή έκρηξη μπορεί να οδηγήσει σε εγκαύματα ή θάνατο.

Αποθήκευση καυσίμου

- Επειδή οι ενδεικτικές λυχνίες ή άλλες πηγές ανάφλεξης μπορούν να προκαλέσουν εκρήξεις, κρατάτε το καύσιμο ή τον εξοπλισμό μακριά από καμίνους, θερμάστρες, θερμοσίφωνες ή άλλες συσκευές που διαθέτουν ενδεικτικές λυχνίες.

Κρατήστε τον κινητήρα σε οριζόντια θέση (κανονική θέση λειτουργίας). Γεμίστε το ρεζερβουάρ καυσίμου (Α, Εικόνα 25) με καύσιμο. Για τη διαστολή του καυσίμου, μη γεμίζετε το ρεζερβουάρ καυσίμου πάνω από το στόμιο του (Β).

Το καύσιμο μπορεί να ξεθυμάνει όταν διατηρείται σε δοχείο αποθήκευσης για περισσότερες από 30 ημέρες. Συνιστάται η χρήση σταθεροποιητή καυσίμου χωρίς αλκοόλη και ο εμπλουτισμός με αιθυλική αλκοόλη στο δοχείο αποθήκευσης καυσίμου για την αποφυγή αποδόμησης του καυσίμου αλλά και για να διατηρείται φρέσκο.

Όταν γεμίζετε το δοχείο με καύσιμο, προσθέστε σταθεροποιητή καυσίμου χωρίς αλκοόλη, όπως καθορίζεται από τις οδηγίες του κατασκευαστή. Εάν η βενζίνη στον κινητήρα δεν έχει υποστεί επεξεργασία με σταθεροποιητή καυσίμου, πρέπει να αποστραγγιστεί σε εγκεκριμένο δοχείο. Λειτουργήστε τον κινητήρα μέχρι να τελειώσει το καύσιμο.

Λιπαντικό κινητήρα

Αλλάζετε το λάδι του κινητήρα όταν ο κινητήρας είναι ακόμη ζεστός. Ανατρέξτε στην ενότητα **Αλλαγή του λαδιού κινητήρα**.

Αντιμετώπιση προβλημάτων

Βοήθεια

Για βοήθεια, απευθυνθείτε στον τοπικό σας αντιπρόσωπο ή μεταβείτε στο **BRIGGSandSTRATTON.COM** ή καλέστε στο **1-800-444-7774** (στις ΗΠΑ).

Προδιαγραφές

Προδιαγραφές και Ανταλλακτικά

ΜΟΝΤΕΛΑ: 290000, 300000

Κυβισμός	29.23 ci (479 cm ³)
Διάμετρος κυλίνδρου	2.677 ίντσα (68 χλστ.)
Διαδρομή εμβόλου	2.598 ίντσα (66 χλστ.)
Χωρητικότητα λαδιού	46 - 48 oz (1,36 - 1,42 λίτρα)
Διάκενο μπουζί	.030 ίντσα (.76 χλστ.)
Ροπή σύσφιξης μπουζί	180 λίβρα-ίντσα (20 Nm)
Διάκενο μεταξύ επαγωγίμου και επαγωγέος - Μοντέλα καρμπυρατέρ	.008 - .012 ίντσα (.20 - .30 χλστ.)
Διάκενο βαλβίδας εισαγωγής	.004 - .006 ίντσα (.10 - .15 χλστ.)
Διάκενο βαλβίδας εξαγωγής	.004 - .006 ίντσα (.10 - .15 χλστ.)

ΜΟΝΤΕΛΟ: 350000

Κυβισμός	34.78 ci (570 cm ³)
Διάμετρος κυλίνδρου	2.835 ίντσα (72 χλστ.)
Διαδρομή εμβόλου	2.756 ίντσα (70 χλστ.)
Χωρητικότητα λαδιού	46 - 48 oz (1,36 - 1,42 λίτρα)
Διάκενο μπουζί	.030 ίντσα (.76 χλστ.)
Ροπή σύσφιξης μπουζί	180 λίβρα-ίντσα (20 Nm)
Διάκενο μεταξύ επαγωγίμου και επαγωγέος - Μοντέλα καρμπυρατέρ	.008 - .012 ίντσα (.20 - .30 χλστ.)
Διάκενο βαλβίδας εισαγωγής	.004 - .006 ίντσα (.10 - .15 χλστ.)
Διάκενο βαλβίδας εξαγωγής	.004 - .006 ίντσα (.10 - .15 χλστ.)

ΜΟΝΤΕΛΟ: 380000

Κυβισμός	38.26 ci (627 cm ³)
Διάμετρος κυλίνδρου	2.972 ίντσα (75,5 χλστ.)
Διαδρομή εμβόλου	2.756 ίντσα (70 χλστ.)
Χωρητικότητα λαδιού	46 - 48 oz (1,36 - 1,42 λίτρα)
Διάκενο μπουζί	.030 ίντσα (.76 χλστ.)
Ροπή σύσφιξης μπουζί	180 λίβρα-ίντσα (20 Nm)

ΜΟΝΤΕΛΟ: 380000

Διάκενο μεταξύ επαγωγίμου και επαγωγέος - Μοντέλα με καρμπυρατέρ	.008 - .012 ίντσα (.20 - .30 χλστ.)
Διάκενο βαλβίδας εισαγωγής	.004 - .006 ίντσα (.10 - .15 χλστ.)
Διάκενο βαλβίδας εξαγωγής	.004 - .006 ίντσα (.10 - .15 χλστ.)

Η ισχύς του κινητήρα μειώνεται κατά 3,5% ανά 1.000 πόδια (300 μέτρα) επάνω από το επίπεδο της θάλασσας και κατά 1% ανά 10°F (5,6°C) επάνω από τους 77°F (25°C). Ο κινητήρας λειτουργεί ικανοποιητικά σε γωνία έως 15°. Για τα επιτρεπτά όρια ασφαλούς λειτουργίας σε επικλινές έδαφος, ανατρέξτε στο εγχειρίδιο χειριστή του εξοπλισμού.

ΜΟΝΤΕΛΑ: 290000, 300000, 350000, 380000

Ανταλλακτικό εξάρτημα	Αριθμός ανταλλακτικού
Φίλτρο αέρα (με ρεζερβουάρ καυσίμου, Εικόνα 23)	383857
Φίλτρο αέρα (εκτός από το Μοντέλο 380000, Εικόνα 22)	394018
Φίλτρο αέρα (Μοντέλο 380000, 22)	692519
Προφίλτρο φίλτρου αέρα (με ρεζερβουάρ καυσίμου, Εικόνα 23)	271794
Προφίλτρο φίλτρου αέρα (εκτός από Μοντέλο 380000, Εικόνα 22)	272490
Προφίλτρο φίλτρου αέρα (Μοντέλο 380000, Εικόνα 22)	692520
Λάδι - SAE 30	100028
Φίλτρο λαδιού	842921
Φίλτρο καυσίμου (με ρεζερβουάρ καυσίμου)	808116
Φίλτρο καυσίμου με (αντλία καυσίμου)	845125
Φίλτρο καυσίμου (χωρίς αντλία καυσίμου)	298090
Μπουζί με αντίσταση	491055S
Μπουζί από πλατίνα μεγάλης διάρκειας	696202, 5066K
Μπουζόκλειδο	19576S
Δοκιμαστής σπινθηρών	84003327

Για όλες τις εργασίες συντήρησης και σέρβις του κινητήρα και των εξαρτημάτων του, σας συνιστούμε να επισκέπτεστε Εξουσιοδοτημένο αντιπρόσωπο της Briggs & Stratton.

Ονομαστικές τιμές ισχύος

Η ονομαστική μεικτή ισχύς για μεμονωμένα μοντέλα βενζινοκινητήρων επισημαίνεται στην πινακίδα τους με βάση τον κώδικα J1940 της SAE (Society of Automotive Engineers, Ένωση Μηχανικών Αυτοκινήτων στις ΗΠΑ) για τη διαδικασία καθορισμού της ονομαστικής ισχύος και της ροπής στρέψης μικρών κινητήρων και έχει υπολογιστεί με βάση τον κώδικα J1995 της SAE. Οι τιμές της ροπής στρέψης προκύπτουν στις 2.600 σ.α.λ. για τους κινητήρες όπου αναγράφονται οι «σ.α.λ.» στην ετικέτα και στις 3.060 σ.α.λ. για όλους τους υπόλοιπους. Οι τιμές ιπποδύναμης προκύπτουν στις 3.600 σ.α.λ. Μπορείτε να δείτε τις καμπύλες μεικτής ισχύος στον ιστότοπο www.BRIGGSandSTRATTON.COM. Οι τιμές καθαρής ισχύος μετρούνται μετά την εγκατάσταση της εξάμισης και του φίλτρου αέρα, ενώ οι τιμές μεικτής ισχύος συλλέγονται χωρίς τα εν λόγω προσαρτήματα. Η πραγματική μεικτή ισχύς του κινητήρα θα είναι υψηλότερη από την καθαρή ισχύ και επηρεάζεται, μεταξύ άλλων, από τις συνθήκες του περιβάλλοντος λειτουργίας και από τις διαφορές μεταξύ των κινητήρων. Δεδομένης της ευρείας γκάμας των προϊόντων στα οποία τοποθετούνται οι κινητήρες, ο βενζινοκινητήρας ενδέχεται να μην αναπτύσσει την ονομαστική μεικτή ισχύ όταν χρησιμοποιείται σε συγκεκριμένο ηλεκτροκίνητο εξοπλισμό. Η διαφορά αυτή οφείλεται σε διάφορους παράγοντες, που περιλαμβάνουν, ενδεικτικά, την ποικιλία εξαρτημάτων του κινητήρα (φίλτρο αέρα, εξάμιση, σύστημα φόρτισης, ψύξης, καρμπυρατέρ, αντλία καυσίμου, κ.λπ.), τους περιορισμούς της εφαρμογής, τις συνθήκες λειτουργίας του περιβάλλοντος (θερμοκρασία, υγρασία, υψόμετρο), καθώς και τη μεταβλητότητα του κινητήρα. Λόγω περιορισμών όσον αφορά στην κατασκευή και τη χωρητικότητα, η Briggs & Stratton μπορεί να αντικαταστήσει τον κινητήρα με κάποιον άλλο υψηλότερης ονομαστικής ισχύος.

Εγγύηση

Εγγύηση της Briggs & Stratton® για τους κινητήρες
Ισχύει από τον Αύγουστο του 2022

Περιορισμένη εγγύηση

Η Briggs & Stratton εγγυάται ότι, κατά τη διάρκεια της περιόδου εγγύησης που καθορίζεται παρακάτω, θα επισκευάσει ή θα αντικαταστήσει, χωρίς καμία χρέωση, με καινούργιο, ανασκευασμένο ή ανακατασκευασμένο εξάρτημα, κατά την αποκλειστικά διακριτική ευχέρεια της Briggs & Stratton, οποιοδήποτε εξάρτημα που θα διαπιστωθεί ότι είναι ελαττωματικό λόγω υλικών ή κακοτεχνίας ή και για τους δύο αυτούς λόγους. Τα έξοδα μεταφοράς για τα προϊόντα που αποστέλλονται για επισκευή ή αντικατάσταση στο πλαίσιο της παρούσας εγγύησης επιβαρύνουν τον αγοραστή. Η παρούσα εγγύηση ισχύει για τα χρονικά διαστήματα και υπό τους όρους που αναφέρονται παρακάτω. Για εργασίες συντήρησης στο πλαίσιο της εγγύησης, βρείτε τον πλησιέστερο

Εξουσιοδοτημένο αντιπρόσωπο σέρβις στον χάρτη του Εντοπιστή Αντιπροσώπων στο BRIGGSandSTRATTON.COM. Ο αγοραστής πρέπει να επικοινωνήσει με τον εξουσιοδοτημένο αντιπρόσωπο σέρβις και, στη συνέχεια, να του παρουσιάσει το προϊόν για έλεγχο και δοκιμή.

Δεν υπάρχει άλλη ρητή εγγύηση. Οι σιωπηρές εγγυήσεις, συμπεριλαμβανομένων όσων αφορούν την εμπορευσιμότητα και την καταλληλότητα για συγκεκριμένο σκοπό, περιορίζονται στο ένα έτος από την αγορά ή στον βαθμό που επιτρέπεται από την ισχύουσα νομοθεσία. Όλες οι άλλες σιωπηρές εγγυήσεις εξαιρούνται. Οι ευθύνες για ακούσια ή επακόλουθη ζημιά εξαιρούνται στον βαθμό που επιτρέπεται από την ισχύουσα νομοθεσία. Ορισμένες πολιτείες ή χώρες δεν επιτρέπουν περιορισμούς όσον αφορά τη διάρκεια των σιωπηρών εγγυήσεων και ορισμένες πολιτείες ή χώρες δεν επιτρέπουν την εξαιρέση ή τον περιορισμό της τυχαιάς ή επακόλουθης ζημιάς και, συνεπώς, ο περιορισμός και η εξαιρέση που προαναφέρονται μπορεί να μην ισχύουν για εσάς. Η παρούσα εγγύηση σας παρέχει ειδικά νομικά δικαιώματα και, ενδεχομένως, και άλλα δικαιώματα που διαφέρουν από πολιτεία σε πολιτεία και από χώρα σε χώρα.

Βασικοί όροι εγγύησης ^{1, 2}
Vanguard® , Εμπορική σειρά
Χρήση από τους καταναλωτές - 36 μήνες
Εμπορική χρήση - 36 μήνες
Σειρά XR
Χρήση από τους καταναλωτές - 24 μήνες
Εμπορική χρήση - 24 μήνες
Όλοι οι λοιποί κινητήρες που διαθέτουν χιτώνια από χυτοσίδηρο Dura-Bore™
Χρήση από τους καταναλωτές - 24 μήνες
Εμπορική χρήση - 12 μήνες
Όλοι οι λοιποί κινητήρες
Χρήση από τους καταναλωτές - 24 μήνες
Εμπορική χρήση - 3 μήνες

¹ Αυτοί είναι οι βασικοί όροι εγγύησης που παρέχει η εταιρεία μας αλλά, κατά περίπτωση, ενδέχεται να υπάρχουν πρόσθετες καλύψεις που δεν προσδιορίζονται κατά τη δημοσίευση της εγγύησης. Για τους όρους εγγύησης που ισχύουν για τον κινητήρα σας, ανατρέξτε στην ιστοσελίδα BRIGGSandSTRATTON.COM ή επικοινωνήστε με τον τοπικό Εξουσιοδοτημένο αντιπρόσωπο σέρβις της Briggs & Stratton.

² Δεν υπάρχει εγγύηση για κινητήρες σε εξοπλισμό που χρησιμοποιείται για κύρια παροχή ρεύματος αντικαθιστώντας οργανισμό κοινής ωφελείας ή για εφεδρικές γεννήτριες που χρησιμοποιούνται για εμπορικούς σκοπούς, οχήματα γενικής χρήσης άνω των 25 MPH ή κινητήρες που χρησιμοποιούνται σε αγώνες ταχύτητας ή σε επαγγελματικές ή ενοικιαζόμενες πίστες.

* Στην Αυστραλία - Τα προϊόντα μας συνοδεύονται από εγγυήσεις που δεν μπορούν να εξαιρεθούν σύμφωνα με τη Νομοθεσία της Αυστραλίας περί Προστασίας των Καταναλωτών. Δικαιούστε αντικατάσταση ή επιστροφή χρημάτων σε περίπτωση σοβαρής βλάβης και αποζημίωση σε περίπτωση οποιασδήποτε άλλης ευλόγως προβλέψιμης απώλειας ή βλάβης. Δικαιούστε επίσης επισκευή ή αντικατάσταση των προϊόντων, εάν η ποιότητα των προϊόντων είναι μη αποδεκτή, ακόμα και εάν η βλάβη δεν είναι σοβαρή. Για σέρβις στα πλαίσια της εγγύησης, εντοπίστε τον πλησιέστερο Εξουσιοδοτημένο αντιπρόσωπο σέρβις στον χάρτη του Εντοπιστή Αντιπροσώπων μας στο BRIGGSandSTRATTON.COM ή καλέστε στο 1300 274 447 ή στείλτε μας e-mail στη διεύθυνση salesenquires@briggsandstratton.com.au ή στείλτε επιστολή στη διεύθυνση Briggs & Stratton Australia Pty Ltd, 1 Moorebank Avenue, Moorebank, NSW, Αυστραλία, 2170.

Η διάρκεια της εγγύησης ξεκινά από την ημερομηνία αγοράς από τον πρώτο καταναλωτή λιανικού εμπορίου ή από τον τελικό εμπορικό χρήστη και συνεχίζει να ισχύει για τη χρονική περίοδο που αναγράφεται στον παραπάνω πίνακα. «Καταναλωτική χρήση» σημαίνει προσωπική, κατ'οίκον χρήση από καταναλωτή προϊόντων λιανικού εμπορίου. «Επαγγελματική χρήση» σημαίνει όλες τις άλλες χρήσεις συμπεριλαμβανομένης της χρήσης για επαγγελματικούς και εισοδηματικούς σκοπούς ή σκοπούς ενοικίασης. Εφόσον ένας κινητήρας έχει χρησιμοποιηθεί για επαγγελματικούς σκοπούς, στο πλαίσιο της παρούσας εγγύησης, θα θεωρείται ως κινητήρας επαγγελματικής χρήσης.

Δεν απαιτείται ειδική εγγραφή για να ισχύσει η εγγύηση στα προϊόντα της Briggs & Stratton. Φυλάξτε την απόδειξη αγοράς. Εάν δεν προσκομίσετε αποδεικτικό της αρχικής αγοράς τη στιγμή της αίτησης για επισκευή βάσει της εγγύησης, ο προσδιορισμός της περιόδου εγγύησης θα βασιστεί στην ημερομηνία κατασκευής του προϊόντος.

Σχετικά με την εγγύησή σας

Αυτή η περιορισμένη εγγύηση καλύπτει ελαττωματικό υλικό ή/και εργασία σε σχέση με τον κινητήρα μόνο και όχι αντικατάσταση ή επιστροφή χρημάτων για το μηχανήμα πάνω στο οποίο ενδέχεται να είναι τοποθετημένος ο κινητήρας. Η τακτική συντήρηση, τα σέρβις, οι ρυθμίσεις και η κανονική φθορά δεν καλύπτονται από αυτή την εγγύηση. Παρομοίως, η εγγύηση δεν έχει εφαρμογή αν έχουν γίνει αλλαγές ή τροποποιήσεις στον κινητήρα ή αν έχει καταστεί δυσανάγνωστος ή έχει αφαιρεθεί ο αριθμός σειράς του

κινητήρα. Αυτή η εγγύηση δεν καλύπτει ζημιές ή προβλήματα απόδοσης του κινητήρα που προκλήθηκαν από:

1. Τη χρήση ανταλλακτικών που δεν είναι Briggs & Stratton
2. Τη λειτουργία του κινητήρα με ανεπαρκές, μολυσμένο ή λανθασμένου τύπου λάδι λίπανσης.
3. Η χρήση μολυσμένου ή παλιού καυσίμου, βενζίνης που περιέχει περισσότερο από 10% αιθυλική αλκοόλη ή η χρήση εναλλακτικών καυσίμων όπως υγροποιημένου αερίου πετρελαίου ή φυσικού αερίου σε κινητήρες που δεν έχουν αρχικά σχεδιαστεί/κατασκευαστεί από την Briggs & Stratton για να λειτουργούν με τέτοια καύσιμα.
4. Ακαθαρσίες που ενδέχεται να έχουν διεισδύσει στον κινητήρα λόγω ακατάλληλης συντήρησης ή επανασυναρμολόγησης του φίλτρου αέρα.
5. Χτύπημα αντικειμένου με την κοπτική λεπίδα περιστροφικής μηχανής κουρέματος γρασιδιού ή από ακατάλληλη τοποθέτηση προσαρμογών λεπίδας, φτερωτών ή άλλων διατάξεων που συνδέονται με τον στροφαλοφόρο άξονα ή από υπερβολική σύσφιξη των τραπεζοειδών ιμάντων.
6. Σχετιζόμενα εξαρτήματα ή συγκροτήματα όπως συμπλέκτες, συστήματα μετάδοσης κίνησης, χειριστήρια εξοπλισμού κ.λπ., τα οποία δεν παρέχονται από την Briggs & Stratton.
7. Υπερθέρμανση λόγω υπολειμμάτων κοπής γρασιδιού, ακαθαρσιών και υπολειμμάτων ή λόγω φωλιών τρωκτικών που προκαλούν απόφραξη ή περιορισμό ροής στα πτερύγια ψύξης ή στην περιοχή σφονδύλου ή σε λειτουργία του κινητήρα χωρίς επαρκή αερισμό.
8. Υπερβολικούς κραδασμούς λόγω υπερβολικής ταχύτητας λειτουργίας, λασκαρισμένης βάσης κινητήρα, λασκαρισμένων ή εκτός ζυγοστάθμισης κοπτικών λεπίδων ή φτερωτών ή ακατάλληλης σύζευξης μερών του εξοπλισμού με τον στροφαλοφόρο άξονα.
9. Κακή χρήση, έλλειψη τακτικής συντήρησης, αποστολή, χειρισμό ή αποθήκευση εξοπλισμού ή ακατάλληλη εγκατάσταση του κινητήρα.

Το σέρβις στα πλαίσια της εγγύησης είναι διαθέσιμο μόνο μέσω των Εξουσιοδοτημένων αντιπροσώπων σέρβις της Briggs & Stratton. Βρείτε τον πλησιέστερο Εξουσιοδοτημένο αντιπρόσωπο σέρβις στον χάρτη του Εντοπιστή Αντιπροσώπων στην BRIGGSandSTRATTON.COM ή καλώντας το 1-800-444-7774 (στις ΗΠΑ).

80114782 (Αναθεώρηση Α)

Información general



Este manual contiene información de seguridad sobre los peligros y riesgos relacionados con el motor y cómo prevenirlos. También contiene el correcto funcionamiento y mantenimiento de este motor. Es importante que lea, comprenda y obedezca estas instrucciones. **Guarde este manual para referencia futura.**

NOTA: Las figuras y las ilustraciones en este manual son proporcionadas única y exclusivamente como información y pueden diferir de su modelo específico. Utilice las figuras que corresponden a la configuración de su motor. Si es necesario, hable con un distribuidor de servicio técnico autorizado.

Registre la fecha de compra, el modelo del motor, el tipo, la versión y el número de serie del motor para las piezas de recambio. Estos números se encuentran en su motor. Consulte la sección **Características y controles**.

Fecha de compra	
Modelo - Tipo - Código	
Número de serie de la unidad	

Información de contacto de la oficina europea

Si tiene preguntas sobre las emisiones europeas, póngase en contacto con nuestra oficina de Europa en:

Max-Born-Straße 2, 68519 Viernheim, Alemania.

Fase V (5) de la Unión Europea (UE): Valores de dióxido de carbono (CO₂)

Los valores de dióxido de carbono de los motores de Briggs & Stratton con certificado de aprobación de la UE se pueden encontrar introduciendo CO₂ en la ventana de búsqueda de BriggsandStratton.com.

Información de reciclaje




Recicle todos los cartones, cajas, aceite usado y baterías conforme a lo especificado por la normativa gubernamental.

Seguridad del operario

Símbolo de alerta de seguridad y palabras de señalización



El símbolo de aviso de seguridad  se usa para identificar información de seguridad acerca de los peligros que pueden producir lesiones corporales. Se acompaña el símbolo con una palabra (**PELIGRO**, **ADVERTENCIA** o **PRECAUCIÓN**) para indicar la probabilidad de una lesión y su potencial gravedad. Además, se puede usar un símbolo de peligro para representar el tipo de peligro.





PELIGRO indica un peligro que, si no se evita, **puede** causar la muerte o lesiones graves.







ADVERTENCIA indica un peligro que, si no se evita, **podría** causar la muerte o lesiones graves.

PRECAUCIÓN indica un peligro que, si no se evita, **podría** provocar lesiones menores o moderadas.

AVISO indica información considerada importante, pero no relacionada con el riesgo.

Símbolos de peligro y sus significados

 Información de seguridad acerca de los peligros que pueden provocar lesiones corporales.	 Lea atentamente el Manual de instrucciones antes de operar la unidad o de realizar alguna operación de servicio.
 Peligro de incendio	 Peligro de explosión

 Riesgo de descarga	 Peligro de gases tóxicos
 Riesgo de superficies calientes	 Riesgo de contragolpe
 Riesgo de amputación - piezas en movimiento	 Nivel de combustible - Máximo No llene el depósito en exceso

Mensajes de seguridad



ADVERTENCIA

Los motores Briggs & Stratton® no han sido diseñados ni están destinados para su uso con karts para diversión/recreo, vehículos todoterreno para uso en eventos competitivos (ATV); motocicletas; productos para aviación o vehículos para uso en eventos competitivos no autorizados por Briggs & Stratton. Para información sobre productos para eventos competitivos, consulte www.briggsracing.com. Para su uso con vehículos utilitarios y todoterreno side-by-side, póngase en contacto con Briggs & Stratton Power Application Center, 1-866-927-3349. El uso incorrecto de un motor puede ocasionar la muerte o lesiones graves.



ADVERTENCIA

El combustible y sus vapores son extremadamente inflamables y explosivos. Un incendio o una explosión podría provocar quemaduras o la muerte.

Cuando añada combustible

- Pare el motor. Antes de quitar el tapón de combustible, espere un mínimo de dos (2) minutos para asegurarse de que el motor se haya enfriado.
- Rellene el depósito de combustible al aire libre, en un área con buena ventilación.
- No eche demasiado combustible en el depósito. Para permitir que el combustible se expanda, no llene el depósito por encima de la parte inferior del cuello del depósito de combustible.
- Mantenga el combustible alejado de chispas, llamas abiertas, pilotos, calor y otras fuentes de ignición.
- Compruebe con frecuencia las mangueras de combustible, el depósito de combustible, el tapón de combustible y las conexiones por si presentaran grietas o hubiera fugas. Sustituya las piezas dañadas.
- Si se derrama combustible, espere hasta que se seque para arrancar el motor.

Cuando arranque el motor

- Asegúrese de que la bujía, el silenciador, la tapa del depósito de combustible y el filtro de aire (si se incluye) estén correctamente instalados.
- No encienda el motor con la bujía retirada.
- Si el motor se ha ahogado, establezca el estrangulador (si se incluye) en la posición ABRIR o MARCHA. Mueva el acelerador (si se incluye) a la posición RÁPIDO e intente arrancar el motor hasta que lo consiga.
- Si hay una pérdida de gas natural o gas LP en el área, no arranque el motor.
- No use líquidos de estáter presurizados, ya que los vapores son inflamables.

Cuando ponga en funcionamiento el equipo

- No incline el motor o el equipo con un ángulo que pueda ocasionar derrames de combustible.
- No cebe el carburador (si se incluye) para detener el motor.
- Nunca arranque y ponga en marcha el motor si se ha extraído el conjunto del filtro de aire (si se incluye), o se ha extraído el filtro de aire (si se incluye).

Cuando realice tareas de mantenimiento

- Si vacía el aceite desde el tubo de llenado de aceite superior, el depósito de combustible debe estar vacío. De lo contrario, podría haber una fuga de combustible y provocar un incendio o una explosión.
- Si, durante las tareas de mantenimiento es necesario inclinar la unidad, asegúrese de que el depósito de combustible, si va montado en el motor, esté vacío y de que la bujía esté boca arriba. De lo contrario, podría haber una fuga de combustible y provocar un incendio o una explosión.
- Compruebe con frecuencia las mangueras de combustible, el depósito de combustible, el tapón de combustible y las conexiones por si presentaran grietas o hubiera fugas. Sustituya las piezas dañadas.
- No cambie los resortes de regulador, enlaces u otras piezas para aumentar la velocidad del motor.

- No golpee el volante con martillos u objetos duros. Esto podría provocar fallos del volante durante el funcionamiento.
- Las piezas de reemplazo deben ser del mismo modelo e instalarse en la misma posición que las piezas originales. Otras piezas podrían sufrir daños.

Cuando mueva el equipo de ubicación

- Asegúrese de que el depósito de combustible esté VACÍO o de que la válvula de cierre de combustible esté en la posición de CERRADO.

Almacenaje de combustible o de equipo con combustible en el tanque

- Almacene el combustible o el equipo lejos de hornos, estufas, calentadores de agua u otros aparatos que utilicen luces piloto u otras fuentes de encendido, ya que estos pueden encender los vapores de gasolina.



ADVERTENCIA
El combustible y sus vapores son extremadamente inflamables y explosivos. Un incendio o una explosión podría provocar quemaduras o la muerte.

El arranque del motor produce chispas que pueden provocar incendios o explosiones.

- Si hay una pérdida de gas natural o gas LP en el área, no arranque el motor.
- No use líquidos de estérter presurizados, ya que los vapores son inflamables.



ADVERTENCIA
PELIGRO DE GAS TÓXICO. Los gases de escape del motor contienen monóxido de carbono, un gas tóxico que puede matar en cuestión de minutos. Aunque no pueda oler los gases de escape, podría estar expuesto a monóxido de carbono. Si comienza a sentirse mal, mareado o débil cuando use este producto, apáguelo y busque aire fresco INMEDIATAMENTE. Viste a un médico. Es posible que se haya intoxicado con monóxido de carbono.

- En los espacios ocupados puede acumularse gas de monóxido de carbono. Utilice este producto EXCLUSIVAMENTE en el exterior, lejos de puertas, ventanas y respiraderos, a fin de reducir el riesgo de que el monóxido de carbono.
- Instale alarmas de monóxido de carbono que funcionen con baterías o alarmas de monóxido de carbono enchufables con batería de seguridad de acuerdo con las instrucciones del fabricante. Las alarmas de incendios no pueden detectar gas de monóxido de carbono.
- NO utilice este producto dentro de casas, garajes, sótanos, cámaras, galpones u otros espacios parcialmente cerrados incluso si está usando ventiladores o las puertas y ventanas están abiertas para ventilación. Después de haber utilizado este producto, puede acumularse rápidamente monóxido de carbono en estos espacios y permanecer allí durante horas.
- Coloque SIEMPRE este producto a favor del viento y dirija el escape del motor alejado de espacios ocupados.



ADVERTENCIA
La retracción rápida o el cable del estérter (Kickback) llevan la mano y el brazo hacia el motor más rápido de lo que usted puede controlar. Puede romperse los huesos y sufrir moratones o esguinces.

- Cuando arranque el motor, tire lentamente del cable de arranque hasta que sienta resistencia y empuje rápidamente para evitar el retroceso rápido.
- Desmonte o desconecte todo el equipo externo/cargas del motor antes de arrancar el motor.
- Los componentes del equipo de acoplamiento directo como (entre otros) cuchillas, impulsores, poleas, ruedas dentadas, etc., deben estar bien fijados.



ADVERTENCIA
Pies, manos, pelo, ropa o accesorios pueden quedar atrapados en las piezas giratorias y provocar laceraciones o amputaciones traumáticas.

- No utilice el equipo sin las protecciones correctamente instaladas.
- Mantenga las manos y los pies lejos de las partes rotativas.
- Qítense las joyas y no acerque el pelo largo a las piezas giratorias.
- No lleve ropa suelta ni prendas que puedan quedarse atrapadas.



ADVERTENCIA
Durante el funcionamiento, el motor y el silenciador se calientan. Si toca un motor caliente, puede sufrir quemaduras por calor.

Los restos combustibles, tales como hojas, hierba, maleza, etc., pueden incendiarse.

- Antes de tocar el motor o el silenciador, detenga el motor y espere dos (2) minutos. Compruebe que sea seguro tocar el motor y el silenciador.
- Retire la suciedad del silenciador y del motor.

Constituye una infracción del artículo 4442 del California Public Resource Code (Código de recursos públicos de California) utilizar u operar el motor en las proximidades de terrenos boscosos o de rastrojos o que estén cubiertos de hierba a menos que el sistema de escape esté equipado con un dispositivo antichispas, tal y como se define en la Sección 4442, que además se mantenga en un buen estado de funcionamiento. Otros estados o jurisdicciones federales pueden tener leyes similares; consulte la Normativa federal CFR, título 36, Parte 261.52. Para obtener un supresor de chispas diseñado para el sistema de escape instalado en este motor, acuda al fabricante original del aparato o a un distribuidor.



ADVERTENCIA
Una chispa accidental del motor puede provocar una descarga eléctrica, un incendio o una explosión que pueden producir atrapamiento, amputación traumática o laceración.

Antes de efectuar ningún ajuste o reparación:

- Desconecte todos los cables de las bujías y manténgalos alejados de las bujías.
- Desconecte el cable de batería del terminal negativo (solo se aplica a motores con arranque eléctrico).
- Utilice solo las herramientas adecuadas.

Cuando compruebe las chispas:

- Use un probador de bujías aprobado.
- No revise la chispa si la bujía no está en su sitio.



ADVERTENCIA
Los vapores de combustible son inflamables y sus vapores son explosivos. Un incendio o una explosión podría provocar quemaduras o la muerte.

Si huele a gas

- No arranque el motor.
- No encienda ningún interruptor eléctrico.
- No use un teléfono cerca.
- Evacúe la zona.
- Póngase en contacto con el suministro de gas o con el servicio de bomberos.

Características y controles

Controles del motor









Compare las letras indicadas en las Figuras 1, 2, 3 y 4 con los controles del motor en la siguiente lista:

- Números de identificación del motor **Modelo - Tipo - Código**
- Bujía
- Depurador de aire (sin depósito de combustible)
- Depurador de aire (con depósito de combustible)
- Varilla
- Llenado de aceite
- Filtro de aceite (si está instalado)
- Tapón de drenaje de aceite
- Sensor de presión de aceite
- Protector de dedos
- Arranque eléctrico
- Arranque Retráctil (si está instalado)
- Carburador: modelos de carburador
- Silenciador
- Bomba de combustible
- Interruptor de arranque¹
- Control de aceleración¹
- Control del estrangulador¹

- S. Filtro de combustible (si está instalado)
- T. Depósito de combustible
- U. Cierre del combustible (si está instalado)¹
- V. Interruptor de parada (si está instalado)¹
- W. Enfriador de aceite (si está instalado)
- X. Módulo de la bomba de combustible: modelos EFI
- Y. Módulo de control electrónico: modelos EFI
- Z. Inyector de combustible: modelos EFI

¹ Algunos motores y equipos tienen controles remotos. Consulte el manual del equipo para conocer la ubicación y el funcionamiento de los mandos a distancia.

Símbolos de control del motor y su significado

 Velocidad del motor - RÁPIDO	 Velocidad del motor - DESPACIO
 Velocidad del motor - PARAR	 ENCENDIDO - APAGADO
 Arranque del motor Estárter CERRADO	 Arranque del motor Estárter ABIERTO
 Tapa del depósito de combustible Válvula de cierre de combustible - ABIERTA	 Válvula de cierre de combustible - CERRADA

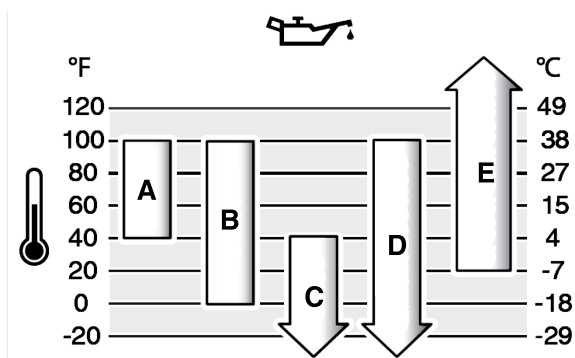
Funcionamiento

Recomendaciones sobre aceite

Capacidad de aceite: Consulte la sección **Especificaciones**.

Recomendamos el uso de aceites Briggs & Stratton® con garantía certificada para un mejor rendimiento. Están permitidos otros aceites detergentes de alta calidad si están clasificados para servicio SF, SG, SH, SJ o superior. No use aditivos especiales.

Use la tabla para seleccionar la mejor viscosidad para el margen de temperatura exterior que se espera. Los motores de la mayoría de equipos eléctricos de exterior funcionan bien con el aceite sintético 5W-30. Para el uso de equipos en temperaturas altas, el aceite sintético Vanguard® 15W-50 ofrece la mejor protección.



A	SAE 30: por debajo de los 40 °F (4 °C), el uso de SAE 30 provocará dificultades para arrancar.
B	10W-30: por encima de los 80 °F (27 °C), el uso de 10W-30 puede provocar un aumento en el consumo de aceite. Compruebe el nivel de aceite con frecuencia.
C	5W-30
D	Sintético 5W-30
E	Vanguard® sintético 15W-50

Verifique el nivel de aceite

Antes de comprobar el nivel de aceite o de añadir aceite

- Cerciérese de que la unidad esté nivelada.
- Limpie la suciedad que exista en el área de llenado del aceite.
- Consulte la sección **Especificaciones** para conocer la capacidad de aceite.

AVISO

Briggs & Stratton envía este producto sin aceite. Es posible que los fabricantes de equipo o los distribuidores hayan añadido aceite al motor. Antes de arrancar el motor por primera vez, asegúrese de que el nivel de aceite sea correcto. Añada aceite conforme a lo especificado en las instrucciones de este manual. Si arranca el motor sin aceite, quedará dañado sin opción a reparación y no estará cubierto por la garantía.

1. Saque la varilla indicadora de nivel de aceite (A, Figura 5) y límpiela con un trapo.
2. Coloque y apriete la varilla medidora de aceite (A, Figura 5).
3. Saque la varilla indicadora de nivel y compruebe el nivel del aceite. Compruebe que el nivel de aceite se encuentre en la parte superior de la señal indicadora de lleno (B, Figura 5) de la varilla.
4. Si el nivel del aceite está bajo, añada lentamente aceite por el orificio de llenado de aceite del motor (C, Figura 5). No agregue demasiado aceite.
5. Espere un minuto y revise el nivel de aceite nuevamente. Asegúrese de que el nivel de aceite sea correcto.
6. Coloque y apriete la varilla medidora de aceite (A, Figura 5).

Sistema de protección de aceite bajo (si está instalado)

Algunos motores tienen instalado un sensor de nivel bajo de aceite. Si el nivel de aceite está bajo, el detector mostrará una luz de advertencia o parará el motor. Pare el motor y realice estas operaciones antes de volver a arrancar el motor.

- Cerciérese de que la unidad esté nivelada.
- Compruebe el aceite. Consulte la sección **Comprobar nivel de aceite**.
- Si el nivel está bajo, añada la cantidad adecuada de aceite. Arranque el motor y asegúrese de que no se encienda la luz de advertencia (si está instalada).
- No arranque el motor si el nivel de aceite es demasiado bajo. Para corregir el problema del aceite, consulte a un distribuidor de servicio técnico autorizado de Briggs & Stratton.

Recomendaciones sobre combustible

El combustible debe cumplir estos requisitos:

- Gasolina limpia, fresca y sin plomo.
- Un mínimo de 87 octanos u 87 AKI (91 RON). Para usos en altitudes altas, véase abajo.
- Admite gasolina con hasta un 10 % de etanol (gasohol).

AVISO

No utilice gasolina no aprobada, como E15 y E85. No haga mezclas de aceite y gasolina ni realice modificaciones en el motor para hacerlo funcionar con combustibles alternativos. El uso de combustibles no aprobados provocará daños en los componentes del motor, lo que no está cubierto por la garantía.

Para proteger el sistema de combustible de la formación de goma y la corrosión, mezcle un estabilizador de combustible sin alcohol y un tratamiento con etanol en el combustible. Consulte la sección **Almacenamiento**. No todos los combustibles son iguales. Si se producen problemas de arranque o de rendimiento, cambie el proveedor o la marca del combustible. Este motor está certificado para funcionar con gasolina. El sistema de control de emisiones para motores carburados es EM (Modificaciones del motor). Los sistemas de control de emisiones para motores con inyección electrónica de combustible son ECM (Módulo de control del motor), MFI (Inyección de combustible multipuerto), TBI (Inyección de combustible del cuerpo del acelerador) y, si está equipado, un O2S (Sensor de oxígeno).

Gran altura

A altitudes superiores a los 5000 pies (1524 metros), es aceptable usar gasolina con un mínimo de 85 octanos/85 AKI (89 RON).

Para motores carburados, se requiere realizar el ajuste de gran altura para mantener el rendimiento. Sin este ajuste, el generador perderá rendimiento y aumentarán el consumo de combustible y las emisiones. Póngase en contacto con un Distribuidor de Servicio Autorizado por Briggs & Stratton para obtener información sobre el ajuste de gran altura. No se recomienda hacer funcionar el motor con el ajuste para grandes alturas a altitudes inferiores a los 762 metros (2.500 pies).

Para motores de inyección electrónica de combustible (EFI, por sus siglas en inglés), no es necesario realizar ningún ajuste de gran altura.

Adición de combustible



ADVERTENCIA

El combustible y sus vapores son extremadamente inflamables y explosivos. Un incendio o una explosión podría provocar quemaduras o la muerte.

Cuando añada combustible

- Pare el motor. Antes de quitar el tapón de combustible, espere un mínimo de dos (2) minutos para asegurarse de que el motor se haya enfriado.
 - Rellene el depósito de combustible al aire libre, en un área con buena ventilación.
 - No eche demasiado combustible en el depósito. Para permitir que el combustible se expanda, no llene el depósito por encima de la parte inferior del cuello del depósito de combustible.
 - Mantenga el combustible alejado de chispas, llamas abiertas, pilotos, calor y otras fuentes de ignición.
 - Compruebe con frecuencia las mangueras de combustible, el depósito de combustible, el tapón de combustible y las conexiones por si presentaran grietas o hubiera fugas. Sustituya las piezas dañadas.
 - Si se derrama combustible, espere hasta que se seque para arrancar el motor.
1. Limpie la suciedad y los desechos en el área de la tapa de llenado de combustible. Retire la tapa del combustible.
 2. Llene de combustible (A, Figura 6) el depósito de combustible. Puesto que la gasolina se expande, no llene el depósito por encima de la parte inferior del cuello del depósito de combustible (B).
 3. Coloque la tapa de llenado de combustible.

Arranque el motor



ADVERTENCIA

Una chispa accidental del motor puede provocar una descarga eléctrica, un incendio o una explosión que pueden producir atrapamiento, amputación traumática o laceración.

Antes de efectuar ningún ajuste o reparación:

- Desconecte todos los cables de las bujías y manténgalos alejados de las bujías.
- Desconecte el cable de batería del terminal negativo (solo se aplica a motores con arranque eléctrico).
- Utilice solo las herramientas adecuadas.

Cuando compruebe las chispas:

- Use un probador de bujías aprobado.
- No revise la chispa si la bujía no está en su sitio.



ADVERTENCIA

La retracción rápida o el cable del estérter (Kickback) llevan la mano y el brazo hacia el motor más rápido de lo que usted puede controlar. Puede romperse los huesos y sufrir moratones o esguinces.

- Cuando arranque el motor, tire lentamente del cable de arranque hasta que sienta resistencia y empuje rápidamente para evitar el retroceso rápido.
- Desmonte o desconecte todo el equipo externo/cargas del motor antes de arrancar el motor.
- Los componentes del equipo de acoplamiento directo como (entre otros) cuchillas, impulsores, poleas, ruedas dentadas, etc., deben estar bien fijados.



ADVERTENCIA

PELIGRO DE GAS TÓXICO. Los gases de escape del motor contienen monóxido de carbono, un gas tóxico que puede matar en cuestión de minutos. Aunque no pueda oler los gases de escape, podría estar expuesto a monóxido de carbono. Si comienza a sentirse mal, mareado o débil cuando use este producto, apáguelo y busque aire fresco INMEDIATAMENTE. Viste a un médico. Es posible que se haya intoxicado con monóxido de carbono.

- En los espacios ocupados puede acumularse gas de monóxido de carbono. Utilice este producto EXCLUSIVAMENTE en el exterior, lejos de puertas, ventanas y respiraderos, a fin de reducir el riesgo de que el monóxido de carbono.
- Instale alarmas de monóxido de carbono que funcionen con baterías o alarmas de monóxido de carbono enchufables con batería de seguridad de acuerdo con las instrucciones del fabricante. Las alarmas de incendios no pueden detectar gas de monóxido de carbono.
- NO utilice este producto dentro de casas, garajes, sótanos, cámaras, galpones u otros espacios parcialmente cerrados incluso si está usando ventiladores o las puertas y ventanas están abiertas para ventilación. Después de haber utilizado este producto, puede acumularse rápidamente monóxido de carbono en estos espacios y permanecer allí durante horas.
- Coloque SIEMPRE este producto a favor del viento y dirija el escape del motor alejado de espacios ocupados.

AVISO

Briggs & Stratton envía este producto sin aceite. Es posible que los fabricantes de equipo o los distribuidores hayan añadido aceite al motor. Antes de arrancar el motor por primera vez, asegúrese de que el nivel de aceite sea correcto. Añada aceite conforme a lo especificado en las instrucciones de este manual. Si arranca el motor sin aceite, quedará dañado sin opción a reparación y no estará cubierto por la garantía.

NOTA: Su equipo podría contar con controles remotos. Consulte el manual del equipo para conocer la ubicación y el funcionamiento de los controles remotos.

Tipos de sistemas de arranque

Antes de arrancar el motor, debe determinar el tipo de sistema de arranque de su motor. Su motor tiene uno de estos tipos de sistemas.

- **Sistema de inyección electrónica de combustible (EFI):** Un sistema EFI no tiene estrangulador ni cebador.
- **Sistema electrónico de control del combustible:** Un sistema de administración electrónica de combustible tiene una unidad de control electrónico que monitoriza las condiciones del motor y la temperatura. No dispone de un estrangulador manual ni un cebador.
- **Sistema de estrangulamiento:** Este tipo de sistema tiene un estrangulador para usarse en temperaturas frías. Algunos modelos tienen un control de estrangulador separado, pero algunos tienen una combinación de estrangulador y estrangulador del acelerador. Este tipo no tiene cebador.

Sistema de inyección electrónica de combustible (EFI)

1. Compruebe el aceite del motor. Consulte la sección **Comprobar nivel de aceite**.
2. Asegúrese de que los controles de la unidad del equipo, si se proporcionan, están desconectados.
3. Ponga la válvula de cierre de combustible (A, Figura 7), si llevara, en posición ABIERTA.
4. Ponga el interruptor de parada (F, Figuras 7, 8), si lo hubiera, en posición ENCENDIDO.
5. Mueva el control de aceleración (B, Figura 8), si llevara, a la posición RÁPIDO. Haga funcionar el motor en posición rápido, RÁPIDO.
6. **Arranque con rebobinado, si hubiera una llave de encendido:** Gire la llave de encendido (D, Figuras 7, 8) a la posición ENCENDIDO.
7. **Arranque retráctil, si llevara:** Sostenga firmemente la manija del cable del estérter (E, Figuras 7, 8). Tire de la manija del cable del estérter lentamente hasta que sienta resistencia, y luego, tire rápidamente.



ADVERTENCIA

La retracción rápida del cable del estérter (retroceso) tirará de su mano y brazo hacia el motor más rápido de lo que imagina. Puede romperse algún hueso, provocar moratones o esguinces. Cuando arranque el motor, tire lentamente del cable de arranque hasta que sienta resistencia y empuje rápidamente para evitar el retroceso rápido.

8. **Arranque eléctrico, si está equipado:** Ponga el interruptor de arranque eléctrico (D, Figuras 7, 8) en la posición ENCENDIDO o ARRANCAR.

AVISO Para prolongar la vida del estérter, utilice ciclos de arranque cortos (máximo de cinco segundos). Espere un minuto entre ciclos de arranque.

Si el motor no arranca después de 3 o 4 intentos, póngase en contacto con su distribuidor, o vaya a vanguardpower.com o llame a 1-800-999-9333.

Sistema electrónico de control del combustible

1. Compruebe el aceite del motor. Consulte la sección **Comprobar nivel de aceite**.
2. Asegúrese de que los controles de la unidad del equipo, si se proporcionan, están desconectados.
3. Ponga la válvula de cierre de combustible (A, Figura 7), si llevara, en posición ABIERTA.
4. Ponga el interruptor de parada (F, Figuras 7, 8), si lo hubiera, en posición ENCENDIDO.
5. Mueva el control de aceleración (B, Figura 8), si llevara, a la posición RÁPIDO. Haga funcionar el motor en posición rápido, RÁPIDO.
6. **Arranque con rebobinado, si hubiera una llave de encendido:** Gire la llave de encendido (D, Figuras 7, 8) a la posición ENCENDIDO.
7. **Arranque retráctil, si llevara:** Sostenga firmemente la manija del cable del estérter (E, Figuras 7, 8). Tire de la manija del cable del estérter lentamente hasta que sienta resistencia, y luego, tire rápidamente.



ADVERTENCIA

La retracción rápida del cable del estérter (retroceso) tirará de su mano y brazo hacia el motor más rápido de lo que imagina. Puede romperse algún hueso, provocar moratones o esguinces. Cuando arranque el motor, tire lentamente del cable de arranque hasta que sienta resistencia y empuje rápidamente para evitar el retroceso rápido.

8. **Arranque eléctrico, si está equipado:** Ponga el interruptor de arranque eléctrico (D, Figuras 7, 8) en la posición ENCENDIDO o ARRANCAR.

AVISO Para prolongar la vida del estérter, utilice ciclos de arranque cortos (máximo de cinco segundos). Espere un minuto entre ciclos de arranque.

Si el motor no arranca después de 3 o 4 intentos, póngase en contacto con su distribuidor, o vaya a vanguardpower.com o llame a 1-800-999-9333.

Sistema del estrangulador

1. Compruebe el aceite del motor. Consulte la sección **Revisar y añadir aceite**.
2. Asegúrese de que los controles de la unidad del equipo, si se proporcionan, están desconectados.
3. Ponga la válvula de cierre de combustible (A, Figura 7), si llevara, en posición ABIERTA.
4. Ponga el interruptor de parada (F, Figuras 7, 8), si lo hubiera, en posición ENCENDIDO.
5. Mueva el control del acelerador (B, Figura 7), si lo hubiera, a la posición RÁPIDO. Haga funcionar el motor en posición rápido, RÁPIDO.
6. Mueva el control del estrangulador (C, Figuras 9, 10) a la posición CERRADO.

NOTA: Normalmente no es necesario estrangular el motor cuando se vuelve a arrancar un motor caliente.

7. **Arranque con rebobinado, si hubiera una llave de encendido:** Gire la llave de encendido (D, Figuras 7, 8) a la posición ENCENDIDO.
8. **Arranque retráctil, si llevara:** Sostenga firmemente la manija del cable del estérter (E, Figuras 7, 8). Tire de la manija del cable del estérter (E) lentamente hasta que sienta resistencia, y luego, tire rápidamente.



ADVERTENCIA

La retracción rápida del cable del estérter (retroceso) tirará de su mano y brazo hacia el motor más rápido de lo que imagina. Puede romperse algún hueso, provocar moratones o esguinces. Cuando arranque el motor, tire lentamente del cable de arranque hasta que sienta resistencia y empuje rápidamente para evitar el retroceso rápido.

9. **Arranque eléctrico, si lo hubiera:** ponga la llave de encendido (D, Figuras 7, 8) en la posición ENCENDIDO o ARRANCAR.

AVISO

Para prolongar la vida del estérter, utilice ciclos de arranque cortos (máximo de cinco segundos). Espere un minuto entre ciclos de arranque.

10. Al ir calentándose el motor, mueva el control del estrangulador (C, Figuras 9, 10) a la posición ABIERTO.

NOTA: Si el motor no arranca después de 2-3 intentos, póngase en contacto con su distribuidor, vaya a vanguardpower.com o llame al 1-800-999-9333.

Detenga el motor



ADVERTENCIA

El combustible y sus vapores son extremadamente inflamables y explosivos. Un incendio o una explosión podría provocar quemaduras o la muerte.

- No cebe el carburador (si se incluye) para detener el motor.

1. **Interruptor de parada, si dispone de él:** Ponga el interruptor de paro (F, Figura 11) en posición APAGADO.
2. **Interruptor de llave, si llevara:** Con el control del acelerador, si llevara, en posición DESPACIO, gire la llave de encendido (D, Figura 11) hasta la posición APAGADO. Saque la llave y guárdela en un lugar seguro lejos del alcance de los niños.
3. Una vez parado el motor, ponga la válvula de cierre del combustible (A, Figura 11), si llevara, en posición CERRADO.

Mantenimiento

Información de mantenimiento



ADVERTENCIA

El combustible y sus vapores son extremadamente inflamables y explosivos. Un incendio o una explosión podría provocar quemaduras o la muerte.

Si, durante las tareas de mantenimiento es necesario inclinar la unidad, asegúrese de que el depósito de combustible, si va montado en el motor, esté vacío y de que la bujía esté boca arriba. Si el depósito de combustible no está vacío, podría haber una fuga de combustible y provocar un incendio o una explosión. Si el motor se inclina en una dirección distinta, experimentará dificultades para arrancar debido a la contaminación por aceite o por combustible del filtro de aire o de la bujía.



ADVERTENCIA

Una chispa accidental del motor puede provocar una descarga eléctrica, un incendio o una explosión que pueden producir atrapamiento, amputación traumática o laceración.

Antes de efectuar ningún ajuste o reparación:

- Desconecte todos los cables de las bujías y manténgalos alejados de las bujías.
- Desconecte el cable de batería del terminal negativo (solo se aplica a motores con arranque eléctrico).
- Utilice solo las herramientas adecuadas.

Cuando compruebe las chispas:

- Use un probador de bujías aprobado.
- No revise la chispa si la bujía no está en su sitio.



ADVERTENCIA

Las piezas de reemplazo deben ser del mismo modelo e instalarse en la misma posición que las piezas originales. Otras piezas podrían sufrir daños.

AVISO

Todos los componentes utilizados para la fabricación de este motor deben estar montados para un funcionamiento correcto.

Consulte con un distribuidor de servicio técnico autorizado Briggs & Stratton para todas las operaciones de mantenimiento y servicio del motor y de sus piezas.

Servicio de control de emisiones

Para servicio de mantenimiento, sustitución o reparación de dispositivos y sistemas de control de emisiones, póngase en contacto con un taller de reparaciones o un servicio técnico de motores fuera de carretera cualificado. Sin embargo, si necesita un servicio de control de emisiones "sin coste", debe recurrir a un distribuidor autorizado de fábrica. Consulte la garantía del control de emisiones.

Programa de mantenimiento

Intervalos de 8 horas o diario

- Compruebe el nivel de aceite del motor.
- Limpiar el área alrededor del silenciador y los controles.

Intervalos de 100 horas o anualmente

- Cambie las bujías.
- Cambie el aceite del motor.
- Reemplazar el filtro de aceite (si está instalado).
- Mantener el filtro de aire ¹.
- Limpiar el prefiltro (si está instalado) ¹.
- Realice el mantenimiento del sistema de escape.

Intervalos de 250 horas o anualmente

- Comprobar la holgura de las válvulas. Ajústela si es necesario.

Intervalos de 400 horas o anualmente

- Cambie el filtro de aire.
- Cambie el filtro de combustible.
- Realice el mantenimiento del sistema de aire refrigerado ¹.
- Limpiar las aletas del refrigerador de aceite ¹.

¹ Limpiar con más frecuencia en condiciones de mucho polvo o cuando haya muchas partículas en el aire.

Sistema de inyección electrónica de combustible (EFI)

El sistema EFI monitoriza la temperatura y la velocidad del motor y el voltaje de la batería para el arranque y el calentamiento del motor. No se realizan ajustes en el sistema. Si se producen problemas de arranque o de funcionamiento, contacte con un distribuidor de servicio técnico autorizado de Briggs & Stratton.

AVISO Asegúrese de seguir los pasos que se indican a continuación o podrían producirse daños en el sistema EFI.

- NO arranque el motor si los cables de la batería están flojos.
- Ponga la llave en posición de APAGADO antes de desconectar, desmontar y/o instalar la batería.
- NO use nunca un cargador de batería para arrancar el motor.
- NO desconecte los cables de la batería durante el funcionamiento del motor.
- Cuando conecte los cables de la batería, conecte primero el borne positivo (+) y después el negativo (-) a la batería.
- Cuando cargue la batería, APAGUE el interruptor de encendido y desconecte el borne negativo (-) de la misma.
- NO pulverice agua directamente sobre el Módulo de control electrónico.

Sistema electrónico de control del combustible

El sistema de Gestión Electrónica del Combustible monitoriza la temperatura y la velocidad del motor y el voltaje de la batería para ajustar el estrangulamiento durante el arranque y el calentamiento del motor. No se realizan ajustes en el sistema. Si se producen problemas de arranque o de funcionamiento, hable con un distribuidor de servicio técnico autorizado de Briggs & Stratton.

AVISO Asegúrese de seguir estas reglas o el Sistema electrónico de administración de combustible podría dañarse.

- NO arranque el motor si los cables de la batería están flojos.
- Antes de conectar los cables auxiliares de arranque, o desconectar o volver a conectar los cables de la batería, coloque el interruptor de encendido en la posición APAGAR. Cuando cargue la batería, gire el interruptor de encendido a la posición APAGAR.
- Cuando desconecte los cables de la batería, desconecte el cable negativo (-) y luego desconecte el cable positivo (+) de la batería. Cuando conecte los cables de la batería, conecte el cable positivo (+) y después el negativo (-) a la batería.
- NO use nunca un cargador de batería para arrancar el motor.
- NO desconecte los cables de la batería durante el funcionamiento del motor.
- NO pulverice agua directamente sobre la Unidad de Control Electrónico.

Carburador y velocidad del motor

No realice ajustes en el carburador, el resorte del regulador, las conexiones u otras piezas para ajustar la velocidad del motor. Si necesitara algún ajuste, contacte con un distribuidor de servicio técnico autorizado de Briggs & Stratton para el servicio.

AVISO

El fabricante del equipo especifica la velocidad máxima del motor instalado en el equipo. No supere esta velocidad. Si no sabe cuál es la velocidad máxima del motor, o cómo se ha ajustado esta en fábrica, contacte con un distribuidor de servicio técnico autorizado de Briggs & Stratton para solicitar ayuda. Para un funcionamiento seguro y correcto el equipo, la velocidad del motor debe ser ajustada solo por un técnico de servicio cualificado.

Mantenimiento de la bujía

Compruebe la separación de las bujías (A, Figura 12) con un calibrador (B). Si fuera necesario, reajuste la separación de las bujías. Monte la bujía y apriétela al par correcto. Para información sobre el par de apriete, consulte la sección **Especificaciones**.

Mantenimiento del sistema de escape



ADVERTENCIA Durante el funcionamiento, el motor y el silenciador se calientan. Si toca un motor caliente, puede sufrir quemaduras por calor.

Los restos combustibles, tales como hojas, hierba, maleza, etc., pueden incendiarse.

- Antes de tocar el motor o el silenciador, detenga el motor y espere dos (2) minutos. Compruebe que sea seguro tocar el motor y el silenciador.
- Retire la suciedad del silenciador y del motor.

Constituye una infracción del artículo 4442 del California Public Resource Code (Código de recursos públicos de California) utilizar u operar el motor en las proximidades de terrenos boscosos o de rastrojos o que estén cubiertos de hierba a menos que el sistema de escape esté equipado con un dispositivo antichispas, tal y como se define en la Sección 4442, que además se mantenga en un buen estado de funcionamiento. Otros estados o jurisdicciones federales pueden tener leyes similares; consulte la Normativa federal CFR, título 36, Parte 261.52. Para obtener un supresor de chispas diseñado para el sistema de escape instalado en este motor, acuda al fabricante original del aparato o a un distribuidor.

Retire toda la suciedad del área del silenciador y del área del cilindro. Inspeccione el silenciador por si presenta fisuras, corrosión u otros daños. Retire la pantalla antichispas, si está instalada, e inspeccione si presenta daños o acumula carbonilla. Si están dañados, monte los repuestos antes de poner en funcionamiento la unidad.



ADVERTENCIA Las piezas de reemplazo deben ser del mismo modelo e instalarse en la misma posición que las piezas originales. Otras piezas podrían sufrir daños.

Cambio del aceite del motor



ADVERTENCIA El combustible y sus vapores son extremadamente inflamables y explosivos. Un incendio o una explosión podría provocar quemaduras o la muerte.

Durante el funcionamiento, el motor y el silenciador se calientan. Si toca un motor caliente, puede sufrir quemaduras por calor.

- Si vacía el aceite desde el tubo de llenado de aceite superior, el depósito de combustible debe estar vacío. De lo contrario, podría haber una fuga de combustible y provocar un incendio o una explosión.
- Antes de tocar el motor o el silenciador, detenga el motor y espere dos (2) minutos. Compruebe que sea seguro tocar el motor y el silenciador.

El aceite usado es un producto de desecho peligroso y debe eliminarse de un modo correcto. No lo tire a un cubo de residuos domésticos. Para la eliminación/reciclaje de estos residuos, pregunte a las autoridades locales, a un centro de mantenimiento o a un distribuidor dónde existen instalaciones.

Extracción del aceite

1. Con el motor APAGADO pero caliente, desconecte el o los cables de las bujías (D, Figura 13) y manténgalos alejados de las bujías (E).
2. Saque la varilla medidora (A, Figuras 14 y 15).
3. Quite el tapón de drenado del aceite (F, Figuras 16 y 17). Drene el aceite en un recipiente aprobado para este fin.
4. Ponga el tapón de drenaje de aceite y apriételo (F, Figuras 16 y 17).

Cambiar el filtro de aceite, si está instalado

1. Drene el aceite del motor. Consulte la sección **Extracción del aceite**.
2. Extraiga el filtro de aceite (G, Figuras 18 y 19) y deséchelo empleando el método adecuado.
3. Antes de instalar el nuevo filtro de aceite, lubrique ligeramente la junta del filtro de aceite con aceite limpio.
4. Instale el filtro de aceite a mano hasta que la junta entre en contacto con el adaptador del filtro de aceite y luego, apriete el filtro de aceite con media vuelta o tres cuartos de vuelta.
5. Agregue aceite. Consulte la sección **Añadir aceite**.

- Arranque y haga funcionar el motor. Cuando el motor se caliente, revise si hay fugas de aceite.
- Detenga el motor. Compruebe que el nivel de aceite se encuentre en la parte superior de la señal indicadora de lleno de la varilla medidora. Consulte la sección **Añadir aceite**.

Adición de aceite

- Cerciórese de que el motor esté nivelado.
 - Limpie toda la suciedad que exista en el área de llenado del aceite.
 - Consulte la sección **Especificaciones** para conocer la capacidad de aceite.
- Saque la varilla medidora (A, Figuras 20 y 21). Utilice un paño limpio para eliminar el aceite de la varilla.
 - Añada lentamente aceite por el orificio de llenado de aceite del motor (C, Figuras 20 y 21). **No llene el depósito en exceso.** Espere un minuto y luego revise el nivel de aceite nuevamente.
 - Coloque y apriete la varilla medidora (A, Figuras 20 y 21).
 - Saque la varilla indicadora de nivel y compruebe el nivel del aceite. El nivel de aceite correcto se indica en la parte superior de la señal indicadora de lleno (B, Figuras 20 y 21) de la varilla medidora.
 - Coloque y apriete la varilla medidora (A, Figuras 20 y 21).
 - Conecte el o los cables (D, Figura 20) a las bujías.

Mantenimiento del filtro de aire

ADVERTENCIA



Los vapores de combustible son inflamables y sus vapores son explosivos. Un incendio o una explosión podría provocar quemaduras o la muerte.

- Nunca arranque y ponga en marcha el motor si se ha extraído el conjunto del filtro de aire (si se incluye), o se ha extraído el filtro de aire (si se incluye).

AVISO

No utilice aire a presión ni disolventes para limpiar el filtro. El aire a presión puede dañar el filtro y los disolventes disolverán el filtro.

Consulte la sección **Programa de mantenimiento** para ver los requisitos de mantenimiento.

Algunos modelos tienen un prefiltro opcional que se puede lavar y volver a utilizar. Compare las ilustraciones de este manual con el tipo instalado en su motor.

- Modelos sin depósito de combustible:** Abra el o los cierres (A, Figura 22) y saque la tapa (B).
- Modelos con depósito de combustible:** Quite el o los cierres (C, Figura 23) y la tapa (D).
- Quite la tuerca (D, Figuras 22, 23) y el retén (E).
- Saque el filtro de aire (F, Figuras 22, 23).
- Saque el prefiltro (G, Figuras 22, 23), si lo hubiera, del filtro de aire (F).
- Para quitar en lo posible la suciedad, golpee suavemente el filtro (F, Figuras 22, 23) contra una superficie dura. Si el filtro de aire está sucio, reemplácelo por uno nuevo.
- Limpie el prefiltro (G, Figuras 22, 23), si lo hubiera, con detergente líquido y agua. Deje secar el prefiltro completamente al aire. **NO** lubrique el prefiltro.
- Monte el prefiltro seco (G, Figuras 22, 23), si lo hubiera, en el filtro de aire (F).
- Monte el filtro de aire (F, Figuras 22, 23) y asegúrelo con el retén (E) y la tuerca (D).
- Instale la cubierta (B, Figuras 22, 23).

Mantenimiento del sistema de combustible

ADVERTENCIA



El combustible y sus vapores son extremadamente inflamables y explosivos. Un incendio o una explosión podría provocar quemaduras o la muerte.

- Mantenga el combustible alejado de chispas, llamas abiertas, pilotos, calor y otras fuentes de ignición.
- Compruebe con frecuencia las mangueras de combustible, el depósito de combustible, el tapón de combustible y las conexiones por si presentaran grietas o hubiera fugas. Sustituya las piezas dañadas.
- Si se derrama combustible, espere hasta que se seque para arrancar el motor.

Filtro de combustible, si está instalado

- Antes de cambiar el filtro de combustible (A, Figura 24), drene el depósito de combustible o cierre la válvula de corte de combustible. Si no se vacía el depósito de combustible podrían producirse fugas de combustible y provocar un incendio o una explosión.

- Con unos alicates, sujete fuerte las lengüetas (B, Figura 24) de las abrazaderas (C). Aleje las abrazaderas del filtro de combustible (A).
- Gire y saque las mangueras de combustible (D, Figura 24) del filtro.
- Revise las líneas de combustible (D, Figura 24) para comprobar si hay grietas o fugas. Si es necesario, reemplace las líneas de combustible.
- Cambie el filtro de combustible (A, Figura 24).
- Conecte las líneas de combustible (D, Figura 24) con abrazaderas (C).

Mantenimiento del sistema de refrigeración

ADVERTENCIA



Durante el funcionamiento, el motor y el silenciador se calientan. Si toca un motor caliente, puede sufrir quemaduras por calor.

Los restos combustibles, tales como hojas, hierba o maleza pueden incendiarse.

- Antes de tocar el motor o el silenciador, detenga el motor y espere dos (2) minutos. Compruebe que sea seguro tocar el motor y el silenciador.
- Retire la suciedad del silenciador y del motor.

AVISO

No utilice agua para limpiar el motor. El agua puede contaminar el sistema de combustible. Utilice un cepillo o un paño seco para limpiar el motor.

Se trata de un motor refrigerado por aire. La suciedad o los residuos pueden restringir el flujo de aire y provocar el sobrecalentamiento del motor, reduciendo su rendimiento y acortando su vida útil.

- Utilice un cepillo o un paño seco para eliminar los restos de suciedad de la rejilla de la toma de aire.
- Mantenga la conexión, los resortes y los controles limpios.
- Mantenga el área alrededor del silenciador y detrás, si está equipado, de él libre de residuos combustibles.
- Asegúrese de que las aletas de refrigeración de aceite, si se incluyen, estén limpias.

Transcurrido un periodo de tiempo, los residuos pueden acumularse en las aletas de refrigeración del cilindro y hacer que el motor se sobrecaliente. Estos residuos no se pueden eliminar sin desmontar el motor de manera parcial. Pida a un distribuidor de servicio técnico autorizado de Briggs & Stratton que revise y limpie el sistema de refrigeración por aire tal como se recomienda en el **Programa de mantenimiento**.

Almacenaje

Sistema de combustible

Consulte la figura:25.

ADVERTENCIA



El combustible y sus vapores son extremadamente inflamables y explosivos. Un incendio o una explosión podría provocar quemaduras o la muerte.

Almacenamiento de combustible

- Almacene el combustible o el equipo lejos de hornos, estufas, calentadores de agua u otros aparatos que utilicen luces piloto u otras fuentes de encendido, ya que estos pueden encender los vapores de gasolina.

Mantenga el nivel del motor (posición de funcionamiento normal). Llene de combustible (A, Figura 25) el depósito de combustible. Para permitir que el combustible se expanda, no llene el depósito por encima de la parte inferior del cuello del depósito de combustible (B).

El combustible puede echarse a perder si se mantiene en un recipiente de almacenamiento durante más de 30 días. Se recomienda el uso de un estabilizador de combustible sin alcohol y un tratamiento con etanol en el recipiente de almacenamiento de combustible para evitar la degradación del combustible y mantenerlo fresco.

Cuando llene el recipiente de combustible con combustible, agregue un estabilizador de combustible sin alcohol, como se especifica en las instrucciones del fabricante. Si la gasolina en el motor no ha sido tratada con un estabilizador de combustible, debe drenarse en un recipiente aprobado. Use el motor hasta que se termine el combustible.

Aceite del motor

Con el motor aún caliente, cambie el aceite del motor. Consulte la sección **Cambio de aceite del motor**.

Solución de problemas

Ayuda

Si necesita ayuda, póngase en contacto con su concesionario local, acceda a **BRIGGSandSTRATTON.COM** o llame al **1-800-444-7774** (en EE. UU).

Especificaciones

Piezas de repuesto y especificaciones

MODELOS: 290000, 300000	
Cilindrada	29.23 ci (479 cc)
Diámetro	2.677 pulg (68 mm)
Carrera	2.598 pulg (66 mm)
Capacidad de aceite	46 - 48 onzas (1,36 - 1,42 l)
Separación de bujías	.030 pulg (.76 mm)
Torsión de la bujía	180 lb-pulg (20 Nm)
Separación del inducido: modelos de carburador	.008 - .012 pulg (.20 - .30 mm)
Holgura de la válvula de admisión	.004 - .006 pulg (.10 - .15 mm)
Holgura de la válvula de escape	.004 - .006 pulg (.10 - .15 mm)

MODELO: 350000	
Cilindrada	34.78 ci (570 cc)
Diámetro	2.835 pulg (72 mm)
Carrera	2.756 pulg (70 mm)
Capacidad de aceite	46 - 48 onzas (1,36 - 1,42 l)
Separación de bujías	.030 pulg (.76 mm)
Torsión de la bujía	180 lb-pulg (20 Nm)
Separación del inducido: modelos de carburador	.008 - .012 pulg (.20 - .30 mm)
Holgura de la válvula de admisión	.004 - .006 pulg (.10 - .15 mm)
Holgura de la válvula de escape	.004 - .006 pulg (.10 - .15 mm)

MODELO: 380000	
Cilindrada	38.26 ci (627 cc)
Diámetro	2.972 pulg (75,5 mm)
Carrera	2.756 pulg (70 mm)
Capacidad de aceite	46 - 48 onzas (1,36 - 1,42 l)
Separación de bujías	.030 pulg (.76 mm)
Torsión de la bujía	180 lb-pulg (20 Nm)
Separación del inducido - Modelos de carburador	.008 - .012 pulg (.20 - .30 mm)
Holgura de la válvula de admisión	.004 - .006 pulg (.10 - .15 mm)
Holgura de la válvula de escape	.004 - .006 pulg (.10 - .15 mm)

La potencia del motor disminuirá un 3,5 % cada 300 metros (1000 pies) sobre el nivel del mar y 1 % cada 5,6 °C (10 °F) por encima de 25 °C (77 °F). El motor funcionará satisfactoriamente en un ángulo de hasta 15°. Consulte el manual del operario del equipo para conocer los límites de funcionamiento permisibles en pendientes.

Modelos: 290000, 300000, 350000, 380000	
Pieza de servicio	Número de pieza
Filtro de aire (con depósito de combustible, Figura 23)	383857
Filtro de aire (excepto Modelo 380000, Figura 22)	394018
Filtro de aire (Modelo 380000, 22)	692519
Filtro de aire, prefiltro (con depósito de combustible, Figura 23)	271794
Filtro de aire, prefiltro (excepto Modelo 380000, Figura 22)	272490
Filtro de aire, prefiltro (Modelo 380000, Figura 22)	692520
Aceite - SAE 30	100028
Filtro de aceite	842921
Filtro de combustible (con depósito de combustible)	808116
Filtro de combustible (con bomba de combustible)	845125
Filtro de combustible (sin bomba de combustible)	298090
Bujía de resistencia	491055S
Bujía de platino de larga duración	696202, 5066K
Llave de la bujía	19576S

Modelos: 290000, 300000, 350000, 380000

Comprobador de chispa	84003327
-----------------------	----------

Se recomienda consultar con un distribuidor autorizado de Briggs & Stratton para realizar todo el mantenimiento y el servicio del motor y de sus piezas.

Clasificación de la potencia del motor

La clasificación de potencia bruta para modelos de motor de gasolina individual está etiquetada de acuerdo con el código J1940 (Small Engine Power & Torque Rating Procedure) de la SAE (Society of Automotive Engineers), y está clasificada de conformidad con el código SAE J1995. Los valores de torsión se obtienen a 2600 RPM en los motores que indican "rpm" en la etiqueta y a 3060 RPM en los otros; los valores de potencia en caballos de fuerza se obtienen a 3600 RPM. Las curvas de potencia bruta se pueden ver en www.BRIGGSandSTRATTON.COM. Los valores de potencia neta se obtienen con un filtro de aire y escape instalado, mientras que los valores de potencia bruta se recopilan sin estos accesorios. La potencia bruta real del motor es superior a la neta y depende, entre otros factores, de las condiciones ambientales de uso y de las variaciones entre distintos motores del mismo modelo. Dada la amplia gama de productos donde se instalan los motores, es posible que el motor de gasolina no desarrolle la potencia bruta nominal cuando se utiliza en un equipo motorizado determinado. Esta diferencia se debe, entre otros factores, a: accesorios (filtro de aire, escape, carga, refrigeración, carburador, bomba de combustible, etc.), limitaciones de la aplicación, condiciones ambientales de uso (temperatura, humedad, altitud) y variaciones entre distintos motores de un mismo modelo. A causa de las limitaciones de fabricación y de capacidad, Briggs & Stratton podrá sustituir este motor por un motor con mayor clasificación de potencia.

Garantía

Garantía de los motores Briggs & Stratton®

A partir de agosto de 2022

Garantía Limitada

Briggs & Stratton garantiza que, durante el periodo de garantía especificado a continuación, reparará o reemplazará, sin cargo, por una pieza nueva, reacondicionada o reconstruida, según el criterio único de Briggs & Stratton, cualquier pieza defectuosa en cuanto a materiales, mano de obra o ambos. El comprador será responsable de pagar los cargos de transporte relativos a los productos enviados para reparación o sustitución según esta garantía. Esta garantía se mantiene vigente durante los periodos de tiempo indicados a continuación y está sujeta a dichos periodos y a las condiciones que se indican a continuación. Para recibir servicio de garantía, localice al distribuidor de servicio técnico autorizado más cercano en nuestro mapa de localización de distribuidores en BRIGGSandSTRATTON.COM. El comprador debe ponerse en contacto con el distribuidor de servicio autorizado y hacerle llegar el producto para que lo inspeccione y lo pruebe.

No existe otra garantía expresa. Las garantías implícitas, inclusive aquellas de comerciabilidad y de idoneidad para un propósito en particular se limitan a un año a partir de la fecha de compra o hasta los límites permitidos por la ley. Quedan excluidas todas y cualesquiera garantías implícitas. La responsabilidad por daños accidentales o emergentes queda excluida en la medida en que ello venga permitido conforme a derecho. Algunos estados o países no contemplan limitaciones en cuanto a la duración de una garantía implícita y otros estados o países no permiten la exclusión o limitación de daños indirectos o incidentales, en cuyo caso la limitación y la exclusión anteriores puede que no se apliquen en su caso. Esta garantía le otorga derechos legales específicos; también podría tener otros derechos que varían según el estado o el país.

Términos de la garantía estándar ^{1, 2}

Vanguard®; Commercial Series

Uso del consumidor: 36 meses

Uso comercial: 36 meses

Serie XR

Uso del consumidor: 24 meses

Uso comercial: 24 meses

Todos los demás motores con camisa de cilindro de fundición Dura-Bore™

Uso del consumidor: 24 meses

Uso comercial: 12 meses

Todos los demás motores

Uso del consumidor: 24 meses

Uso comercial: 3 meses

¹ Estos son los términos de nuestra garantía estándar, pero en algunos casos puede haber cobertura de garantía adicional no determinada en el momento de la publicación. Para ver la lista de términos actuales de la garantía para su motor, acceda a BRIGGSandSTRATTON.com o contacte con su distribuidor de servicio técnico autorizado Briggs & Stratton.

² No están cubiertos por la garantía los motores montados en equipos utilizados para suministrar energía en lugar de un servicio o para generadores de reserva utilizados para fines comerciales, vehículos todoterreno que excedan los 25 MPH, o motores utilizados en competiciones deportivas o en pistas comerciales o de alquiler.

*En Australia, nuestros productos están cubiertos por garantías ineludibles de acuerdo con la legislación sobre consumo de este país. Tiene derecho a una sustitución o un reembolso por una avería importante y a compensación por cualquier otra pérdida o daño razonablemente previsible. También tiene derecho a una reparación o sustitución de productos si estos no son de una calidad aceptable y la avería no asciende a una avería importante. Para el servicio de garantía, busque el distribuidor de servicio técnico autorizado más cercano en el mapa localizador de distribuidores en BRIGGSandSTRATTON.COM, llame para ello al 1300 274 447, o envíe un correo electrónico u ordinario a salesenquires@briggsandstratton.com.au, Briggs & Stratton Australia Pty Ltd, 1 Moorebank Avenue, NSW, Australia, 2170.

El período de garantía comienza en la fecha de compra por el primer usuario final de consumo minorista o comercial, y continúa durante el período de tiempo que se indica en la tabla anterior. "Uso del consumidor" significa uso doméstico residencial personal por un consumidor minorista. "Uso comercial" significa todos los demás usos, como el uso para fines comerciales, de producción de renta o de alquiler. Una vez que el motor haya sido utilizado para uso profesional, será considerado como motor de uso profesional con respecto a esta garantía.

No es necesario registrar la garantía para obtener garantía sobre los productos Briggs & Stratton. Guarde su comprobante de compra. Si no aporta la prueba de la fecha de compra inicial en el momento de solicitar el servicio de garantía, se utilizará la fecha de fabricación del producto para determinar el periodo de garantía.

Sobre su garantía

Esta garantía cubre únicamente motores con material y/o mano de obra defectuosos, y no reemplazará ni reembolsará el equipo en el que esté montado el motor. El mantenimiento rutinario, las puestas a punto, el ajuste o el desgaste normal no están cubiertos por esta garantía. Del mismo modo, la garantía no es aplicable si el motor ha sido alterado o modificado o si el número de serie del motor ha sido borrado o eliminado. Esta garantía no cubre daños al motor o problemas de rendimiento provocados por:

1. El uso de repuestos no originales de Briggs & Stratton; Briggs & Stratton
2. El funcionamiento del motor con aceite lubricante insuficiente, contaminado o del tipo incorrecto;
3. El uso de combustible contaminado o pasado, o gasolina formulada con más del 10 % de etanol, o el uso de combustibles alternativos como gas de petróleo licuado o gas natural en motores no diseñados o fabricados originalmente por Briggs & Stratton para operar con tales combustibles;
4. Suciedad en el motor acumulada por un mantenimiento o un montaje inadecuados del filtro de aire;
5. El impacto de un objeto contra la cuchilla de una cortadora de césped rotativa, un montaje flojo o incorrecto de adaptadores de la cuchilla, impulsores u otros dispositivos acoplados al cigüeñal, o un apriete excesivo de la correa en V;
6. Piezas o conjuntos asociados tales como embragues, transmisiones, mandos del equipo, etc., no suministrados por Briggs & Stratton;
7. El sobrecalentamiento causado por los recortes de hierba, la suciedad o la presencia de nidos de roedores que taponan u obstruyen las aletas de refrigeración o la zona del volante, o por hacer funcionar el motor sin una ventilación suficiente;
8. Unas vibraciones excesivas debidas a un exceso de velocidad, a un montaje del motor flojo, cuchillas o impulsores desequilibrados o flojos, o el acoplamiento incorrecto de componentes del equipo al cigüeñal;
9. Un uso incorrecto, falta de mantenimiento rutinario, transporte, manipulación o almacenamiento del equipo, o un montaje incorrecto del motor.

El servicio bajo garantía solo lo prestan los distribuidores de servicio técnico autorizado Briggs & Stratton. Localice su distribuidor de servicio técnico autorizado más cercano en nuestro mapa localizador de distribuidores en BRIGGSandSTRATTON.COM o llame al número 1-800-444-7774 (en EE. UU.).

80114782 (Revisión A)

Yleisiä tietoja



Tästä käyttöohjeesta löytyy turvallisuustietoja moottoriin liittyvistä vaaroista ja riskeistä sekä siitä, miten niitä voidaan ehkäistä. Ohjeessa selitetään myös tämän moottorin oikeanlainen käyttö ja huolto. Näiden ohjeiden lukeminen, ymmärtäminen ja tarkka noudattaminen on tärkeää. Säilytä tämä ohjekirja mahdollista tulevaa tarvetta varten.

HUOMIO: Tämän ohjekirjan kuvat ja kuvitus ovat ainoastaan tiedoksi. Ne saattavat poiketa omasta mallistasi. Käytä oman moottorisi kokoonpanoa vastaavia kuvia. Keskustele tarvittaessa valtuutetun huoltoliikkeen kanssa.

Kirjaa muistiin ostopäivä, moottorin malli, tyyppi, varustetaso sekä moottorin sarjanumero varaosien hankkimista varten. Nämä numerot löytyvät moottorista. Katso kohta **Toiminnot ja hallintalaitteet**.

Ostopäivä	
Moottorin malli – Tyyppi – Varustelutaso	
Moottorin sarjanumero	

Euroopan pääkonttorin yhteystiedot

Jos sinulla on kysyttävää eurooppalaisista päästötasosta, voit ottaa yhteyttä Euroopan pääkonttoriimme osoitteessa:

Max-Born-Straße 2, 68519 Viernheim, Saksa.

Euroopan unioni (EU) Vaihe V (5): Hiilidioksidiarvot (CO2)

Löydät Briggs & Strattonin EU-tyyppihyväksytyjen moottoreiden hiilidioksidiarvot kirjoittamalla "CO2" BriggsandStratton.com-sivuston hakuruutuun.

Kierrätystiedot



Kaikki pahvit, laatikot, käytetty öljy ja akut tulee kierrättää viranomaisten antamien säädösten mukaisesti.

Käyttäjän turvallisuus

Varoitusmerkki ja varoitussanat



Turvallisuusvaroituksen symboli viittaa turvallisuusohjeisiin, joiden noudattamatta jättäminen saattaa johtaa loukkaantumiseen. Varoitussanaa (**VAARA**, **VAROITUS** tai **HUOMAUTUS**) käytetään osoittamaan mahdollisen vamman todennäköisyyttä ja mahdollista vakavuutta. Lisäksi varoitusmerkkiä käytetään osoittamaan vaaran tyyppiä.

VAARA merkitsee vaaraa, joka saattaa, mikäli sitä ei vältetä, johtaa vakavaan loukkaantumiseen tai kuolemaan.

VAROITUS tarkoittaa vaaraa, joka toteutuessaan voi johtaa kuolemaan tai vakavaan vammaan.

HUOMIO tarkoittaa vaaraa, joka toteutuessaan voi aiheuttaa lievän tai kohtalaisen vamman.

HUOMAA tarkoittaa tärkeitä, mutta ei vaaroihin liittyviä tietoja.

Varoitusmerkit ja niiden selitykset

	Turvallisuustietoa vaaroista, jotka voivat johtaa henkilövahinkoihin.		Lue ja ymmärrä käyttöohjekirja ennen laitteen käyttöä tai huoltoa.
	Tulipalon vaara		Räjähdyksivaara
	Sähköiskun vaara		Myrkyllisten kaasujen vaara

	Kuumien pintojen vaara		Takapotkun vaara
	Raajan irtoamisen vaara – liikkuvia osia		Polttoaineen määrä – maksimi Ei saa ylittää

Turvallisuusviestit



VAROITUS

Briggs & Stratton® -moottoreita ei ole suunniteltu käytettäväksi eikä niitä saa käyttää kartingautojen, lasten ajoneuvojen, vapaa-ajan tai urheilukäyttöön tarkoitettujen mönkijöiden, moottoripyörien, ilmatyynyvalusten tai ilmailuvälineiden voimanlähteenä tai ajoneuvoissa, joita käytetään kilpailuissa, joita Briggs & Stratton ei ole hyväksynyt. Lisätietoja kilpailutuotteistamme löytyy osoitteesta www.briggsracing.com. Halutessasi tietoja tuotteen käytöstä hyötyajoneuvoissa ja mönkijöissä, ota yhteyttä Briggs & Stratton Power Application Center -keskukseen, 1-866-927-3349. Moottorin vääränlainen käyttö saattaa aiheuttaa vakavan vammautumisen tai kuoleman.



VAROITUS

Polttoaine ja polttoainehöyryt ovat helposti syttyviä ja räjähdysherkkiä. Tulipalo tai räjähdys voi aiheuttaa palovammoja tai kuoleman.

Polttoainetta lisättäessä

- Sammuta moottori. Odota ennen polttoainesäiliön korkin irrottamista vähintään kaksi (2) minuuttia, jotta moottori on varmasti jäähtynyt.
- Täytä polttoainesäiliö ulkona sellaisessa paikassa, jossa ilma virtaa hyvin.
- Säiliöön ei saa lisätä liikaa polttoainetta. Älä täytä polttoainesäiliön kaulan alareunaa korkeammalle, jotta polttoaine pääsee laajenemaan.
- Suojaa polttoaine kipinöiltä, avotulelta, sytytysliekiltä, lämmöltä ja muilta sytytyslähteiltä.
- Tarkista usein, ettei polttoaineputkissa, polttoainesäiliössä, säiliön korkissa tai liittimissä ole murtumia eikä vuotoja. Vaihda vaurioituneet osat.
- Jos polttoainetta läikkyy, odota sen haihtumista ennen moottorin käynnistämistä.

Moottoria käynnistettäessä

- Varmista, että sytytystulppa, äänenvaimennin, polttoainesäiliön korkki ja ilmanpuhdistin (mikäli varusteena) on asennettu oikein.
- Älä pyöritä moottoria sytytystulppa irrotettuna.
- Jos moottori tulvii, aseta rikastin (mikäli varusteena) AUKI- tai AJO-asentoon. Siirrä kaasuläppä (mikäli varusteena) NOPEA-asentoon ja väännä kampea, kunnes moottori käynnistyy.
- Jos alueella on nestekaasuvuoto, ei moottoria saa käynnistää.
- Paineistettuja käynnistysnesteitä ei saa käyttää, koska niiden höyryt sytyvät herkästi.

Laitetta käytettäessä

- Moottoria tai laitetta ei saa kallistaa niin paljon, että polttoainetta pääsee vuotamaan.
- Älä sammuta moottoria käyttämällä rikastinta (mikäli varusteena).
- Moottoria ei saa käynnistää tai käyttää, jos ilmanpuhdistin (mikäli varusteena) tai ilmansuodatin (mikäli varusteena) on irrotettu.

Huoltotoimenpiteiden aikana

- Jos öljy valutetaan pois yläpuolisen täyttöputken kautta, on polttoainesäiliön oltava tyhjä. Jos se ei ole tyhjä, voi polttoainevuoto aiheuttaa tulipalon tai räjähdysten.
- Jos laitetta täytyy kallistaa huollon aikana, on varmistettava, että polttoainesäiliö on tyhjä ja että sytytystulpan puoleinen puoli on ylöspäin, jos polttoainesäiliö on kiinnitetty moottoriin. Jos polttoainesäiliö ei ole tyhjä, voi polttoainevuoto aiheuttaa tulipalon tai räjähdysten.
- Tarkista usein, ettei polttoaineputkissa, polttoainesäiliössä, säiliön korkissa tai liittimissä ole murtumia eikä vuotoja. Vaihda vaurioituneet osat.
- Säätimen josta, vivustoa tai muita osia ei saa muuttaa moottorin käyntinopeuden lisäämiseksi.
- Vauhitypyörää ei saa iskeä vasaralla tai muulla kovalla esineellä. Sellainen voi aiheuttaa vauhitypyörän toimintahäiriön käytön aikana.
- Varaosien on oltava samanlaisia, ja ne on asennettava samaan asentoon kuin alkuperäisetkin osat. Myös muut osat saattavat vaurioitua.

Laitetta siirrettäessä

- Varmista, että polttoainesäiliö on TYHJÄ tai että polttoaineen sulkuventtiili on SULJETTU-asennossa.

Polttoaineen tai laitteen varastoiminen, kun tankissa on polttoainetta

- Koska sytytysliekit ja muut syttymislähteet saattavat aiheuttaa räjähdysriskin, tulee polttoaine tai laite säilyttää kaukana lämmityskattiloista, uuneista, vedenlämmittimistä tai muista sytytysliekillä varustetuista laitteista.



VAROITUS

Polttoaine ja polttoainehöyryt ovat helposti syttyviä ja räjähdysherkkiä. Tulipalo tai räjähdys voi aiheuttaa palovammoja tai kuoleman.

Moottorin käynnistyminen aiheuttaa kipinän, joka voi johtaa tulipaloon tai räjähdykseen.

- Jos alueella on nestekaasuvuoto, ei moottoria saa käynnistää.
- Paineistettuja käynnistysnesteitä ei saa käyttää, koska niiden höyryt sytyvät herkästi.



VAROITUS

MYRKYLLISEN KAASUN VAARA. Moottorin pakokaasu sisältää hää, joka on myrkyllistä ja saattaa olla kuolettavaa muutamassa minuutissa. Vaikka et haistaisikaan pakokaasun hajua, saatat silti altistua vaaralliselle hiilimonoksidikaasulle eli häälle. Jos sinua alkaa oksettaa tai haimata tai tunnet olosi heikoksi laitetta käyttäessäsi, hakeudu VÄLITTÖMÄSTI raittiiseen ilmaan. Hakeudu lääkärin hoitoon. Sinulla saattaa olla häämyrkytys.

- Hiilimonoksidi eli hää saattaa kerääntyä suljettuihin tiloihin. Hiilimonoksidivaara vältetään käyttämällä tätä laitetta AINOASTAAN ulkotiloissa ja kaukana ikkunoista, ovista ja tuuletusaukoista.
- Asenna paristokäyttöiset häävaroitimet tai verkkokäyttöiset ja paristovarmenteiset häävaroitimet valmistajan ohjeiden mukaan. Savuhälyttimet eivät havaitse hiilimonoksidia.
- Tätä tuotetta EI SAA käyttää asuintiloissa, autotalleissa, kellareissa, ryömintätiloissa, vajoissa tai muissa suljetuissa tiloissa, vaikka niissä olisikin tuulettimia tai avattavia ovia ja ikkunoita ilmanvaihtoa varten. Hiilimonoksidi saattaa kerääntyä tämän tuotteen käytön jälkeen nopeasti edellä mainittuihin tiloihin ja jäädä niihin tunneiksi.
- Laite tulee AINA asettaa siten, että se on tuulen alapuolella ja että pakoputki osoittaa pois päin tiloista, joissa oleskellaan.



VAROITUS

Käynnistysnarun nopea vetäytyminen (takapotku) vetää kätesi ja käsivartesi moottoriin päin nopeammin kuin ehdit laskea kahvasta irti. Tämä saattaa aiheuttaa luiden katkeamista, murtumia, mustelmia tai nyrjähdysriskiä.

- Moottorin käynnistyksen yhteydessä tapahtuva takapotku estetään vetämällä köydestä hitaasti, kunnes vastus tuntuu, ja nykäisemällä sitten nopeasti.
- Kytke pois tai irrota kaikki ylimääräisiä moottorin tai laitteen kuormitus käynnistyksen ajaksi.
- Varmista, että kaikki suoraan kytketyt komponentit, kuten esimerkiksi terät, puhaltimet, vetopyörät, hihnapyörät ja ketjupyörät on kiinnitetty tiukasti.



VAROITUS

Pyörivät osat voivat tarttua käsiin, hiuksiin tai vaatteisiin. Tästä voi seurata vakavia silpoutumia tai haavoittumista.

- Suojien tulee olla asennettuina oikein laitteen käytön aikana.
- Pidä kädet ja jalat pois pyörivistä osista.
- Ota korut pois ja varmista, että pitkät hiukset eivät joudu pyörivien osien läheisyyteen.
- Älä käytä löysiä vaatteita tai esineitä, jotka saattaisivat tarttua kiinni.



VAROITUS

Moottori ja äänenvaimennin kuumenevat käytön aikana. Kuumen moottorin koskettaminen voi aiheuttaa palovammoja.

Syttymisriskit aineet, kuten lehdet, ruoho tai pensaat, voivat syttyä tuleen.

- Sammuta moottori ja odota kaksi (2) minuuttia ennen moottoriin tai äänenvaimentimeen koskemista. Varmista, että on turvallista koskea moottoriin tai äänenvaimentimeen.
- Poista roskat moottorista ja äänenvaimentimesta.

Kalifornian luonnonvaralain 4442 §:n nojalla on kiellettyä käyttää moottoria metsä-, pensas- tai ruohopeitteisellä maalla tai sellaisen lähellä, ellei pakojärjestelmään ole asennettu 4442 §:ssä esitettyjen määritelmien mukaista toimintakuntoista kipinäsuojaa. Muissa osavaltioissa tai muilla liittovaltiollisilla oikeudenkäyttöalueilla saattaa olla samankaltaisia lakeja; ks. Code of Federal Regulations - säännöstö (CFR) 36 osa 261.52. Ota yhteys alkuperäisen laitteen valmistajaan, jälleenmyyjään tai vähittäiskauppiaaseen saadaksesi tälle moottorille suunniteltuun pakokaasujärjestelmään sopivan kipinänsammuttimen.



VAROITUS

Tahaton moottorin kipinä voi aiheuttaa sähköiskun, tulipalon tai räjähdysriskin ja se saattaa aiheuttaa osiin tarttumisen, raajojen irtileikkautumisen tai silpoutumisen.

Ennen säätöjä tai korjaustoimenpiteitä:

- Irrota kaikki sytytystulppien johdot ja pidä ne kaukana sytytystulppista.
- Irrota akun kaapeli miinusnavasta (vain sähkökäynnisteiset mallit).
- Käytä vain asianmukaisia työkaluja.

Kipinää tarkastettaessa:

- Käytä hyväksytyä sytytystulpan testeriä.
- Kipinöintiä ei saa tarkistaa sytytystulpan ollessa irti.



VAROITUS

Polttoainehöyryt sytyvät helposti ja voivat räjähtää. Tulipalo tai räjähdys voi aiheuttaa palovammoja tai kuoleman.

Jos tuntuu kaasun hajua

- Älä käynnistä moottoria.
- Älä laita sähkökytkimiä päälle.
- Älä käytä puhelinta koneen lähellä.
- Evakuoalue.
- Ota yhteys kaasulaitokseen tai palokuntaan.

Toiminnot ja hallintalaitteet

Moottorin hallintalaitteet







Vertaa kuvien 1, 2, 3 ja 4 viitekirjaimia seuraavan luettelon moottorin ohjaimiin:

- Moottorin tunnustenumeroit **Malli – Tyyppi – Koodi**
- Sytytystulppa
- Ilmanpuhdistin (ei polttoainesäiliötä)
- Ilmanpuhdistin (polttoainesäiliöllä)
- Mittatikku
- Öljyntäyttöaukko
- Öljynsuodatin (jos asennettuna)
- Öljyn valutustulppa
- Öljynpaineen anturi
- Sormisuoja
- Sähkökäynnistin
- Vetokäynnistys (mikäli asennettuna)
- Kaasutin - kaasutinmallit
- Äänenvaimennin
- Polttoainepumppu
- Käynnistinvipu¹
- Nopeudensäädin¹
- Rikastimen ohjain¹
- Polttoainesuodatin (mikäli asennettuna)
- Polttoainesäiliö
- Polttoaineen sulkuventtiili (jos asennettuna)¹
- Pysäytyskytkin (jos asennettuna)¹
- Öljynjäähdytintä (mikäli asennettuna)
- Polttoainepumppu - EFI-mallit
- Elektroninen ohjausyksikkö - EFI-mallit
- Polttoainesuutin - EFI-mallit

¹ Joissakin moottoreissa tai laitteissa saattaa olla kauko-ohjaimia. Tarkista etäohjainten sijainti ja toiminta laitteen käyttöoppaasta.

Moottorin ohjainten symbolit ja niiden selitykset

	Moottorin käyntinopeus – NOPEA		Moottorin käyntinopeus – HIDAS
--	--------------------------------	--	--------------------------------

 Moottorin käyntinopeus – SEIS	 PÄÄLLÄ/POIS PÄÄLTÄ
 Moottorin käynnistys (start) Rikastin KIINNI	 Moottorin käynnistys (start) Rikastin AUKI
 Polttoainesäiliön korkki Polttoaineen sulkuventtiili AUKI	 Polttoaineen sulkuventtiili KIINNI

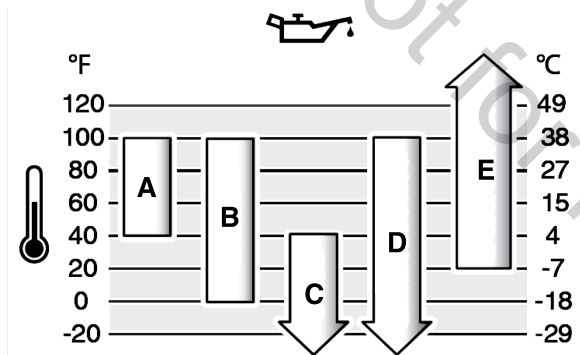
Käyttö

Öljyä koskevat suositukset

Öljytilavuus: Ks. osio "Tekniset tiedot".

Parhaan tehon saavuttamiseksi suositellaan Briggs & Stratton® -takuun sertifioidien öljyjen käyttöä. Muita korkealaatuisia puhdistavia öljyjä voidaan käyttää, jos niiden luokitus on SF, SG, SH, SJ tai korkeampi. Älä käytä erikoislisäaineita.

Valitse paras viskositeetti odotetun ulkoilman lämpötilan perusteella tästä taulukosta. Useimpien ulkokäyttöön tarkoitettujen laitteiden moottorit toimivat hyvin synteettisellä 5W-30-viskositeetin öljyllä. Parhaan suojan korkeissa lämpötiloissa käytettäville laitteille antaa synteettinen Vanguard® 15W-50 -öljy.



A	SAE 30 – Alle 40 °F:n (4 °C) lämpötiloissa SAE 30 -öljyn käyttö johtaa huonoon käynnistävyyteen.
B	10W-30 – Käytettäessä 10W-30-öljyä yli 80 °F:n (27 °C) lämpötilassa öljyn kulutus saattaa lisääntyä. Öljyn määrä tulee tarkistaa usein.
C	5W-30
D	Synteettinen 5W-30
E	Vanguard® synteettinen 15W-50

Öljymäärän tarkistus

Ennen öljyn tarkistamista tai lisäämistä

- Varmista, että moottori on vaakasuorassa.
- Poista lika ja roskat öljyntäyttöalueelta.
- Öljytilavuus löytyy **teknisistä tiedoista**.

HUOMAA

Tämä moottori on lähetetty Briggs & Strattonin tehtaalta sisältämättä öljyä. Laittevalmistajat tai -myyjät ovat saattaneet lisätä moottoriin öljyä. Varmista ennen moottorin ensimmäistä käynnistyskertaa, että öljyä on oikea määrä. Lisää öljyä tässä käyttöohjeessa selitetyllä tavalla. Mikäli käynnistät moottorin lisäämättä öljyä, moottori vaurioituu eikä takuu korvaa sen korjausta.

1. Poista mittatikku (A, kuva 5) ja puhdista se liinalla.
2. Asenna ja kiristä mittatikku (A, kuva 5).
3. Poista mittatikku ja tarkasta öljytaso. Varmista, että öljymäärä ulottuu mittatikussa olevaan täyttää säiliötä osoittavan merkin (B, kuva 5) yläreunaan.
4. Jos öljymäärä on vähäinen, lisää öljyä hitaasti moottorin täyttöaukkoon (C, kuva 5). Älä lisää liikaa öljyä.
5. Odota minuutin verran ja tarkista öljymäärä uudelleen. Varmista, että öljymäärä on oikea.
6. Asenna ja kiristä mittatikku (A, kuva 5).

Alhaisen öljymäärän suojausjärjestelmä (mikäli asennettuna)

Joissain moottoreissa on alhaisen öljymäärän anturi. Jos öljymäärä on alhainen, anturiin syttyy varoitusvalo tai se sammuttaa moottorin. Sammuta moottori ja noudata seuraavia ohjeita ennen moottorin käynnistämistä uudelleen.

- Varmista, että moottori on vaakasuorassa.
- Tarkista öljy. Katso osio **Öljytason tarkistaminen**.
- Jos öljymäärä on alhainen, lisää sopiva määrä öljyä. Käynnistä moottori ja varmista, että varoitusvalo (mikäli asennettuna) ei syty.
- Jos öljytaso ei ole alhainen, älä käynnistä moottoria. Pyydä valtuutetusta Briggs & Stratton -huoltoliikkeestä lisätietoja öljyongelman ratkaisemiseksi.

Polttoainesuositukset

Polttoaineen on täytettävä seuraavat vaatimukset:

- Puhdas, tuore, lyijytön bensiini.
- Vähintään 87-oktaaninen / 87 AKI (91 RON). Korkean ilmanalan käyttöä koskevat ohjeet löytyvät jäljempänä.
- Enintään 10 % etanolia sisältävän bensiinin (gasoholin) käyttö on sallittu.

HUOMAA

Älä käytä hyväksymätöntä bensiiniä, kuten E15 ja E85. Älä sekoita öljyä bensiiniin äläkä muuta moottoria toimimaan vaihtoehtoisilla polttoaineilla. Muiden kuin hyväksytyjen polttoaineiden käyttö saattaa vahingoittaa moottorin komponentteja. Takuu ei korvaa niiden korjausta.

Sekoita polttoaineeseen alkoholiton polttoaineen lisäainetta ja etanolia suojaamaan polttoainejärjestelmää hartsin muodostumiselta ja syöpymiseltä. Katso luku **Säilytys**. Kaikki polttoaineet eivät ole samanlaisia. Polttoaineen toimittaja tai merkki tulee vaihtaa, jos moottorin käynnistyksessä tai toiminnassa esiintyy ongelmia. Tämä moottori on sertifioitu toimimaan bensiinillä. Kaasutinmoottoreiden pakokaasupäästöjen rajoitusjärjestelmä on EM (Engine Modifications, moottorin modifikaatio). Elektronisella polttoaineen ruiskutuksella varustettujen moottoreiden pakokaasupäästöjen hallintajärjestelmät ovat ECM (Engine Control Module, moottorin ohjausmoduuli), MFI (Multiport Fuel Injection, monipisteruiskutus), TBI (Throttle Body Fuel Injection, yksipisteruiskutus) ja, mikäli varusteena, O2S (Oxygen Sensor, happianturi).

Korkealla sijaitsevat alueet

Yli 5 000 jalan (1 524 metrin) korkeudessa polttoaineena tulee olla vähintään 85-oktaaninen/85 AKI:n (89 RON) bensiini.

Kaasuttimella varustettua moottoria on säädettävä korkeaa ilmanalaa vastaavaksi tehon ylläpitämiseksi. Käyttö ilman korkean ilmanalan säätöä heikentää suorituskykyä sekä lisää polttoaineen kulutusta ja päästöjä. Saat Briggs & Strattonin valtuutetusta huoltoliikkeestä lisätietoja korkean ilmanalan säädöistä. Korkean ilmanalan säätöä ei suositella, jos moottoria käytetään alle 2 500 jalan (762 metrin) korkeudessa.

Elektronisella polttoaineen ruiskutuksella toimiville moottoreille (EFI) ei ole tarpeellista suorittaa korkean paikan säätöä.

Polttoaineen lisääminen



VAROITUS

Polttoaine ja polttoainehöyryt ovat helposti syttyviä ja räjähdysherkkiä. Tulipalo tai räjähdys voi aiheuttaa palovammoja tai kuoleman.

Polttoainetta lisättäessä

- Sammuta moottori. Odota ennen polttoainesäiliön korkin irrottamista vähintään kaksi (2) minuuttia, jotta moottori on varmasti jäähtynyt.
- Täytä polttoainesäiliö ulkona sellaisessa paikassa, jossa ilma virtaa hyvin.
- Säiliöön ei saa lisätä liikaa polttoainetta. Älä täytä polttoainesäiliön kaulan alareunaa korkeammalle, jotta polttoaine pääsee laajenemaan.
- Suojaa polttoaine kipinöiltä, avotulelta, syytysliekiltä, lämmöltä ja muilta syytyslähteiltä.
- Tarkista usein, ettei polttoaineputkissa, polttoainesäiliössä, säiliön korkissa tai liittimissä ole murtumia eikä vuotoja. Vaihda vaurioituneet osat.
- Jos polttoainetta läikky, odota sen haihtumista ennen moottorin käynnistämistä.

1. Puhdista lika ja roskat polttoainesäiliön korkin ympäriltä. Irrota polttoainesäiliön korkki.
2. Täytä polttoainesäiliö (A, kuva 6) polttoaineella. Koska polttoaine laajenee, sitä ei saa lisätä polttoainesäiliön kaulan pohjan yläpuolelle (B).
3. Aseta korkki takaisin.

Moottorin käynnistys



VAROITUS

Tahaton moottorin kipinä voi aiheuttaa sähköiskun, tulipalon tai räjähdysriskin ja se saattaa aiheuttaa osiin tarttumisen, raajojen irtileikkautumisen tai silpoutumisen.

Ennen säätöjä tai korjaustoimenpiteitä:

- Irrota kaikki sytytystulppien johdot ja pidä ne kaukana sytytystulpista.
- Irrota akun kaapeli miinusnavasta (vain sähkökäynnisteiset mallit).
- Käytä vain asianmukaisia työkaluja.

Kipinää tarkastettaessa:

- Käytä hyväksytyä sytytystulpan testeriä.
- Kipinöintiä ei saa tarkistaa sytytystulpan ollessa irti.



VAROITUS

Käynnistysnarun nopea vetäytyminen (takapotku) vetää kätesi ja käsivartesi moottoriin päin nopeammin kuin ehdit laskea kahvasta irti. Tämä saattaa aiheuttaa luiden katkeamista, murtumia, mustelmia tai nyrjähdysriskiä.

- Moottorin käynnistyksen yhteydessä tapahtuva takapotku estetään vetämällä köydestä hitaasti, kunnes vastus tuntuu, ja nykäisemällä sitten nopeasti.
- Kytke pois tai irrota kaikki ylimääräinen moottorin tai laitteen kuormitus käynnistyksen ajaksi.
- Varmista, että kaikki suoraan kytketyt komponentit, kuten esimerkiksi terät, puhaltimet, vetopyörät, hihnapyörät ja ketjupyörät on kiinnitetty tiukasti.



VAROITUS

MYRKYLLISEN KAASUN VAARA. Moottorin pakokaasu sisältää hääkää, joka on myrkyllistä ja saattaa olla kuulettavaa muutamassa minuutissa. Vaikka et haistaisikaan pakokaasun hajua, saatat silti altistua vaaralliselle hiilimonoksidikaasulle eli hääkelle. Jos sinua alkaa oksettaa tai huimata tai tunnet olosi heikoksi laitetta käyttäessäsi, hakeudu VÄLITTÖMÄSTI raittiiseen ilmaan. Hakeudu lääkärin hoitoon. Sinulla saattaa olla hääkämurkytys.

- Hiilimonoksidi eli hääk saattaa kerääntyä suljettuihin tiloihin. Hiilimonoksidivaara vältetään käyttämällä tätä laitetta AINOASTAAN ulkotiloissa ja kaukana ikkunoista, ovista ja tuuletusaukoista.
- Asenna paristokäyttöiset hääkavaroittimet tai verkkokäyttöiset ja paristovarmenteiset hääkavaroittimet valmistajan ohjeiden mukaan. Savuhälyttimet eivät havaitse hiilimonoksidia.
- Tätä tuotetta EI SAA käyttää asuintiloissa, autotalleissa, kellareissa, ryömintätiloissa, vajoissa tai muissa suljetuissa tiloissa, vaikka niissä olisikin tuulettimia tai avattavia ovia ja ikkunoita ilmanvaihtoa varten. Hiilimonoksidi saattaa kerääntyä tämän tuotteen käytön jälkeen nopeasti edellä mainittuihin tiloihin ja jäädä niihin tunneiksi.
- Laitte tulee AINA asettaa siten, että se on tuulen alapuolella ja että pakoputki osoittaa pois päin tiloista, joissa oleskellaan.

HUOMAA

Tämä moottori on lähetetty Briggs & Strattonin tehtaalta sisältämättä öljyä. Laittevalmistajat tai -myyjät ovat saattaneet lisätä moottoriin öljyä. Varmista ennen moottorin ensimmäistä käynnistyskertaa, että öljyä on oikea määrä. Lisää öljyä tässä käyttöohjeessa selitetyllä tavalla. Mikäli käynnistät moottorin lisäämättä öljyä, moottori vaurioituu eikä takuu korvaa sen korjausta.

HUOMIO: Laitteessasi saattaa olla kauko-ohjaimia. Kauko-ohjainten sijainti ja toiminta löytyvät laitteen käsikirjasta.

Käynnistysjärjestelmien tyyppi

Ennen moottorin käynnistämistä täytyy tietää moottorin käyttämä käynnistysjärjestelmä. Moottorissa on yksi näistä järjestelmätyypeistä.

- **Elektroninen polttoaineen ruiskutusjärjestelmä (EFI):** EFI-järjestelmässä ei ole rikastinta tai primerpumpua.
- **Elektroninen polttoaineen hallintajärjestelmä (EFM, Electronic Fuel Management):** Elektronisessa polttoaineen hallintajärjestelmässä on elektroninen ohjausyksikkö, joka valvoo moottoria ja lämpötilaa. Siinä ei ole manuaalista rikastinta tai primerpumpua.
- **Rikastinjärjestelmä:** Tällaisessa järjestelmässä on rikastin, jota käytetään viileässä lämpötilassa. Joissakin malleissa on erillinen rikastimen säädin, kun taas toisissa on rikastimen ja kaasurikastimen yhdistelmä. Tässä mallissa ei ole primerpumpua.

Elektroninen polttoaineen ruiskutusjärjestelmä (EFI)

1. Tarkasta moottoriöljy. Katso kohta **Öljytason tarkastaminen**.
2. Varmista, että laitteen voimansiirron säätölaitteet, mikäli sellaisia on, ovat vapaalla.
3. Siirrä polttoaineen sulkuventtiili (A, kuva 7) (mikäli varusteena) AUKI-asentoon.

4. Työnnä pysäytyskytkin (F, kuvat 7, 8), jos sellainen on, PÄÄLLÄ-asentoon.
5. Jos koneessa on kaasuvipu (B, kuva 8), siirrä se NOPEA-asentoon. Käytä moottoria NOPEA-asennossa.
6. **Käsi-käynnistin, jos varustettu virta-avaimella:** Käännä virta-avain (D, kuvat 7, 8) PÄÄLLÄ-asentoon.
7. **Käsi-käynnistin, mikäli sellainen on:** Tartu käynnistinnarun kädensijaan tiukasti (E, kuvat 7, 8). Vedä käynnistinnarun kädensijaa hitaasti, kunnes tunnet vastuksen, ja vetäise sitten nopeasti.



VAROITUS

Käynnistinnarun nopea vetäytyminen (takapotku) vetää kättäsi kohti moottoria nopeammin kuin ehdit reagoida. Seurauksena voi olla luunmurtumia, ruhjeita tai venähdyksiä. Moottorin käynnistyksen yhteydessä tapahtuva takapotku estetään vetämällä köydestä hitaasti, kunnes vastus tuntuu, ja nykäisemällä sitten nopeasti.

8. **Sähkökäynnistin, mikäli sellainen on:** Käännä sähkökäynnistimen kytkin (D, kuvat 7, 8) PÄÄLLÄ- tai START-asentoon.

HUOMAA Voit pidentää käynnistimen käyttöaikaa käynnistämällä moottoria vain lyhyitä jaksoja (korkeintaan viisi sekuntia kerrallaan). Pidä minuutin tauko käynnistysyritysten välillä.

Mikäli moottori ei käynnisty 3–4 yrityksen jälkeen, ota yhteyttä paikalliseen jälleenmyyjään tai mene osoitteeseen vanguardpower.com tai soita numeroon 1-800-999-9333.

Elektroninen polttoaineen hallintajärjestelmä

1. Tarkasta moottoriöljy. Katso kohta **Öljytason tarkastaminen**.
2. Varmista, että laitteen voimansiirron säätölaitteet, mikäli sellaisia on, ovat vapaalla.
3. Siirrä polttoaineen sulkuventtiili (A, kuva 7) (mikäli varusteena) AUKI-asentoon.
4. Työnnä pysäytyskytkin (F, kuvat 7, 8), jos sellainen on, PÄÄLLÄ-asentoon.
5. Jos koneessa on kaasuvipu (B, kuva 8), siirrä se NOPEA-asentoon. Käytä moottoria NOPEA-asennossa.
6. **Käsi-käynnistin, jos varustettu virta-avaimella:** Käännä virta-avain (D, kuvat 7, 8) PÄÄLLÄ-asentoon.
7. **Käsi-käynnistin, mikäli sellainen on:** Tartu käynnistinnarun kädensijaan tiukasti (E, kuvat 7, 8). Vedä käynnistinnarun kädensijaa hitaasti, kunnes tunnet vastuksen, ja vetäise sitten nopeasti.



VAROITUS

Käynnistinnarun nopea vetäytyminen (takapotku) vetää kättäsi kohti moottoria nopeammin kuin ehdit reagoida. Seurauksena voi olla luunmurtumia, ruhjeita tai venähdyksiä. Moottorin käynnistyksen yhteydessä tapahtuva takapotku estetään vetämällä köydestä hitaasti, kunnes vastus tuntuu, ja nykäisemällä sitten nopeasti.

8. **Sähkökäynnistin, mikäli sellainen on:** Käännä sähkökäynnistimen kytkin (D, kuvat 7, 8) PÄÄLLÄ- tai START-asentoon.

HUOMAA Voit pidentää käynnistimen käyttöaikaa käynnistämällä moottoria vain lyhyitä jaksoja (korkeintaan viisi sekuntia kerrallaan). Pidä minuutin tauko käynnistysyritysten välillä.

Mikäli moottori ei käynnisty 3–4 yrityksen jälkeen, ota yhteyttä paikalliseen jälleenmyyjään tai mene osoitteeseen vanguardpower.com tai soita numeroon 1-800-999-9333.

Rikastinjärjestelmä

1. Tarkasta moottoriöljy. Katso kohta **Öljyn tarkastaminen ja lisääminen**.
2. Varmista, että laitteen voimansiirron säätölaitteet, mikäli sellaisia on, ovat vapaalla.
3. Siirrä polttoaineen sulkuventtiili (A, kuva 7) (mikäli varusteena) AUKI-asentoon.
4. Työnnä pysäytyskytkin (F, kuvat 7, 8), jos sellainen on, PÄÄLLÄ-asentoon.
5. Jos koneessa on kaasuvipu (B, kuva 7), siirrä se NOPEA-asentoon. Käytä moottoria NOPEA-asennossa.
6. Siirrä rikastimen ohjain (E, kuvat 9, 10) SULJETTU-asentoon.

HUOMIO: Rikastinta ei yleensä tarvitse käyttää, jos moottori on käynnistettäessä lämmin.

7. **Käsi-käynnistin, jos varustettu virta-avaimella:** Käännä virta-avain (D, kuvat 7, 8) PÄÄLLÄ-asentoon.
8. **Käsi-käynnistin, mikäli sellainen on:** Tartu käynnistinnarun kädensijaan tiukasti (E, kuvat 7, 8). Vedä käynnistysnarun kädensijaa (E) hitaasti, kunnes tunnet vastuksen, ja vetäise sitten nopeasti.



VAROITUS

Käynnistinnarun nopea vetäytyminen (takapotku) vetää kättäsi kohti moottoria nopeammin kuin ehdit reagoida. Seurauksena voi olla luunmurtumia, ruhjeita tai venähdyksiä. Moottorin käynnistyksen yhteydessä tapahtuva takapotku estetään vetämällä köydestä hitaasti, kunnes vastus tuntuu, ja nykyisellä sitten nopeasti.

9. **Sähkökäynnistys, jos varusteena:** Käännä virta-avain (D, kuvat 7, 8) PÄÄLTÄ- tai START-asentoon.

HUOMAA

Voit pidentää käynnistimen käyttöikää käynnistämällä moottoria vain lyhyitä jaksoja (korkeintaan viisi sekuntia kerrallaan). Pidä minuutin tauko käynnistysyritysten välillä.

10. Kun moottori lämpenee, siirrä rikastimen ohjain (C, kuvat 9, 10) AUKI-asentoon.

HUOMIO: Mikäli moottori ei käynnisty 2–3 yrityksen jälkeen, ota yhteyttä paikalliseen jälleenmyyjään, siirry osoitteeseen vanguardpower.com tai soita numeroon 1-800-999-9333.

Moottorin sammuttaminen



VAROITUS

Polttoaine ja polttoainehöyryt ovat helposti syttyviä ja räjähdysherkkiä. Tulipalo tai räjähdys voi aiheuttaa palovammoja tai kuoleman.

- Älä sammuta moottoria käyttämällä rikastinta (mikäli varusteena).
- Sammutuskatkaisin, mikäli sellainen on:** Siirrä pysäytyskytkin (F, kuva 11) POIS PÄÄLTÄ -asentoon.
 - Virta-avain, mikäli varusteena:** Kun kaasuvipu (jos sellainen on) on HIDAS-asennossa, käännä virta-avain (D, kuva 11) POIS PÄÄLTÄ -asentoon. Poista avain ja pidä se turvallisessa paikassa lasten ulottumattomissa.
 - Kun moottori on sammunut, siirrä polttoaineen sulkuventtiili (A, kuva 11) (mikäli varusteena) SULJETTU-asentoon.

Huolto

Huoltotiedot



VAROITUS

Polttoaine ja polttoainehöyryt ovat helposti syttyviä ja räjähdysherkkiä. Tulipalo tai räjähdys voi aiheuttaa palovammoja tai kuoleman.

Jos laitetta täytyy kallistaa huollon aikana, on varmistettava, että polttoainesäiliö on tyhjä ja että sytytystulpan puoleinen puoli on ylöspäin, jos polttoainesäiliö on kiinnitetty moottoriin. Jos polttoainesäiliö ei ole tyhjä, voi mahdollinen vuoto aiheuttaa tulipalon tai räjähdysriskin. Jos moottori on kallistettuna johonkin toiseen suuntaan, se ei käynnisty helposti, koska öljy tai polttoaine aiheuttaa ilmansuodattimen tai sytytystulppien kontaminaation.



VAROITUS

Tahaton moottorin kipinä voi aiheuttaa sähköiskun, tulipalon tai räjähdysriskin ja se saattaa aiheuttaa osiin tarttumisen, raajojen irtileikkautumisen tai silpoutumisen.

Ennen säätöjä tai korjaustoimenpiteitä:

- Irrota kaikki sytytystulppien johdot ja pidä ne kaukana sytytystulpista.
- Irrota akun kaapeli miinusnavasta (vain sähkökäynnisteiset mallit).
- Käytä vain asianmukaisia työkaluja.

Kipinää tarkastettaessa:

- Käytä hyväksytyä sytytystulpan testeriä.
- Kipinöintiä ei saa tarkistaa sytytystulpan ollessa irti.



VAROITUS

Varaosien on oltava samanlaisia, ja ne on asennettava samaan asentoon kuin alkuperäisetkin osat. Myös muut osat saattavat vaurioitua.

HUOMAA

Kaikki tämän moottorin valmistuksessa käytettyjen osien on oltava paikoillaan, jotta laite toimisi kunnolla.

Ota yhteyttä valtuutettuun Briggs & Stratton -huoltoliikkeeseen kaikissa moottoreiden huoltoon, korjaukseen ja varaosiin liittyvissä kysymyksissä.

Pakokaasujen puhdistusjärjestelmän huolto

Pyydä jotakin liikkuvia työkoneita huoltavaa korjaamoja tai teknikkoo suorittamaan pakokaasujen puhdistusjärjestelmän osien huolto, vaihto tai korjaus. Ilmainen pakokaasupäästöjen tarkastus on kuitenkin hyödynnettävissä vain silloin, kun työn

tekijänä on joku tehtaan valtuuttama jälleenmyyjä. Katso lisätietoja pakokaasujen puhdistusjärjestelmää koskevista lausekkeista.

Huoltoaikataulu

8 tunnin välein tai päivittäin
<ul style="list-style-type: none"> Tarkasta moottoriöljyn määrä. Puhdista äänenvaimentimen ja ohjaimien ympäristö.
100 tunnin välein tai vuosittain
<ul style="list-style-type: none"> Vaihda sytytystulpat. Moottoriöljyn vaihtaminen. Vaihda öljynsuodatin (mikäli asennettuna). Huolla ilmansuodatin¹. Puhdista esipuhdistin (jos asennettuna)¹. Huolla pakojärjestelmä.
250 tunnin välein tai vuosittain
<ul style="list-style-type: none"> Tarkista venttiilivälilykset. Säädä tarvittaessa.
400 tunnin välein tai vuosittain
<ul style="list-style-type: none"> Vaihda ilmansuodin. Vaihda polttoaineen suodatin. Huolla ilmajäähdytysjärjestelmä¹. Puhdista öljynjäähdyttimen lamellit¹.

¹ Puhdista useammin pölyisissä olosuhteissa tai jos ilmassa on runsaasti hiukkasia.

Elektroninen polttoaineen ruiskutusjärjestelmä (EFI)

EFI-järjestelmä valvoo moottorin lämpötilaa, moottorin käyntinopeutta ja akkujännitettä moottorin käynnistyksen ja lämpenemisen aikana. Järjestelmää ei voida säätää. Jos käynnistyksessä tai toiminnassa ilmenee ongelmia, ota yhteys valtuutettuun Briggs & Stratton -huoltoliikkeeseen.

HUOMAA Varmista, että noudatat seuraavia ohjeita, jotta EFI-järjestelmä ei vaurioituisi.

- ÄLÄ koskaan käynnistä moottoria, jos akun kaapelit ovat löysällä.
- Käännä avain POIS PÄÄLTÄ-asentoon ennen akun irtikytkemistä, irrottamista ja/ tai asennusta.
- ÄLÄ koskaan käytä akkulatoria moottorin käynnistämiseen.
- ÄLÄ koskaan irrota akun kaapeleita moottorin ollessa käynnissä.
- Kun kytket akun kaapeleita, kytke akkuun ensin pluskaapeli (+) ja sitten miinuskaapeli (-).
- Kun lataat akkua, käännä virtalukko POIS PÄÄLTÄ-asentoon ja kytke miinuskaapeli (-) irti akusta.
- ÄLÄ suihkuta vettä suoraan elektroniselle ohjauksyksikölle.

Elektroninen polttoaineen hallintajärjestelmä

Elektroninen polttoaineen hallintajärjestelmä valvoo moottorin lämpötilaa, moottorin käyntinopeutta ja akkujännitettä kuristimen säätämiseksi moottorin käynnistyksen ja lämpenemisen aikana. Järjestelmää ei voida säätää. Jos käynnistyksessä tai toiminnassa esiintyy ongelmia, ota yhteyttä valtuutettuun Briggs & Stratton -huoltoliikkeeseen.

HUOMAA Seuraavia ohjeita täytyy noudattaa, jotta elektroninen polttoaineen hallintajärjestelmä ei vaurioituisi.

- ÄLÄ koskaan käynnistä moottoria, jos akun kaapelit ovat löysällä.
- Virtakytkin on käännettävä POIS PÄÄLTÄ -asentoon ennen kaapelikäynnistyksen aloittamista tai ennen akkukaapeleiden irrottamista tai kytkemistä uudelleen. Virtakytkimen täytyy olla POIS PÄÄLTÄ -asennossa akkua ladattaessa.
- Akun kaapeleita irrotettaessa on ensin irrotettava negatiivinen (-) kaapeli ja sitten positiivinen (+) kaapeli. Akun kaapeleita kytkettäessä positiivinen (+) kaapeli on kytkettävä ensin ja sitten negatiivinen (-) kaapeli.
- ÄLÄ koskaan käytä akkulatoria moottorin käynnistämiseen.
- ÄLÄ koskaan irrota akun kaapeleita moottorin ollessa käynnissä.
- Vettä EI SAA suihkuttaa suoraan elektroniseen ohjauksyksikköön.

Kaasutin ja moottorin käyntinopeus

Kaasutinta, kierroslukurajoittimen josta, vivustoa tai muita osia ei saa muuttella ja yrittää siten säätää moottorin käyntinopeutta. Jos säätöjä tarvitaan, tulee ottaa yhteys valtuutettuun Briggs & Stratton -huoltoliikkeeseen.

HUOMAA

Laittevalmistaja ilmoittaa laitteeseen asennetun moottorin enimmäiskäyntinopeuden. Tätä nopeutta ei saa ylittää. Jos et tiedä varmasti moottorin enimmäiskäyntinopeutta tai tehdasasetteista käyntinopeutta, ota yhteys johonkin valtuutettuun Briggs & Stratton -huoltoliikkeeseen. Laitteen turvallisen ja oikean toiminnan varmistamiseksi moottorin käyntinopeuden saa säätää ainoastaan valtuutettu huoltoteknikko.

Sytytystulppien huolto

Tarkista sytytystulpan kärkiväli (A, kuva 12) lankatulkilla (B). Säädä sytytystulpan kärkiväli tarvittaessa uudelleen. Asenna sytytystulppa ja kiristä se asianmukaiseen momenttiin. Tarkemmat kärkivälillä ja vääntömomenttia koskevat tiedot löytyvät kohdasta **Tekniset tiedot**.

Pakoputkiston huolto



VAROITUS

Moottori ja äänenvaimennin kuumenevat käytön aikana. Kuuman moottorin koskettaminen voi aiheuttaa palovammoja.

Sytytmisherkät aineet, kuten lehdet, ruoho tai pensaat, voivat syttyä tuleen.

- Sammuta moottori ja odota kaksi (2) minuuttia ennen moottoriin tai äänenvaimentimeen koskemista. Varmista, että on turvallista koskea moottoriin tai äänenvaimentimeen.
- Poista roskat moottorista ja äänenvaimentimesta.

Kalifornian luonnonvaralain 4442 §:n nojalla on kiellettyä käyttää moottoria metsä-, pensas- tai ruohopeitteisellä maalla tai sellaisen lähellä, ellei pakojärjestelmään ole asennettu 4442 §:ssä esitettyjen määritelmien mukaista toimintakuntoista kipinäsuojaa. Muissa osavaltioissa tai muilla liittovaltiollisilla oikeudenkäyttöalueilla saattaa olla samankaltaisia lakeja; ks. Code of Federal Regulations -säännöstö (CFR) 36 osa 261.52. Ota yhteys alkuperäisen laitteen valmistajaan, jälleenmyyjään tai vähittäiskauppiaseen saadaksesi tälle moottorille suunniteltuun pakokaasuajrjestelmään sopivan kipinänsammuttimen.

Poista roskat äänenvaimentimen ja sylinterin läheisyydestä. Tarkasta, ettei äänenvaimentimessa ole halkeamia, syöpymistä tai muita vaurioita. Poista ilmanohjain tai kipinäsuojus, jos varusteena, ja tarkasta, onko siinä vaurioita tai hiilitukoksia. Jos vaurioita löytyy, tulee osat vaihtaa ennen laitteen käyttöä.



VAROITUS

Varaosien on oltava samanlaisia, ja ne on asennettava samaan asentoon kuin alkuperäisetkin osat. Myös muut osat saattavat vaurioitua.

Moottoriöljyn vaihtaminen



VAROITUS

Polttoaine ja polttoainehöyryt ovat helposti syttyviä ja räjähdysherkkiä. Tulipalo tai räjähdys voi aiheuttaa palovammoja tai kuoleman.

Moottori ja äänenvaimennin kuumenevat käytön aikana. Kuuman moottorin koskettaminen voi aiheuttaa palovammoja.

- Jos öljy valutetaan pois yläpuolisen täyttöputken kautta, on polttoainesäiliön oltava tyhjä. Jos se ei ole tyhjä, mahdollinen polttoainevuoto voi aiheuttaa tulipalon tai räjähdysvaaran.
- Sammuta moottori ja odota kaksi (2) minuuttia ennen moottoriin tai äänenvaimentimeen koskemista. Varmista, että on turvallista koskea moottoriin tai äänenvaimentimeen.

Käytetty öljy on vaarallista jätettä, ja se on hävitettävä asianmukaisesti. Älä hävitä sitä talousjätteen mukana. Pyydä paikallisilta jätehuoltoviranomaisilta, huollosta tai jälleenmyyjältä tietoja turvallisesta hävittämisestä tai kierrätyspaikoista.

Öljyn poistaminen

1. SAMMUTA moottori. Kun moottori on vielä lämmin, irrota sytytystulppien johdot (D, kuva 13) ja pidä ne loitolla sytytystulppista (E).
2. Poista mittatikku (A, kuvat 14, 15).
3. Irrota öljynpoistoaukon tulppa (F, kuvat 16, 17). Valuta öljy tarkoitukseen sopivaan asiaan.
4. Asenna ja kiristä öljyn valutustulppa (F, kuvat 16, 17).

Vaihda öljynsuodatin, mikäli asennettuna

1. Poista öljy moottorista. Katso osio **Öljyn poistaminen**.
2. Irrota öljynsuodatin (G, kuvat 18, 19) ja hävitä se asianmukaisesti.
3. Voitele öljynsuodattimen tiiviste kevyesti uudella, puhtaalla öljyllä ennen uuden öljynsuodattimen asentamista.

4. Asenna öljynsuodatin paikalleen käsin, kunnes tiiviste osuu öljynsuodattimen sovittimeen. Kiristä öljynsuodatinta sen jälkeen 1/2–3/4 kierrosta.
5. Lisää öljyä. Katso osio **Öljyn lisääminen**.
6. Käynnistä moottori ja anna sen käydä. Tarkista moottorin lämmettyä, ettei öljyvuoja ole.
7. Sammuta moottori. Varmista, että öljymäärä ulottuu mittatikussa olevaan täyttäsäiliötä osoittavan merkin yläreunaan. Katso osio **Öljyn lisääminen**.

Öljyn lisääminen

- Varmista, että moottori on vaakasuorassa.
- Poista lika ja roskat öljyntäyttöalueelta.
- Öljytilavuutta koskevat tiedot löytyvät **teknisistä tiedoista**.

1. Poista mittatikku (A, kuvat 20, 21). Poista öljy mittatikusta puhtaalla kangasliinalla.
2. Lisää öljyä hitaasti moottorin täyttöaukkoon (C, kuvat 20, 21) **Älä ylitäytä**. Odota minuutti ja tarkista öljymäärä.
3. Asenna ja kiristä mittatikku (A, kuvat 20, 21).
4. Poista mittatikku ja tarkasta öljytaso. Öljymäärä on oikea, kun öljy ulottuu mittatikuun täyttätasoa osoittavan merkin yläosaan (B, kuvat 20, 21).
5. Asenna ja kiristä mittatikku (A, kuvat 20, 21).
6. Kytke sytytystulpan johto/johdot (D, kuva 20) sytytystulppaan/-tulppiin.

Ilmanpuhdistimen huolto



VAROITUS

Polttoainehöyryt syttyvät helposti ja voivat räjähtää. Tulipalo tai räjähdys voi aiheuttaa palovammoja tai kuoleman.

- Moottoria ei saa käynnistää tai käyttää, jos ilmanpuhdistin (mikäli varusteena) tai ilmansuodatin (mikäli varusteena) on irrotettu.

HUOMAA

Älä käytä suodattimen puhdistamiseen paineilmaa tai liuottimia. Paineilma voi vahingoittaa suodatinta ja liuottimet sulattavat sen.

Katso huoltovaatimukset **Huoltoaikataulusta**.

Joissakin malleissa on esipuhdistin, joka voidaan pestä ja käyttää uudelleen. Vertaa tämän käyttöoppaan kuvitusta omaan koneeseesi asennettuun malliin.

1. **Mallit, joissa ei ole polttoainesäiliötä:** Avaa kiinnitin/kiinnittimet (A, kuva 22) ja irrota kansi (B).
2. **Mallit, joissa on polttoainesäiliö:** Irrota kiinnitin/kiinnittimet (C, kuva 23) ja kansi (D).
3. Irrota mutteri (D, kuvat 22, 23) ja kiinnitin (E).
4. Irrota ilmansuodatin (F, kuvat 22, 23).
5. Irrota esipuhdistin (G, kuvat 22, 23), jos varusteena, ilmansuodattimesta (F).
6. Irrota roskat napauttamalla suodatinta kevyesti (F, kuvat 22, 23) kovaa pintaa vasten. Jos ilmansuodatin on likainen, vaihda se uuteen.
7. Jos laitteessa on esisuodatin (G, kuvat 22, 23), pese se nestemäisellä pesuaineella ja vedellä. Jätä esipuhdistin kuivumaan ja anna sen kuivua täysin. **ÄLÄ** voitele esipuhdistinta.
8. Asenna kuiva esipuhdistin (G, kuva 22, 23), jos varusteena, ilmansuodattimeen (F).
9. Asenna ilmansuodatin (F, kuvat 22, 23) ja kiinnitä se kiinnittimellä (E) ja mutterilla (D).
10. Laita kansi paikoilleen (B, kuvat 22, 23).

Polttoainejärjestelmän huolto



VAROITUS

Polttoaine ja polttoainehöyryt ovat helposti syttyviä ja räjähdysherkkiä. Tulipalo tai räjähdys voi aiheuttaa palovammoja tai kuoleman.

- Suojaa polttoaine kipinöiltä, avotulelta, sytytysliekiltä, lämmöltä ja muilta sytytyslähteiltä.
- Tarkista usein, ettei polttoaineputkissa, polttoainesäiliössä, säiliön korkissa tai liittimissä ole murtumia eikä vuotoja. Vaihda vaurioituneet osat.
- Jos polttoainetta läikky, odota sen haihtumista ennen moottorin käynnistämistä.

Polttoainesuodatin, mikäli asennettuna

1. Tyhjennä polttoainesäiliö tai sulje polttoaineen sulkuventtiili (A, kuva 24) ennen polttoainesuodattimen vaihtamista. Jos polttoainesäiliötä ei tyhjenetä, polttoaine saattaa valua ulos ja aiheuttaa tulipalon tai räjähdysvaaran.
2. Purista kiinnikkeissä (C) olevia kielekkeitä (B, kuva 24) pihdeillä. Siirrä kiinnikkeet sitten pois polttoainesuodattimelta (A).

- Käännä ja vedä polttoaineletkut (D, kuva 24) irti polttoainesuodattimesta.
- Tarkasta, onko polttoaineputkistossa (D, kuva 24) halkeamia tai vuotokohtia. Vaihda polttoaineletkut tarvittaessa.
- Vaihda polttoainesuodatin (A, kuva 24).
- Kiinnitä polttoaineletkut (D, kuva 24) kiinnikkeillä (C).

Jäähdytysjärjestelmän huolto



VAROITUS Moottori ja äänenvaimennin kuumenevat käytön aikana. Kuuman moottorin koskettaminen voi aiheuttaa palovammoja.

Syttymisherkät roskat, kuten lehdet, ruoho tai pensaat, voivat syttyä tuleen.

- Sammuta moottori ja odota kaksi (2) minuuttia ennen moottoriin tai äänenvaimentimeen koskemista. Varmista, että on turvallista koskea moottoriin tai äänenvaimentimeen.
- Poista roskat moottorista ja äänenvaimentimesta.

HUOMAA

Moottoria ei saa puhdistaa vedellä. Vesi saattaa tunkeutua polttoainejärjestelmään. Moottori tulee puhdistaa harjalla tai kuivalla liinalla.

Tämä on ilmajäähdytteinen moottori. Lika ja roskat voivat estää ilman virtauksen ja aiheuttaa moottorin ylikuumentumisen, mikä heikentää moottorin tehoa ja lyhentää sen käyttöikää.

- Poista ilmanottoaukkoon kerääntyneet roskat harjalla tai kuivalla liinalla.
- Pidä vivusto, jouset ja ohjaimet puhtaina.
- Varmista, ettei äänenvaimentimen (mikäli varusteena) ympärillä ja sen takana olevilla alueilla ole syttymisherkkiä roskia.
- Varmista, että öljynjäähdyttimen rivat (mikäli varusteena) ovat puhtaat.

Ajan mittaan roskaa saattaa kertyä sylinterin jäähdytinsipoihin, mikä aiheuttaa moottorin ylikuumentumisen. Tätä ei-toivottua materiaalia ei voi poistaa purkamatta moottoria osittain. Pyydy jotain valtuutettua Briggs & Stratton -huoltoiliikettä tarkastamaan ja puhdistamaan ilmajäähdytysjärjestelmä **Huoltoaikataulun** mukaisesti.

Varastointi Polttoainejärjestelmä

Katso kuvaa: 25.



VAROITUS Polttoaine ja polttoainehöyryt ovat helposti syttyviä ja räjähdysherkkiä. Tulipalo tai räjähdys voi aiheuttaa palovammoja tai kuoleman.

Polttoaineen säilytys

- Koska sytytysliekit ja muut syttymislähteet saattavat aiheuttaa räjähdysten, tulee polttoaine tai laite säilyttää kaukana lämmityskattiloista, uuneista, vedenlämmittimistä tai muista sytytysliekillä varustetuista laitteista.

Säilytä moottoria vaakatasossa (normaalissa käyttöasennossa). Täytät polttoainesäiliö (A, kuva 25) polttoaineella. Älä täytät polttoainesäiliötä yli sen kaulan (B), jotta polttoaineen laajenemiselle jäisi tilaa.

Polttoaine saattaa vanhentua, jos sitä säilytetään polttoainesäiliössä yli 30 päivää. Alkoholittoman polttoaineen lisäaineen ja etanolin käyttöä polttoaineen varastointiasiaissa suositellaan polttoaineen pilaantumisen estämiseksi ja polttoaineen pitämiseksi tuoreena.

Kun lisää polttoainesäiliöön polttoainetta, lisää alkoholitonta polttoaineen lisäainetta valmistajan ohjeiden mukaan. Jos moottorin polttoainetta ei ole käsitelty lisäaineella, se on tyhjennettävä hyväksyttyn säiliöön. Anna moottorin käydä, kunnes polttoaine loppuu.

Moottoriöljy

Vaihda moottoriöljy kun moottori on vielä lämmin. Katso kohdasta **Moottoriöljyn vaihtaminen**.

Vianmääritys

Tuki

Lisäohjeita saat ottamalla yhteyttä paikalliseen jälleenmyyjään, siirtymällä osoitteeseen **BRIGGSandSTRATTON.COM** tai soittamalla numeroon **1-800-444-7774** (Yhdysvalloissa).

Tekniset tiedot

Tekniset tiedot ja huolto-osat

MALLIT: 290000, 300000	
Iskutilavuus	29.23 ci (479 cc)
Männän halkaisija	2.677 in (68 mm)
Iskun pituus	2.598 in (66 mm)
Öljytilavuus	46 - 48 oz (1,36 - 1,42 l)
Sytytystulpan kärkiväli	.030 in (.76 mm)
Sytytystulpan kiristysmomentti	180 tuumapauna (20 Nm)
Pyöräjän ilmaväli - Kaasutinmallit	.008 - .012 in (.20 - .30 mm)
Imuventtiilin vällys	.004 - .006 in (.10 - .15 mm)
Pakovoventtiilin vällys	.004 - .006 in (.10 - .15 mm)

MALLI: 350000	
Iskutilavuus	34.78 ci (570 cc)
Männän halkaisija	2.835 in (72 mm)
Iskun pituus	2.756 in (70 mm)
Öljytilavuus	46 - 48 oz (1,36 - 1,42 l)
Sytytystulpan kärkiväli	.030 in (.76 mm)
Sytytystulpan kiristysmomentti	180 tuumapauna (20 Nm)
Pyöräjän ilmaväli - Kaasutinmallit	.008 - .012 in (.20 - .30 mm)
Imuventtiilin vällys	.004 - .006 in (.10 - .15 mm)
Pakovoventtiilin vällys	.004 - .006 in (.10 - .15 mm)

MALLI: 380000	
Iskutilavuus	38.26 ci (627 cc)
Männän halkaisija	2.972 in (75,5 mm)
Iskun pituus	2.756 in (70 mm)
Öljytilavuus	46 - 48 oz (1,36 - 1,42 l)
Sytytystulpan kärkiväli	.030 in (.76 mm)
Sytytystulpan kiristysmomentti	180 tuumapauna (20 Nm)
Ankkurin ilmaväli - kaasutinmallit	.008 - .012 in (.20 - .30 mm)
Imuventtiilin vällys	.004 - .006 in (.10 - .15 mm)
Pakovoventtiilin vällys	.004 - .006 in (.10 - .15 mm)

Moottorin teho laskee 3,5 % jokaista 300 metriä (1 000 jalkaa) kohti merenpinnan yläpuolella ja 1 % kutakin 5,6 celsiusastetta (10 °F) kohti yli 25 celsiusasteen (77 °F) lämpötilassa. Moottori toimii moitteettomasti aina 15° kulmaan saakka. Katso laitteen käyttöohjekirjasta turvalliset käyttörajat kaltevilla pinnoilla.

MALLIT: 290000, 300000, 350000, 380000	
Huolto-osa	Osanumero
Ilmansuodatin (polttoainesäiliöllä, kuva 23)	383857
Ilmansuodatin (mallia 380000 lukuun ottamatta, kuva 22)	394018
Ilmansuodatin (malli 380000, 22)	692519
Ilmansuodatin, esipuhdistin (polttoainesäiliöllä, kuva 23)	271794
Ilmansuodatin, esipuhdistin (mallia 380000 lukuun ottamatta, kuva 22)	272490
Ilmansuodatin, esipuhdistin (malli 380000, kuva 22)	692520
Öljy - SAE 30	100028
Öljynsuodatin	842921
Polttoainesuodatin (polttoainesäiliöllä)	808116
Polttoainesuodatin (polttoainepumpulla)	845125
Polttoainesuodatin (ilman polttoainepumpua)	298090
Vastussytytystulppa	491055S
Platinakärkitulppa	696202, 5066K
Sytytystulppa-avain	19576S
Kipinätesteri	84003327

Suosittellemme, että otat yhteyttä valtuutettuun Briggs & Stratton -jälleenmyyjään kaikissa moottorien huoltoon, korjaukseen ja varaosiin liittyvissä kysymyksissä.

Tehoarvot

Bruttoteholuokitus yksittäisille bensiinimoottorimalleille on merkitty pienten moottorien tehon ja vääntömomentin luokittelua koskevan SAE-standardin (Society of Automotive Engineers) J1940 (Small Engine Power & Torque Rating Procedure) mukaan, ja se on mitoitettu SAE J1995:n mukaisesti. Vääntömomenttiarvot on saatu käyntinopeudella 2 600 r/min, jos moottorin käyntinopeus on mainittu tarrassa, ja muussa tapauksessa käyntinopeudella 3 060 r/min; hevosvoima-arvot käyntinopeudella 3 600 r/min. Bruttotehokäyrät ovat nähtävissä sivustolla www.BRIGGSandSTRATTON.COM. Nettotehoarvot on mitattu pakoputki ja ilmanpuhdistin asennettuina, mutta bruttotehoarvot mitataan ilman näitä oheislaitteita. Moottorin todellinen bruttoteho on nettotehoa suurempi, ja siihen vaikuttavat mm. ympäristön käyttöolosuhteet ja moottorikohtaiset vaihtelut. Koska moottoreita asennetaan hyvin erilaisiin laitteisiin, bensiinimoottori ei välttämättä saavuta sille arvioitua bruttotehoa yksittäisessä moottoroidussa laitteessa. Tämä ero johtuu monista eri tekijöistä, esimerkiksi moottorin osien erilaisuudesta (ilmanpuhdistin, pakoputki, lataus, jäähdytys, kaasutin, polttoainepumppu, jne.), käyttörajoituksista, ympäristön käyttöolosuhteista (lämpötila, kosteus, korkeus) ja moottorien yksilöllisestä vaihtelusta. Valmistus- ja kapasiteettirajoitusten vuoksi Briggs & Stratton voi vaihtaa moottorin saman sarjan tehokkaampaan versioon.

Takuu

Briggs & Stratton® -moottorin takuu

Voimassa alkaen elokuusta 2022

Rajoitettu takuu

Briggs & Stratton takaa, että jäljempänä määritellyn takuuajan se korjaa tai vaihtaa vekiänsä oman harkintansa mukaan materiaali- ja/tai valmistusvirian sisältävän osan uuteen, kunnostettuun tai uudelleenvalmistettuun osaan. Ostajan on maksettava takuukorjattavan tai takuuvaihdettavan tuotteen kuljetuskustannukset. Tämä takuu on voimassa jäljempänä esitetyn ajan ja jäljempänä esitetyillä ehdoilla. Jos tarvitsen takuuhuoltoa, etsi lähin valtuutettu huoltoilike löytyy Etsi lähin jälleenmyyjä -työkalulla osoitteesta BRIGGSandSTRATTON.COM. Ostajan täytyy olla yhteydessä valtuutettuun huoltomyyjään ja toimittaa tuote valtuutetulle huoltomyyjälle tarkastettavaksi ja testattavaksi.

Muuta nimenomaista takuuta ei myönnetä. Konkluenttiset takuut, myös kaupakelpoisuutta ja käyttötarkoitukseen sopivuutta koskevat takuut, on rajattu yhteen vuoteen ostopäivästä tai lain sallimiin rajoihin. Muita konkluenttisia takuuta ei myönnetä. Vastuu välillisistä tai oheisvahingoista ei kuulu tämän takuun piiriin siinä määrin, kuin lainsäädäntö tällaisen takuusrajoituksen sallii. Jotkin osavaltiot tai maat eivät salli rajoituksia sen suhteen, kuinka pitkään epäsuora takuu kestää, ja jotkin osavaltiot tai maat eivät salli satunnaisten tai välillisten vahinkojen poissulkemista tai rajoittamista, joten edellä mainittu rajoitus ja poissulkeminen ei välttämättä koske sinua. Tämä takuu antaa teille nimenomaiset lailliset oikeudet ja teillä saattaa olla myös muita oikeuksia Suomen lain mukaan.

Tavanomaiset takuehdot ^{1, 2}
Vanguard®; Commercial-sarja
Kuluttajakäyttö – 36 kuukautta
Kaupallinen ja ammattikäyttö – 36 kuukautta
XR-sarja
Kuluttajakäyttö – 24 kuukautta
Kaupallinen ja ammattikäyttö – 24 kuukautta
Kaikki muut valurautaisella Dura-Bore™-valurautaputkella varustetut moottorit
Kuluttajakäyttö – 24 kuukautta
Kaupallinen ja ammattikäyttö – 12 kuukautta
Kaikki muut moottorit
Kuluttajakäyttö – 24 kuukautta
Kaupallinen ja ammattikäyttö – 3 kuukautta

¹ Nämä ovat Briggs & Strattonin vakiotakuehdot; takuu saattaa toisinaan kattaa myös muita alueita, joita ei ole määrittänyt julkaisuhetkellä. Omaa moottoriaasi koskevat tämänhetkiset takuehdot löytyvät osoitteesta BRIGGSandSTRATTON.com. Saat ne myös ottamalla yhteyttä lähimpään valtuutettuun Briggs & Stratton -huoltoilikeeseen.

² Takuuta ei myönnetä hyötykäytössä voiman tuottamiseen käytettävien laitteiden moottoreille, kaupallisessa käytössä oleville varageneraattoreille, nopeampaa kuin 25 mph kulkeville ajoneuvoille tai kilpa-ajoissa tai kaupallisilla tai vuokratuilla käytettävillä moottoreille.

* Australia – Briggs & Stratton -tuotteilla on takuu, jota ei voi sivuuttaa Australian kuluttajansuojalain nojalla. Olet oikeutettu vaihtoon tai hyvitykseen merkittävästä viasta ja korvaukseen muusta kohtuudella ennakoitavasta tappiosta tai vahingosta. Olet myös oikeutettu tuotteiden korjaukseen tai vaihtoon, jos niiden laatu ei ole hyväksyttävä, vaikka vikaa ei katsottaisi merkittäväksi. Takuuhuoltoon liittyvissä asioissa tulee ottaa

yhteyttä lähimpään valtuutettuun Briggs & Stratton -huoltoilikeeseen, joka löytyy "Etsi lähin jälleenmyyjä" -työkalulla osoitteesta BRIGGSandSTRATTON.COM. Voit myös soittaa numeroon 1300 274 447 tai lähettää sähköpostia tai postia osoitteeseen salesenquires@briggsandstratton.com.au, Briggs & Stratton Australia Pty Ltd, 1 Moorebank Avenue, Moorebank, NSW, Australia, 2170.

Takuu-aika alkaa sillä päivämäärällä, jolloin ensimmäinen kuluttaja tai kaupallinen loppukäyttäjä ostaa laitteen. Takuu on voimassa yllä olevassa taulukossa mainitun takuuajan. "Kuluttajakäytöllä" tarkoitetaan vähittäisasiakkaan henkilökohtaista kotitalouskäyttöä. "Kaupallisella käytöllä" tarkoitetaan kaikkea muuta käyttöä, kuten käyttöä kaupalliseen toimintaan, tulonhankintaan tai vuokraukseen. Jos moottori on ollut kaupallisessa käytössä, sitä pidetään sen jälkeen kaupalliseen käyttöön tarkoitettuna moottorina tämän takuun osalta.

Briggs & Stratton -tuotteiden takuu ei edellytä takuun rekisteröintiä erikseen. Säilytä kuitti todistena ostosta. Mikäli laitteen alkuperäistä ostopäivää ei pystytä osoittamaan takuuhuollon pyytämisen hetkellä, tuotteen valmistuspäivä katsotaan takuuajan alkamispäiväksi.

Takuehdot

Tämä takuu kattaa vain moottoriin liittyvät vialliset materiaalit ja/tai työvirheet eikä mitään vaihto-osia eikä korvausta laitteesta, johon moottori on kiinnitetty. Tämä takuu ei kata säännöllisesti suoritettavia huoltotoimenpiteitä, virityksiä, säätöjä tai tavallista kulumista. Takuu ei myöskään ole voimassa siinä tapauksessa, että moottoria on muunneltu tai moottorin sarjanumero on sotkettu tai poistettu. Tämä takuu ei kata moottorin vahinkoja tai suorituskyöngelmiä, jotka ovat aiheutuneet seuraavista syistä:

- Muiden Briggs & Stratton kuin alkuperäisten -osien käyttö;
- Moottorin käyttäminen riittämättömän öljymäärän, likaantuneen öljyn tai väärän öljyalaadun kanssa;
- likaantuneen tai vanhan polttoaineen käyttö, etanolilla käsitellyn bensiinin, jonka etanolipitoisuus on yli 10 % tai vaihtoehtoisten polttoaineiden, kuten nestekaasun tai maakaasun käyttö moottoreissa, joita Briggs & Stratton ei ole alun perin suunnitellut/valmistanut toimimaan sellaisilla polttoaineilla
- lika, joka on päässyt moottoriin, koska ilmansuodatin on huollettu tai koottu uudelleen väärin
- Pyörivän ruohonleikkurin leikkausterän iskeytyminen johonkin esineeseen, löysät tai väärin asennetut teränsäkiinnikkeet, tuulettimet tai muut kampiakseliin kytketyt laitteet tai kiilahihnan liiallinen kireys;
- moottoriin liittyvät osat tai kokoonpanot, kuten kytkimet, voimansiirto, laitteiston ohjaimet jne., jotka eivät ole Briggs & Stratton toimittamia
- Ylikuumentuminen, joka johtuu leikkujätteistä, liasta ja roskista tai jyräsiöiden pesistä, jotka tukkivat jäähdytysripojen tai juoksupyörän alueen, tai moottorin käyttämisestä ilman riittävää ilmanvaihtoa;
- Liiallinen tärinä, joka johtuu ylikierroksista, moottorin löysästä kiinnityksestä, löysistä tai epätasapainossa olevista tuulettimista tai laitteen osien vääränlaisesta kiinnityksestä kampiakseliin;
- Laitteiston väärinkäyttö, säännöllisen kunnossapidon laiminlyönti, kuljetus, käsittely tai varastointi tai moottorin väärä asennus.

Takuuhuoltoa on saatavilla ainoastaan valtuutetuista Briggs & Stratton -huoltoilikeistä. Lähimmän valtuutetun huoltoilikeen löydät jälleenmyyjäkartalta osoitteesta BRIGGSandSTRATTON.COM tai soittamalla numeroon 1-800-444-7774 (Yhdysvalloissa).

80114782 (Versio A)

Informations Généralités



Ce manuel contient des informations de sécurité concernant les dangers et risques liés au moteur, ainsi que la manière de les éviter. Il contient également toutes les consignes de fonctionnement et d'entretien de ce moteur. Il est important de lire, comprendre et suivre ces instructions. **Conserver ce manuel pour référence ultérieure.**

REMARQUE : Les figures et illustrations de ce manuel sont fournies seulement à titre d'information. Elles peuvent différer selon le modèle de votre appareil. Suivre les figures qui correspondent à la configuration de votre moteur. Contacter un réparateur agréé si nécessaire.

Pour obtenir des pièces de rechange, noter la date d'achat, ainsi que le modèle, le type, la coupe et le numéro de série du moteur. Ces numéros sont situés sur le moteur. Consulter la section **Fonctions et commandes**.

Date d'achat	
Modèle – Type – Coupe du moteur	
Numéro de série du moteur	

Coordonnées de contact du bureau européen

Pour toute question concernant les émissions européennes, veuillez contacter notre bureau européen, situé à l'adresse :

Max-Born-Straße 2, 68519 Viernheim, Allemagne.

Étape V (5) de l'Union Européenne (UE) : Taux de dioxyde de carbone (CO2)

Saisir « CO2 » dans la fenêtre de recherche du site BriggsandStratton.com pour trouver les taux de dioxyde de carbone des moteurs Briggs & Stratton avec les certificats d'approbation pour l'UE.

Informations de recyclage



Recyclez l'ensemble des cartons, boîtes, huiles usagées et piles conformément aux réglementations gouvernementales.

Sécurité de l'utilisateur

Symboles de sécurité et mots-indicateurs



Le symbole de sécurité identifie les informations de sécurité relatives aux dangers pouvant entraîner des blessures. Les mots-indicateurs (**DANGER**, **AVERTISSEMENT** ou **ATTENTION**) sont utilisés pour indiquer la probabilité et la gravité potentielle des blessures. En outre, un symbole de danger est utilisé pour représenter le type de danger.

DANGER indique un danger qui, si non évité, **entraînera** la mort ou une blessure grave.

AVERTISSEMENT indique un danger qui, si non évité, **peut** entraîner la mort ou une blessure grave.

ATTENTION indique un danger qui, si non évité, **pourrait** causer des blessures mineures ou modérées.

AVIS indique les informations considérées comme importantes, mais non relatives aux dangers.

Symboles de risque et leurs significations

	Informations de sécurité relatives aux dangers pouvant provoquer des dommages corporels.		Lire attentivement le contenu du manuel de l'utilisateur avant de faire fonctionner l'appareil ou d'intervenir dessus.
	Danger d'incendie		Danger d'explosion

	Risque de décharge électrique		Danger de fumées toxiques
	Danger de surface chaude		Danger d'effet de recul
	Risque d'amputation - pièces mobiles		Niveau de carburant - Maximum Ne pas trop remplir le réservoir

Messages de sécurité



AVERTISSEMENT

Les moteurs Briggs & Stratton® ne sont pas conçus pour les équipements suivants et ne doivent pas être utilisés pour les alimenter : karts de loisir ; karts de course ; véhicules de loisir pour les enfants et de sport tous-terrains (ATVs) ; motocycles ; aéroglisseurs ; engins aériens ; ou véhicules utilisés lors de compétitions non approuvées par Briggs & Stratton. Pour plus d'informations concernant les produits destinés à la compétition, consulter www.briggsracing.com. Pour une utilisation avec des véhicules tout terrain utilitaires et côte à côte, veuillez contacter le Centre d'application de puissance Briggs & Stratton, au 1-866-927-3349. Une utilisation incorrecte du moteur pourrait entraîner la mort ou de graves blessures.



AVERTISSEMENT

Le carburant et ses vapeurs sont inflammables et explosifs. Les incendies ou les explosions peuvent entraîner de graves brûlures, voire la mort.

Lorsque de l'ajout de carburant

- Arrêter le moteur. Avant de retirer le bouchon du réservoir de carburant, attendre au moins deux (2) minutes pour s'assurer que le moteur est froid.
- Remplir le réservoir de carburant à l'extérieur ou dans un endroit bien aéré.
- Ne pas trop verser de carburant dans le réservoir. Pour permettre l'expansion du carburant, ne pas dépasser le bas du col de remplissage du réservoir en effectuant le plein.
- Garder le carburant loin des étincelles, des flammes nues, des lampes témoins, de chaleur et d'autres sources d'inflammation.
- Inspecter fréquemment les conduites de carburant, le réservoir de carburant, le bouchon de carburant et les connexions pour vérifier la présence de fissures ou de fuites. Remplacer les pièces endommagées.
- Si du carburant se répand, attendre jusqu'à ce qu'il sèche avant de mettre le moteur en marche.

Lorsque vous mettez le moteur en marche

- S'assurer que la bougie d'allumage, le silencieux, le bouchon du réservoir de carburant et le filtre à air (si équipé) sont correctement installés.
- Lorsque la bougie d'allumage est enlevée, ne mettez pas en marche le moteur.
- Si le moteur est noyé, mettre le starter (si équipé) en position OUVERT ou MARCHE. Déplacer l'accélérateur en position RAPIDE (si prévu) et faire tourner la manivelle jusqu'à ce que le moteur démarre.
- En cas de fuite de gaz naturel ou de GPL dans les environs, ne pas mettre le moteur en marche.
- Ne pas utiliser de fluides de démarrage sous pression, car les vapeurs sont inflammables.

Lorsque vous utilisez l'équipement

- Ne pas basculer le moteur ou l'équipement à un angle qui risquerait de faire couler de l'essence.
- Ne pas actionner le starter éventuellement présent, pour arrêter le moteur.
- Ne pas démarrer et faire fonctionner le moteur sans le préfiltre à air (le cas échéant) ou le filtre à air (le cas échéant).

Lors de l'entretien

- Si vous vidangez l'huile par le bouchon de remplissage supérieur, le réservoir de carburant doit être vide. S'il n'est pas vide, une fuite éventuelle pourrait provoquer un incendie, voire une explosion.
- S'il est nécessaire d'incliner l'unité lors de l'entretien et que le réservoir de carburant est monté sur le moteur, vérifier que ce dernier est vide et que le côté de la bougie est relevé. Si le réservoir de carburant n'est pas vide, une fuite éventuelle pourrait provoquer un incendie, voire une explosion.
- Inspecter fréquemment les conduites de carburant, le réservoir de carburant, le bouchon de carburant et les connexions pour vérifier la présence de fissures ou de fuites. Remplacer les pièces endommagées.

- Ne pas intervenir sur le ressort du régulateur de vitesse, les tringles ou d'autres pièces pour augmenter le régime du moteur.
- Ne pas frapper sur le volant moteur avec un marteau ou un objet dur. Cela pourrait entraîner une défaillance du volant moteur pendant le fonctionnement.
- Les pièces de rechange doivent être les mêmes et installées dans la même position que celles d'origine. Les autres pièces pourraient entraîner des dommages ou des blessures.

Lorsque vous déplacez l'équipement

- Assurez-vous que le réservoir de carburant est VIDE ou que le robinet d'arrêt de carburant est en position FERMÉ.

Lors de l'entreposage de carburant ou de la machine avec du carburant dans le réservoir

- Les entreposer loin des chaudières, cuisinières, chauffe-eaux ou tout autre appareil comportant une veilleuse ou une source susceptible de produire une étincelle, car ils pourraient provoquer une explosion.



AVERTISSEMENT

Le carburant et ses vapeurs sont inflammables et explosifs. Les incendies ou les explosions peuvent entraîner de graves brûlures, voire la mort.

Le démarrage du moteur provoque une étincelle pouvant entraîner un incendie ou une explosion.

- En cas de fuite de gaz naturel ou de GPL dans les environs, ne pas mettre le moteur en marche.
- Ne pas utiliser de fluides de démarrage sous pression, car les vapeurs sont inflammables.



AVERTISSEMENT

RISQUE LIÉ AUX GAZ TOXIQUES. Les gaz d'échappement du moteur contiennent du monoxyde de carbone, un gaz toxique qui peut vous tuer en quelques minutes. Même si vous ne sentez pas l'odeur des gaz d'échappement, vous courez toujours le risque de respirer du monoxyde de carbone, ce qui est dangereux pour la santé. Si vous commencez à vous sentir malade, pris(e) de vertiges ou faible lorsque vous utilisez ce produit, coupez le moteur et allez vous aérer IMMÉDIATEMENT. Consultez un médecin. Il se peut que vous soyez victime d'un empoisonnement au monoxyde de carbone.

- Le monoxyde de carbone peut s'accumuler dans les espaces occupés. Utilisez cet équipement UNIQUEMENT à l'extérieur et en vous tenant éloigné(e) des fenêtres, portes et ouvertures d'aération pour réduire le risque lié au monoxyde de carbone.
- Installez des alarmes à monoxyde de carbone fonctionnant à piles ou alimentées par câble avec batterie de secours, selon les indications du fabricant. Les détecteurs de fumée ne peuvent pas déceler la présence de monoxyde de carbone.
- NE PAS faire fonctionner cette machine à l'intérieur de maisons, de garages, de sous-sols, de vides sanitaires, de remises de jardin ou d'autres espaces confinés, même si des ventilateurs, des portes ou des fenêtres ouvertes facilitent l'aération. Après le fonctionnement de la machine, le monoxyde de carbone peut rapidement s'accumuler dans ces espaces et y rester pendant plusieurs heures.
- Disposer TOUJOURS cet équipement dans le sens du vent et orienter l'échappement du moteur dans la direction opposée aux espaces occupés.



AVERTISSEMENT

L'enroulement rapide de la corde du démarreur (effet de recul) aura pour effet de tirer la main et le bras vers le moteur en moins de temps qu'il ne le faut pour réaliser, ce qui peut entraîner des fractures, des hématomes ou des foulures.

- Pour éviter cet effet de recul lors de la mise en marche du moteur, tirer lentement le cordon du démarreur jusqu'à sentir une résistance, puis tirer d'un coup sec.
- Retirer toute charge extérieure à l'équipement ou au moteur avant de le mettre en marche.
- Vérifier que les éléments à entraînement direct tels que, de manière non exhaustive, les lames de coupe, les pompes, les poulies et les pignons, sont solidement fixés.



AVERTISSEMENT

Les pièces rotatives peuvent saisir les mains, les pieds, les cheveux, les vêtements ou les accessoires, et entraîner une amputation ou une lacération traumatique.

- Utiliser l'équipement avec les protections fixées de manière adéquate.
- Tenez mains et pieds éloignés des pièces en rotation.
- Retirer les bijoux et garder les cheveux longs à l'écart de toutes les pièces rotatives.
- Ne portez pas de vêtements amples ou d'articles qui pourraient être saisis.



AVERTISSEMENT

Pendant le fonctionnement, le moteur et le silencieux deviennent chauds. Si vous touchez un moteur chaud, vous risquez de vous brûler.

Les débris combustibles, tels que les feuilles, l'herbe et les broussailles peuvent prendre feu.

- Avant de toucher le moteur ou le silencieux, arrêter le moteur et attendre deux (2) minutes. Vérifier que le moteur et le silencieux peuvent être touchés en toute sécurité.
- Retirer les débris du silencieux et du moteur.

L'utilisation ou le fonctionnement du moteur sur des terrains forestiers, broussailleux ou herbeux constitue une violation de la Section 4442 du Code des ressources publiques de Californie (California Public Resource Code), à moins que le système d'échappement ne soit équipé d'un pare-étincelles, comme le stipule cette Section 4442, maintenu en bon état de marche. D'autres États ou juridictions fédérales peuvent avoir des lois similaires ; référence Federal Regulation 36 CFR Part 261.52. Contacter le fabricant d'équipements d'origine, le détaillant ou le revendeur de l'équipement pour obtenir un pare-étincelles conçu pour le système d'échappement installé sur ce moteur.



AVERTISSEMENT

Une étincelle accidentelle du moteur peut provoquer une électrocution, un incendie, une explosion, un accrochage, une amputation traumatique ou une lacération.

Avant d'effectuer des réglages ou des réparations :

- Débrancher tous les fils de la bougie et les tenir à l'écart de la bougie.
- Débrancher le câble de la batterie de la borne de masse (uniquement pour les moteurs à démarrage électrique).
- Utiliser uniquement des outils appropriés.

Lorsque vous vérifiez la présence d'une étincelle :

- Utiliser un vérificateur de bougie d'allumage approuvé.
- Ne pas vérifier la présence d'étincelle si la bougie a été déposée.



AVERTISSEMENT

Les vapeurs de carburant sont inflammables et explosives. Les incendies ou les explosions peuvent entraîner de graves brûlures, voire la mort.

Si vous sentez une odeur de gaz

- Ne pas démarrer le moteur.
- Ne pas activer pas les interrupteurs électriques.
- Ne pas utiliser de téléphone à proximité.
- Évacuer la zone.
- Contacter le fournisseur de gaz ou les pompiers.

Fonctions et commandes

Commandes du moteur









Comparer les lettres de référence des Figures 1, 2, 3 et 4 avec les commandes du moteur dans la liste suivante :

- Numéros d'identification du moteur **Modèle - Type - Code**
- Bougie
- Filtre à air (sans réservoir de carburant)
- Filtre à air (avec réservoir de carburant)
- Jauge
- Orifice de remplissage d'huile
- Filtre à huile (si installé)
- Bouchon de vidange de l'huile
- Sonde de pression d'huile

- J. Protège-doigts
- K. Démarreur électrique
- L. Démarrage à rappel (si installé)
- M. Carburateur - Modèles équipés d'un carburateur
- N. Silencieux
- O. Pompe à carburant
- P. Commutateur de démarrage¹
- Q. Commande des gaz¹
- R. Commande de starter¹
- S. Filtre à carburant (si installé)
- T. Réservoir de carburant
- U. Robinet d'arrêt de carburant (si installé)¹
- V. Commutateur d'arrêt (si installé)¹
- W. Refroidisseur d'huile (si installé)
- X. Module de pompe à carburant - Modèles EFI
- Y. Module de commande électronique - Modèles EFI
- Z. Injecteur de carburant - Modèles EFI

¹ Certains moteurs et équipements disposent de télécommandes. Se reporter au manuel de l'équipement pour connaître l'emplacement et l'utilisation des commandes à distance.

Symboles des commandes du moteur et significations

 Régime moteur - RAPIDE	 Régime moteur - LENT
 Régime moteur - ARRÊT	 MARCHE - ARRÊT
 Démarrage du moteur Starter « FERMÉ »	 Démarrage du moteur Starter « OUVERT »
 Bouchon de carburant Robinet de carburant OUVERT	 Robinet de carburant FERMÉ

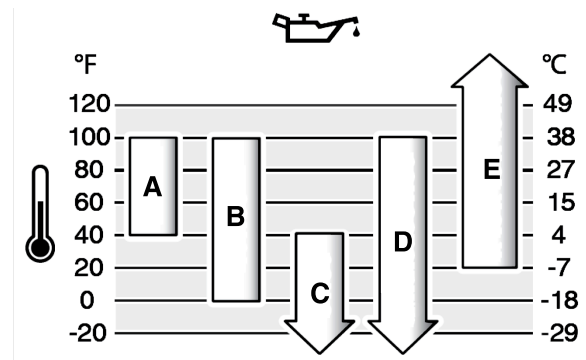
Fonctionnement

Recommandations concernant l'huile

Capacité d'huile : Se reporter à la section *Spécifications*.

Nous recommandons l'utilisation d'huiles garanties et certifiées Briggs & Stratton® pour obtenir les meilleures performances. D'autres huiles détergentes de haute qualité sont acceptables si elles sont de catégorie SF, SG, SH, SJ ou supérieure. Ne pas utiliser d'additifs spéciaux.

Utiliser le tableau pour sélectionner la meilleure viscosité pour la plage de températures extérieures prévues. Les moteurs de la plupart des équipements d'alimentation extérieurs fonctionnent bien avec de l'huile synthétique 5W-30. Pour les équipements utilisés par grande chaleur, l'huile synthétique Vanguard® 15W-50 offre la meilleure protection.



A	SAE 30 - À une température inférieure à 40 °F (4 °C), l'utilisation de SAE 30 entraînera un démarrage du moteur difficile.
B	10W-30 - Au-dessus de 80 °F (27 °C), l'utilisation d'huile 10W-30 peut augmenter la consommation d'huile. Vérifier le niveau d'huile fréquemment.
C	5W-30
D	5W-30 synthétique
E	Vanguard® Synthétique 15W-50

Vérifier le niveau d'huile

Avant de vérifier ou d'ajouter de l'huile

- Veiller à ce que le moteur soit sur une surface plane.
- Débarrasser les débris de la zone de remplissage d'huile.
- Se reporter à la section *Spécifications* pour la capacité d'huile.

AVIS

Ce moteur est livré sans huile par Briggs & Stratton. Les fabricants d'équipements ou les concessionnaires pourraient avoir ajouté de l'huile au moteur. Vérifier le niveau d'huile avant de mettre le moteur en marche pour la première fois. Ajouter de l'huile en suivant les instructions de ce manuel. S'il est mis en marche sans huile, le moteur sera endommagé et ne sera pas couvert par la garantie.

1. Retirer la jauge (A, Figure 5) et l'essuyer avec un chiffon.
2. Remettre la jauge en place et la serrer (A, Figure 5).
3. Retirer la jauge d'huile et vérifier le niveau d'huile. Vérifier que le niveau d'huile atteint le haut du repère plein (B, Figure 5) sur la jauge.
4. Si le niveau d'huile est insuffisant, verser doucement de l'huile dans l'orifice de remplissage du moteur (C, Figure 5). Ne pas ajouter trop d'huile.
5. Attendre une minute et vérifier à nouveau le niveau d'huile. S'assurer que le niveau d'huile est approprié.
6. Remettre la jauge en place et la serrer (A, Figure 5).

Système de protection contre le manque d'huile (s'il est installé)

Un capteur de niveau d'huile bas est installé sur certains moteurs. Si le niveau d'huile est insuffisant, le capteur active un voyant d'avertissement ou arrête le moteur. Arrêter le moteur et procéder comme décrit ci-dessous avant de remettre en marche le moteur.

- Veiller à ce que le moteur soit sur une surface plane.
- Faites une vérification d'huile. Se reporter à la section *Vérification du niveau d'huile*.
- Si le niveau d'huile est insuffisant, faire l'appoint avec la quantité d'huile nécessaire. Mettre le moteur en marche et s'assurer que le voyant d'avertissement (s'il est installé) ne s'allume pas.
- Si le niveau d'huile est correct, ne pas faire démarrer le moteur. Contacter un réparateur agréé Briggs & Stratton pour corriger le problème d'huile.

Recommandations concernant le carburant

Le carburant doit répondre à ces exigences :

- Essence sans plomb, propre et fraîche.
- Au minimum 87 octanes/87 AKI (91 RON). Utilisation en haute altitude, voir ci-dessous.
- L'essence contenant jusqu'à 10 % d'éthanol (alcool fabriqué à partir de grain) est autorisée.

AVIS

Ne pas utiliser d'essence non approuvée telle que l'E15 ou l'E85. Ne pas mélanger de l'huile au carburant et ne pas modifier le moteur afin qu'il puisse fonctionner avec d'autres carburants. L'utilisation de carburants non approuvés peut endommager les composants du moteur, ce qui n'est pas couvert par la garantie.

Pour empêcher la formation de gomme et de corrosion dans le circuit d'alimentation, ajouter un stabilisateur de carburant sans alcool et un traitement éthanol au carburant. Se reporter à la section *Entreposage*. Tous les carburants ne sont pas identiques.

Si des problèmes de démarrage ou de performance se produisent, changer de fournisseur de carburant ou de marque. Ce moteur est certifié pour fonctionner à l'essence. Le système de contrôle des émissions pour les moteurs à carburateur est EM (Modifications du moteur). Les systèmes de contrôle des émissions pour les moteurs à injection électronique de carburant sont : ECM (module de contrôle moteur), MFI (injection multipoint de carburant), TBI (injection de carburant par corps de papillon) et, si équipée, une O2S (sonde d'oxygène).

Haute altitude

À des altitudes supérieures à 5 000 pieds (1524 mètres), de l'essence d'au minimum 85 octane/85 AKI (89 RON) est autorisée.

Pour les moteurs à carburateur, il est nécessaire d'effectuer un réglage pour hautes altitudes pour maintenir son rendement. Faire fonctionner le moteur sans ce réglage donnera lieu à des performances moindres, une consommation de carburant supérieure et une augmentation des émissions. Contacter un réparateur agréé Briggs & Stratton pour davantage d'informations sur les réglages pour haute altitude. Il n'est pas recommandé de faire fonctionner le moteur à des altitudes inférieures à 2 500 pieds (762 mètres) si le réglage haute altitude est activé.

Il n'est pas nécessaire de faire un ajustement pour haute altitude sur les moteurs à injection électronique de carburant (EFI).

Ajout de carburant



AVERTISSEMENT

Le carburant et ses vapeurs sont inflammables et explosifs. Les incendies ou les explosions peuvent entraîner de graves brûlures, voire la mort.

Lorsque de l'ajout de carburant

- Arrêter le moteur. Avant de retirer le bouchon du réservoir de carburant, attendre au moins deux (2) minutes pour s'assurer que le moteur est froid.
- Remplir le réservoir de carburant à l'extérieur ou dans un endroit bien aéré.
- Ne pas trop verser de carburant dans le réservoir. Pour permettre l'expansion du carburant, ne pas dépasser le bas du col de remplissage du réservoir en effectuant le plein.
- Garder le carburant loin des étincelles, des flammes nues, des lampes témoins, de chaleur et d'autres sources d'inflammation.
- Inspecter fréquemment les conduites de carburant, le réservoir de carburant, le bouchon de carburant et les connexions pour vérifier la présence de fissures ou de fuites. Remplacer les pièces endommagées.
- Si du carburant se répand, attendre jusqu'à ce qu'il sèche avant de mettre le moteur en marche.

1. Nettoyer la zone autour du bouchon du réservoir en enlevant toute la poussière et les débris. Retirer le bouchon d'essence.
2. Remplir le réservoir (A, Figure 6) avec du carburant. Pour permettre au carburant de se détendre, ne dépassez pas la base du col du réservoir de carburant en le remplissant (B).
3. Replacer le bouchon de réservoir de carburant.

Mise en marche du moteur



AVERTISSEMENT

Une étincelle accidentelle du moteur peut provoquer une électrocution, un incendie, une explosion, un accrochage, une amputation traumatique ou une lacération.

Avant d'effectuer des réglages ou des réparations :

- Débrancher tous les fils de la bougie et les tenir à l'écart de la bougie.
- Débrancher le câble de la batterie de la borne de masse (uniquement pour les moteurs à démarrage électrique).
- Utiliser uniquement des outils appropriés.

Lorsque vous vérifiez la présence d'une étincelle :

- Utiliser un vérificateur de bougie d'allumage approuvé.
- Ne pas vérifier la présence d'étincelle si la bougie a été déposée.



AVERTISSEMENT

L'enroulement rapide de la corde du démarreur (effet de recul) aura pour effet de tirer la main et le bras vers le moteur en moins de temps qu'il ne le faut pour réaliser, ce qui peut entraîner des fractures, des hématomes ou des foulures.

- Pour éviter cet effet de recul lors de la mise en marche du moteur, tirer lentement le cordon du démarreur jusqu'à sentir une résistance, puis tirer d'un coup sec.
- Retirer toute charge extérieure à l'équipement ou au moteur avant de le mettre en marche.
- Vérifier que les éléments à entraînement direct tels que, de manière non exhaustive, les lames de coupe, les pompes, les poulies et les pignons, sont solidement fixés.



AVERTISSEMENT

RISQUE LIÉ AUX GAZ TOXIQUES. Les gaz d'échappement du moteur contiennent du monoxyde de carbone, un gaz toxique qui peut vous tuer en quelques minutes. Même si vous ne sentez pas l'odeur des gaz d'échappement, vous courez toujours le risque de respirer du monoxyde de carbone, ce qui est dangereux pour la santé. Si vous commencez à vous sentir malade, pris(e) de vertiges ou faible lorsque vous utilisez ce produit, coupez le moteur et allez vous aérer IMMÉDIATEMENT. Consultez un médecin. Il se peut que vous soyez victime d'un empoisonnement au monoxyde de carbone.

- Le monoxyde de carbone peut s'accumuler dans les espaces occupés. Utilisez cet équipement UNIQUEMENT à l'extérieur et en vous tenant éloigné(e) des fenêtres, portes et ouvertures d'aération pour réduire le risque lié au monoxyde de carbone.
- Installez des alarmes à monoxyde de carbone fonctionnant à piles ou alimentées par câble avec batterie de secours, selon les indications du fabricant. Les détecteurs de fumée ne peuvent pas déceler la présence de monoxyde de carbone.
- NE PAS faire fonctionner cette machine à l'intérieur de maisons, de garages, de sous-sols, de vides sanitaires, de remises de jardin ou d'autres espaces confinés, même si des ventilateurs, des portes ou des fenêtres ouvertes facilitent l'aération. Après le fonctionnement de la machine, le monoxyde de carbone peut rapidement s'accumuler dans ces espaces et y rester pendant plusieurs heures.
- Disposer TOUJOURS cet équipement dans le sens du vent et orienter l'échappement du moteur dans la direction opposée aux espaces occupés.

AVIS

Ce moteur est livré sans huile par Briggs & Stratton. Les fabricants d'équipements ou les concessionnaires pourraient avoir ajouté de l'huile au moteur. Vérifier le niveau d'huile avant de mettre le moteur en marche pour la première fois. Ajouter de l'huile en suivant les instructions de ce manuel. S'il est mis en marche sans huile, le moteur sera endommagé et ne sera pas couvert par la garantie.

REMARQUE : Votre équipement pourrait s'accompagner de télécommandes. Se reporter au manuel de l'équipement pour connaître l'emplacement et l'utilisation des commandes à distance.

Types de systèmes de démarrage

Avant de mettre le moteur en marche, vous devez déterminer le type de système de démarrage dont il est équipé. Votre moteur est équipé de l'un de ces systèmes.

- **Système d'injection électronique (Electronic Fuel Injection, EFI) :** Un système EFI ne comporte ni starter manuel ni système amorceur.
- **Système de injection électronique :** Un système de gestion électronique du carburant dispose d'une unité de commande électronique qui surveille le moteur et la température. Il n'a ni starter manuel ni amorceur.
- **Système de starter :** Ce type de système dispose d'un starter pour les températures froides. Certains modèles sont équipés d'une commande de starter séparée, et d'autres d'une commande combinée starter et gaz. Ce type de moteur ne comporte pas d'amorceur.

Système d'injection électronique de carburant (Electronic Fuel Injection, EFI)

1. Vérifier le niveau d'huile du moteur. Se reporter à la section **Vérification du niveau d'huile**.
2. S'assurer que les commandes d'entraînement de l'équipement, si présentes, sont débrayées.
3. Amener le robinet d'essence (A, Figure 7) éventuellement présent en position OUVERT.
4. Appuyer sur le commutateur d'arrêt (F, Figures 7, 8), si installé, pour l'amener en position MARCHÉ.
5. Amener la commande des gaz éventuellement présente (B, Figure 8) en position RAPIDE. Faites fonctionner le moteur en position RAPIDE.
6. **Lanceur, si équipé d'un contacteur à clé :** Tourner le contacteur à clé (D, Figures 7, 8) en position MARCHÉ.

7. **Démarrage à rappel, si équipé** : Tenir fermement la poignée du cordon du démarreur (E, Figures 7, 8). Tirer lentement sur la poignée du cordon du démarreur jusqu'à sentir une résistance, puis tirer rapidement.



AVERTISSEMENT

Une rétraction rapide du cordon du démarreur (effet de recul) entraînera votre main et votre bras vers le moteur plus rapidement que souhaité. Des os cassés, des fractures, des blessures ou des foulures peuvent en résulter. Pour éviter cet effet de recul lors de la mise en marche du moteur, tirer lentement le cordon du démarreur jusqu'à sentir une résistance, puis tirer d'un coup sec.

8. **Démarrage électrique, si présent** : Tourner le commutateur de démarrage électrique (D, Figures 7, 8) en position MARCHE ou DÉMARRAGE.

AVIS Pour prolonger la durée de vie du démarreur, utiliser des cycles de démarrage courts (cinq secondes au maximum). Attendre une minute entre les cycles de démarrage.

Si le moteur ne démarre pas après 3 ou 4 essais, contacter le concessionnaire le plus proche vanguardpower.com ou appeler le 1-800-999-9333.

Système de gestion électronique du carburant

1. Vérifier le niveau d'huile du moteur. Se reporter à la section *Vérification du niveau d'huile*.
2. S'assurer que les commandes d'entraînement de l'équipement, si présentes, sont débrayées.
3. Amener le robinet d'essence (A, Figure 7) éventuellement présent en position OUVERT.
4. Appuyer sur le commutateur d'arrêt (F, Figures 7, 8), si installé, pour l'amener en position MARCHE.
5. Amener la commande des gaz éventuellement présente (B, Figure 8) en position RAPIDE. Faites fonctionner le moteur en position RAPIDE.
6. **Lanceur, si équipé d'un contacteur à clé** : Tourner le contacteur à clé (D, Figures 7, 8) en position MARCHE.
7. **Démarrage à rappel, si équipé** : Tenir fermement la poignée du cordon du démarreur (E, Figures 7, 8). Tirer lentement sur la poignée du cordon du démarreur jusqu'à sentir une résistance, puis tirer rapidement.



AVERTISSEMENT

Une rétraction rapide du cordon du démarreur (effet de recul) entraînera votre main et votre bras vers le moteur plus rapidement que souhaité. Des os cassés, des fractures, des blessures ou des foulures peuvent en résulter. Pour éviter cet effet de recul lors de la mise en marche du moteur, tirer lentement le cordon du démarreur jusqu'à sentir une résistance, puis tirer d'un coup sec.

8. **Démarrage électrique, si présent** : Tourner le commutateur de démarrage électrique (D, Figures 7, 8) en position MARCHE ou DÉMARRAGE.

AVIS Pour prolonger la durée de vie du démarreur, utiliser des cycles de démarrage courts (cinq secondes au maximum). Attendre une minute entre les cycles de démarrage.

Si le moteur ne démarre pas après 3 ou 4 essais, contacter le concessionnaire le plus proche vanguardpower.com ou appeler le 1-800-999-9333.

Système de starter

1. Vérifier l'huile moteur. Se reporter à la section *Vérification et ajout d'huile*.
2. S'assurer que les commandes d'entraînement de l'équipement, si présentes, sont débrayées.
3. Amener le robinet d'essence (A, Figure 7) éventuellement présent en position OUVERT.
4. Appuyer sur le commutateur d'arrêt (F, Figures 7, 8), si installé, pour l'amener en position MARCHE.
5. Amener la commande d'accélération (B, Figures 7), si installée, en position RAPIDE. Faites fonctionner le moteur en position RAPIDE.
6. Amener la commande de starter (C, Figures 9, 10) en position FERMÉ.

REMARQUE : Habituellement, le starter n'est pas nécessaire pour démarrer un moteur chaud.

7. **Lanceur, si équipé d'un contacteur à clé** : Tourner le contacteur à clé (D, Figures 7, 8) en position MARCHE.
8. **Démarrage à rappel, si équipé** : Tenir fermement la poignée du cordon du démarreur (E, Figures 7, 8). Tirer lentement sur la poignée du cordon du démarreur (E) jusqu'à sentir une résistance, puis tirer rapidement.



AVERTISSEMENT

Une rétraction rapide du cordon du démarreur (effet de recul) entraînera votre main et votre bras vers le moteur plus rapidement que souhaité. Des os cassés, des fractures, des blessures ou des foulures peuvent en résulter. Pour éviter cet effet de recul lors de la mise en marche du moteur, tirer lentement le cordon du démarreur jusqu'à sentir une résistance, puis tirer d'un coup sec.

9. **Démarrage électrique, si installé** : Tourner le contacteur à clé (D, Figures 7, 8) pour le placer en position MARCHE ou DÉMARRAGE.

AVIS

Pour prolonger la durée de vie du démarreur, utiliser des cycles de démarrage courts (cinq secondes au maximum). Attendre une minute entre les cycles de démarrage.

10. À mesure que le moteur chauffe, amener la commande de starter (C, Figures 9, 10) en position OUVERT.

REMARQUE : Si le moteur ne démarre pas après 2 ou 3 tentatives, contacter votre revendeur local, consulter vanguardpower.com ou appeler le 1-800-999-9333.

Arrêter le moteur



AVERTISSEMENT

Le carburant et ses vapeurs sont inflammables et explosifs. Les incendies ou les explosions peuvent entraîner de graves brûlures, voire la mort.

- Ne pas actionner le starter éventuellement présent, pour arrêter le moteur.

1. **Commutateur d'arrêt, le cas échéant** : Déplacer le commutateur d'arrêt (F, Figure 11) en position ARRÊT.
2. **Contacteur à clé, si équipé** : Avec la commande d'accélération en position RALENTI, si installée, tourner le contacteur à clé (D, Figure 11) en position ARRÊT. Retirer la clé et la conserver dans un endroit sûr, hors de portée des enfants.
3. Après l'arrêt du moteur, amener le robinet d'essence éventuellement présent (A, Figure 11) en position FERMÉ.

Entretien

Informations relatives à l'entretien



AVERTISSEMENT

Le carburant et ses vapeurs sont inflammables et explosifs. Les incendies ou les explosions peuvent entraîner de graves brûlures, voire la mort.

S'il est nécessaire d'incliner l'unité lors de l'entretien et que le réservoir de carburant est monté sur le moteur, vérifier que ce dernier est vide et que le côté de la bougie est relevé. Si le réservoir de carburant n'est pas vide, une fuite éventuelle pourrait provoquer un incendie, voire une explosion. Si le moteur est incliné dans une direction différente, le démarrage risque d'être difficile à cause de la contamination du filtre à air ou de la bougie par l'huile ou le carburant.



AVERTISSEMENT

Une étincelle accidentelle du moteur peut provoquer une électrocution, un incendie, une explosion, un accrochage, une amputation traumatique ou une lacération.

Avant d'effectuer des réglages ou des réparations :

- Débrancher tous les fils de la bougie et les tenir à l'écart de la bougie.
- Débrancher le câble de la batterie de la borne de masse (uniquement pour les moteurs à démarrage électrique).
- Utiliser uniquement des outils appropriés.

Lorsque vous vérifiez la présence d'une étincelle :

- Utiliser un vérificateur de bougie d'allumage approuvé.
- Ne pas vérifier la présence d'étincelle si la bougie a été déposée.



AVERTISSEMENT

Les pièces de rechange doivent être les mêmes et installées dans la même position que celles d'origine. Les autres pièces pourraient entraîner des dommages ou des blessures.

AVIS

Tous les composants d'assemblage de ce moteur doivent rester en place pour un fonctionnement correct.

Consulter un réparateur agréé Briggs & Stratton pour l'entretien de votre moteur et de ses pièces.

Interventions concernant le contrôle des émissions

Pour l'entretien, le remplacement ou la réparation des dispositifs et des systèmes de contrôle des émissions d'échappement, contacter un établissement ou technicien spécialisé dans la réparation des moteurs autres que les moteurs automobiles. Néanmoins, pour obtenir un service de contrôle des émissions « gratuit », le travail doit être effectué par un revendeur autorisé. Se reporter à la déclaration sur le contrôle des émissions.

Calendrier d'entretien

Intervalles de 8 heures ou quotidiennement
<ul style="list-style-type: none">Contrôler le niveau d'huile moteur.Nettoyer autour du silencieux et des commandes.
Intervalles de 100 heures ou une fois par an
<ul style="list-style-type: none">Remplacer les bougies d'allumages.Changer l'huile moteur.Remplacer le filtre à huile (si installé).Entretien du filtre à air¹.Nettoyer le pré-dépoussiéreur (si installé)¹.Entretien du système d'échappement.
Intervalles de 250 heures ou une fois par an
<ul style="list-style-type: none">Vérifier le dégagement des soupapes. Ajustez-le au besoin.
Intervalles de 400 heures ou une fois par an
<ul style="list-style-type: none">Remplacer le filtre à air.Remplacer le filtre à carburant.Entretien du circuit de refroidissement¹.Nettoyer les ailettes de refroidissement d'huile¹.

¹ Nettoyer plus fréquemment dans un environnement poussiéreux ou si le nombre de particules dans l'air est élevé.

Système d'injection électronique de carburant (Electronic Fuel Injection, EFI)

Le système EFI surveille la température, la vitesse du moteur et la tension de la batterie pour le démarrage et la mise en température du moteur. Il n'y a aucun réglage sur le système. En cas de problème de démarrage ou de fonctionnement, contacter un réparateur technique agréé Briggs & Stratton.

AVIS Veiller à respecter les étapes ci-dessous sous peine d'endommager le système EFI.

- NE JAMAIS démarrer le moteur si les câbles de batterie sont desserrés.
- Mettre la clé en position ARRÊT avant de débrancher, retirer et/ou installer la batterie.
- NE PAS utiliser de chargeur de batterie pour démarrer le moteur.
- NE PAS débrancher les câbles de batterie pendant le fonctionnement du moteur.
- Pour brancher les câbles de batterie, connecter d'abord le câble positif (+) puis le câble négatif (-) à la batterie.
- Lorsque la batterie est en charge, mettre le contacteur en position ARRÊT et débrancher le câble négatif (-) de la batterie.
- NE PAS vaporiser d'eau directement sur le module de commande électronique.

Système de gestion électronique du carburant

Le système de gestion électronique du carburant surveille la température du moteur, le régime du moteur et la tension de la batterie, pour ajuster le starter pendant le démarrage et la mise en température du moteur. Il n'y a aucun réglage sur le système. En cas de problème de démarrage ou de fonctionnement, contacter un réparateur agréé Briggs & Stratton.

AVIS Veiller à suivre ces règles sous peine d'endommager le système de gestion électronique du carburant.

- NE JAMAIS démarrer le moteur si les câbles de batterie sont desserrés.
- Avant de connecter les câbles volants ou de déconnecter/reconnecter les câbles de batterie, mettre le contacteur en position ARRÊT. Lors du chargement de la batterie, mettre le contacteur en position ARRÊT.
- Pour déconnecter les câbles de batterie de la batterie, déconnecter d'abord le câble négatif (-), puis déconnecter le câble positif (+) de la batterie. Pour connecter les câbles de batterie à la batterie, connecter d'abord le câble positif (+), puis le câble négatif (-) à la batterie.
- NE PAS utiliser de chargeur de batterie pour démarrer le moteur.

- NE PAS débrancher les câbles de batterie pendant le fonctionnement du moteur.
- NE PAS vaporiser d'eau directement sur l'unité de commande électronique.

Carburateur et régime moteur

Ne pas effectuer de réglages sur le carburateur, le ressort du régulateur, les tringleries ou d'autres pièces pour ajuster le régime du moteur. Si des ajustements sont nécessaires, contacter un réparateur agréé Briggs & Stratton.

AVIS

Le fabricant d'équipement spécifie le régime maximal du moteur tel qu'installé sur l'équipement. Ne pas dépasser ce régime. En cas de doute quant au régime maximal pour l'équipement ou au régime moteur configuré en sortie d'usine, s'adresser à un réparateur agréé Briggs & Stratton. Pour garantir la sécurité et le bon fonctionnement de l'équipement, le régime moteur ne doit être réglé que par un technicien d'entretien qualifié.

Entretien de la bougie

Vérifier l'écartement des électrodes de la bougie (A, Figure 12) avec une jauge d'épaisseur (B). Régler l'écartement des électrodes de bougie au besoin. Remettre la bougie et la serrer au couple approprié. Pour les spécifications concernant l'écartement et le couple de serrage, se reporter à la section **Spécifications**.

Entretien du système d'échappement



AVERTISSEMENT Pendant le fonctionnement, le moteur et le silencieux deviennent chauds. Si vous touchez un moteur chaud, vous risquez de vous brûler.

Les débris combustibles, tels que les feuilles, l'herbe et les broussailles peuvent prendre feu.

- Avant de toucher le moteur ou le silencieux, arrêter le moteur et attendre deux (2) minutes. Vérifier que le moteur et le silencieux peuvent être touchés en toute sécurité.
- Retirer les débris du silencieux et du moteur.

L'utilisation ou le fonctionnement du moteur sur des terrains forestiers, broussailleux ou herbeux constitue une violation de la Section 4442 du Code des ressources publiques de Californie (California Public Resource Code), à moins que le système d'échappement ne soit équipé d'un pare-étincelles, comme le stipule cette Section 4442, maintenu en bon état de marche. D'autres États ou juridictions fédérales peuvent avoir des lois similaires ; référence Federal Regulation 36 CFR Part 261.52. Contacter le fabricant d'équipements d'origine, le détaillant ou le revendeur de l'équipement pour obtenir un pare-étincelles conçu pour le système d'échappement installé sur ce moteur.

Enlever tous les débris de la zone du silencieux et de la zone du cylindre. Inspecter le silencieux pour rechercher d'éventuelles fissures, traces de corrosion ou autres dommages. Retirer le déflecteur ou le pare-étincelles, le cas échéant, et inspecter s'ils sont endommagés ou obstrués par des dépôts de carbone. En cas de défaut constaté, remplacer les pièces défectueuses avant de réutiliser l'équipement.



AVERTISSEMENT Les pièces de rechange doivent être les mêmes et installées dans la même position que celles d'origine. Les autres pièces pourraient entraîner des dommages ou des blessures.

Vidange de l'huile moteur



AVERTISSEMENT Le carburant et ses vapeurs sont inflammables et explosifs. Les incendies ou les explosions peuvent entraîner de graves brûlures, voire la mort.

Pendant le fonctionnement, le moteur et le silencieux deviennent chauds. Si vous touchez un moteur chaud, vous risquez de vous brûler.

- Si vous vidangez l'huile par le bouchon de remplissage supérieur, le réservoir de carburant doit être vide. S'il n'est pas vide, une fuite éventuelle pourrait provoquer un incendie, voire une explosion.
- Avant de toucher le moteur ou le silencieux, arrêter le moteur et attendre deux (2) minutes. Vérifier que le moteur et le silencieux peuvent être touchés en toute sécurité.

L'huile de vidange est un déchet dangereux qui doit être éliminé de manière appropriée. Ne pas la jeter avec les déchets ménagers. Contacter les autorités locales, les centres de services ou les revendeurs pour savoir où se trouvent des installations d'élimination des déchets ou de recyclage.

Vidange de l'huile

1. Pendant que le moteur est ARRÊTÉ mais encore chaud, déconnecter le ou les câbles de bougies (D, Figure 13) et les maintenir à l'écart de la ou des bougies (E).
2. Retirer la jauge (A, Figures 14, 15).
3. Retirer le bouchon de vidange d'huile (F, Figures 16, 17). Récupérer l'huile dans un récipient adapté.
4. Remettre le bouchon de vidange d'huile en place et le serrer (F, Figures 16, 17).

Changer le filtre à huile, si installé

1. Vidanger l'huile du moteur. Se reporter à la section **Vidange de l'huile**.
2. Retirer le filtre à huile (G, Figures 18, 19) et le jeter correctement.
3. Avant d'installer le nouveau filtre à huile, lubrifier légèrement le joint statique du filtre à huile avec de l'huile propre.
4. Monter le filtre à huile manuellement jusqu'à ce que le joint statique soit en contact avec l'adaptateur du filtre à huile, puis resserrer le filtre à huile de ½ à ¾ de tour.
5. Ajouter de l'huile. Se reporter à la section **Ajout d'huile**.
6. Démarrer et faire fonctionner le moteur. Une fois que le moteur est chaud, vérifier s'il existe des fuites d'huile.
7. Arrêter le moteur. Vérifier que le niveau d'huile atteint le haut du repère plein sur la jauge. Se reporter à la section **Ajout d'huile**.

Ajout d'huile

- Veiller à ce que le moteur soit sur une surface plane.
 - Débarrasser tous les débris de la zone de remplissage d'huile.
 - Se reporter à la section **Spécifications** pour la capacité d'huile.
1. Retirer la jauge (A, Figures 20, 21). Utiliser un chiffon propre pour essuyer l'huile sur la jauge.
 2. Verser lentement l'huile par l'orifice de remplissage d'huile moteur (C, Figures 20, 21). **Ne pas trop remplir**. Attendre une minute et vérifier le niveau d'huile.
 3. Remettre la jauge en place et la resserrer (A, Figures 20, 21).
 4. Retirer la jauge d'huile et vérifier le niveau d'huile. Le niveau d'huile correct doit se situer en haut du repère plein (B, Figures 20, 21) sur la jauge.
 5. Remettre la jauge en place et la resserrer (A, Figures 20, 21).
 6. Reconnecter le ou les fils de bougie (D, Figure 20) sur la ou les bougies.

Entretien du filtre à air

AVERTISSEMENT

Les vapeurs de carburant sont inflammables et explosives. Les incendies ou les explosions peuvent entraîner de graves brûlures, voire la mort.

- Ne pas démarrer et faire fonctionner le moteur sans que le préfiltre à air (le cas échéant) ou le filtre à air (le cas échéant) soient en place.

AVIS

Ne pas utiliser d'air comprimé ou de solvants pour nettoyer le filtre. L'air comprimé pourrait endommager le filtre et les solvants peuvent le dissoudre.

Se reporter au **Calendrier d'entretien** pour connaître les prescriptions d'entretien.

Certains modèles sont équipés d'un pré-dépoussiéreur en option qui peut être lavé et réutilisé. Comparer les illustrations de ce manuel au type de filtre monté sur votre moteur.

1. **Modèles sans réservoir de carburant** : Ouvrir la ou les attaches (A, Figure 22) et déposer le couvercle (B).
2. **Modèles avec réservoir de carburant** : Retirer la ou les attaches (C, Figure 23) et le couvercle (D).
3. Retirer l'écrou (D, Figures 22, 23) et l'arrêt (E).
4. Retirer le filtre à air (F, Figures 22, 23).
5. Retirer le pré-dépoussiéreur (G, Figures 22, 23), si installé, du filtre à air (F).
6. Pour faire tomber les débris, tapoter doucement le filtre (F, Figures 22, 23) sur une surface dure. Si le filtre est sale, le remplacer par un filtre neuf.
7. Laver le pré-dépoussiéreur (G, Figures 22, 23), si installé, avec un détergent liquide et de l'eau. Laisser le préfiltre sécher complètement à l'air. **NE PAS** lubrifier le pré-dépoussiéreur.
8. Monter le pré-dépoussiéreur sec (G, Figures 22, 23), si installé, sur le filtre à air (F).
9. Monter le filtre à air (F, Figures 22, 23) et le fixer à l'aide de l'arrêt (E) et de l'écrou (D).
10. Remettre le couvercle (B, Figures 22, 23).

Entretien du circuit de carburant

AVERTISSEMENT

Le carburant et ses vapeurs sont inflammables et explosifs. Les incendies ou les explosions peuvent entraîner de graves brûlures, voire la mort.

- Garder le carburant loin des étincelles, des flammes nues, des lampes témoins, de chaleur et d'autres sources d'inflammation.
- Inspecter fréquemment les conduites de carburant, le réservoir de carburant, le bouchon de carburant et les connexions pour vérifier la présence de fissures ou de fuites. Remplacer les pièces endommagées.
- Si du carburant se répand, attendre jusqu'à ce qu'il sèche avant de mettre le moteur en marche.

Filtre à carburant, si installé

1. Avant de remplacer le filtre à carburant (A, Figure 24), vidanger le réservoir de carburant ou fermer le robinet de carburant. Si le réservoir de carburant n'est pas vidangé, une fuite de carburant peut se produire et provoquer un incendie ou une explosion.
2. Utiliser des pinces pour serrer les languettes (B, Figure 24) sur les colliers (C). Faire ensuite glisser les colliers loin du filtre à carburant (A).
3. Faire tourner et retirer les durites de carburant (D, Figure 24) du filtre à carburant.
4. Vérifier que les durites de carburant (D, Figure 24) ne présentent ni fissure ni fuite. Remplacer les durites de carburant si nécessaire.
5. Remplacer le filtre à carburant (A, Figure 24).
6. Fixer les durites de carburant (D, Figure 24) à l'aide de colliers de serrage (C).

Entretien du circuit de refroidissement

AVERTISSEMENT

Pendant le fonctionnement, le moteur et le silencieux deviennent chauds. Si vous touchez un moteur chaud, vous risquez de vous brûler.

Les débris combustibles, tels que les feuilles, l'herbe et les broussailles, peuvent prendre feu.

- Avant de toucher le moteur ou le silencieux, arrêter le moteur et attendre deux (2) minutes. Vérifier que le moteur et le silencieux peuvent être touchés en toute sécurité.
- Retirer les débris du silencieux et du moteur.

AVIS

Ne pas utiliser d'eau pour nettoyer le moteur. L'eau pourrait contaminer le circuit de carburant. Utiliser une brosse ou un chiffon sec pour nettoyer le moteur.

Ce moteur est refroidi par air. De la poussière ou des débris peuvent restreindre le débit d'air et entraîner une surchauffe du moteur, ce qui pourrait compromettre son rendement et abrégé sa durée de vie.

1. Utiliser une brosse ou un chiffon sec pour enlever les débris de la grille d'entrée d'air.
2. Garder les tringleries, ressorts et commandes en bon état de propreté.
3. Ne pas laisser de débris combustibles s'accumuler autour et derrière le silencieux d'échappement, si prévu.
4. Vérifier que les éventuelles ailettes du radiateur sont propres.

Avec le temps, des débris peuvent s'accumuler dans les ailettes de refroidissement du cylindre et entraîner une surchauffe du moteur. Ces débris ne sont pas visibles sans un démontage partiel du moteur. Pour cette raison, faire procéder par un réparateur agréé Briggs & Stratton à une inspection et à un nettoyage du circuit de refroidissement à air selon les prescriptions du **Calendrier d'entretien**.

Entreposage Circuit d'alimentation

Voir la Figure : 25.

AVERTISSEMENT

Le carburant et ses vapeurs sont inflammables et explosifs. Les incendies ou les explosions peuvent entraîner de graves brûlures, voire la mort.

Entreposage du carburant

- Les entreposer loin des chaudières, cuisinières, chauffe-eaux ou tout autre appareil comportant une veilleuse ou une source susceptible de produire une étincelle, car ils pourraient provoquer une explosion.

Maintenir le levier du moteur en position normale de fonctionnement. Faire le plein du réservoir de carburant (A, Figure 25). Pour permettre l'expansion du carburant, ne pas dépasser le col de remplissage du réservoir de carburant en faisant le plein (B).

Le carburant peut s'éventer s'il est conservé dans un réservoir de stockage pendant plus de 30 jours. L'utilisation d'un stabilisateur de carburant sans alcool et d'un traitement éthanol dans le réservoir de stockage du carburant est recommandée pour éviter la dégradation du carburant et maintenir toutes ses propriétés.

Lors du remplissage du réservoir avec le carburant, ajouter un stabilisateur de carburant sans alcool comme indiqué dans les instructions du fabricant. Si l'essence présente dans le moteur n'a pas été traitée avec un stabilisateur de carburant, elle doit être vidangée dans un récipient approuvé. Faire tourner le moteur jusqu'à ce qu'il n'y ait plus de carburant.

Huile de moteur

Pendant que le moteur est encore chaud, changer l'huile du moteur. Se référer à la section **Vérifier l'huile moteur**.

Dépannage

Assistance

Pour obtenir de l'aide, contacter votre revendeur local, consulter **BRIGGSandSTRATTON.COM** ou appeler le **1-800-444-7774** (aux États-Unis).

Spécifications

Spécifications et pièces de rechange

MODÈLES : 290000, 300000	
Cylindrée	29.23 ci (479 cc)
Alésage	2.677 po (68 mm)
Course	2.598 po (66 mm)
Capacité d'huile	46 - 48 oz (1,36 - 1,42 L)
Écartement des électrodes de bougie	.030 po (.76 mm)
Couple de serrage de bougie	180 lb-po (20 Nm)
Entrefer volant/bobine - Modèles de carburateurs	.008 - .012 po (.20 - .30 mm)
Dégagement de soupape d'admission	.004 - .006 po (.10 - .15 mm)
Dégagement de soupape d'échappement	.004 - .006 po (.10 - .15 mm)

MODÈLE : 350000	
Cylindrée	34.78 ci (570 cc)
Alésage	2.835 po (72 mm)
Course	2.756 po (70 mm)
Capacité d'huile	46 - 48 oz (1,36 - 1,42 L)
Écartement des électrodes de bougie	.030 po (.76 mm)
Couple de serrage de bougie	180 lb-po (20 Nm)
Entrefer volant/bobine - Modèles de carburateurs	.008 - .012 po (.20 - .30 mm)
Dégagement de soupape d'admission	.004 - .006 po (.10 - .15 mm)
Dégagement de soupape d'échappement	.004 - .006 po (.10 - .15 mm)

MODÈLE : 380000	
Cylindrée	38.26 ci (627 cc)
Alésage	2.972 po (75,5 mm)
Course	2.756 po (70 mm)
Capacité d'huile	46 - 48 oz (1,36 - 1,42 L)
Écartement des électrodes de bougie	.030 po (.76 mm)
Couple de serrage de bougie	180 lb-po (20 Nm)
Entrefer volant/bobine - Modèles de carburateurs	.008 - .012 po (.20 - .30 mm)
Dégagement de soupape d'admission	.004 - .006 po (.10 - .15 mm)
Dégagement de soupape d'échappement	.004 - .006 po (.10 - .15 mm)

La puissance du moteur diminuera de 3,5 % à chaque palier d'altitude de 1 000 pieds (300 m) et de 1 % tous les 10 °F (5,6 °C) à partir de 77 °F (25 °C). Le moteur fonctionne de façon satisfaisante à un angle allant jusqu'à 15°. Consulter le manuel de l'utilisateur de l'équipement pour une utilisation sûre en pente.

MODÈLES : 290000, 300000, 350000, 380000

Pièce de rechange	Référence de pièce
Filtre à air (avec réservoir de carburant, Figure 23)	383857
Filtre à air (sauf modèle 380000, Figure 22)	394018
Filtre à air (modèle 380000, 22)	692519
Filtre à air, pré-dépoussiéreur (avec réservoir de carburant, Figure 23)	271794
Filtre à air, pré-dépoussiéreur (sauf modèle 380000, Figure 22)	272490
Filtre à air, pré-dépoussiéreur (modèle 380000, Figure 22)	692520
Huile - SAE 30	100028
Filtre à huile	842921
Filtre à carburant (avec réservoir de carburant)	808116
Filtre à carburant (avec pompe à carburant)	845125
Filtre à carburant (sans pompe à carburant)	298090
Bougie à résistance	491055S
Bougie en platine longue durée	696202, 5066K
Clé à bougie	19576S
Éclateur	84003327

Nous recommandons de confier à un revendeur autorisé Briggs & Stratton tout l'entretien du moteur et de ses pièces.

Puissances nominales

La puissance brute de chaque modèle de moteur à essence est indiquée conformément à la norme SAE (Society of Automotive Engineers) Code J1940, Procédure pour le couple et la puissance nominale des petits moteurs, et est classée conformément à la norme SAE J1995. Les valeurs de couple sont obtenues à 2 600 tr/min pour les moteurs pour lesquels les « tours par minute » sont indiqués sur l'étiquette et à 3 060 tr/min pour tous les autres. La puissance en HP est obtenue à 3 600 tr/min. Les courbes de puissance brute peuvent être consultées sur le site www.BRIGGSandSTRATTON.COM. Les valeurs données pour la puissance nette sont établies avec l'échappement et le filtre à air installés tandis que les valeurs données pour la puissance brute sont établies sans ces accessoires. La puissance brute réelle du moteur sera plus élevée que la puissance nette du moteur et elle est affectée, entre autres, par les conditions atmosphériques de fonctionnement et les variations d'un moteur à l'autre. Étant donné la gamme étendue de produits sur lesquels les moteurs sont montés, il se peut que le moteur à essence ne développe pas la puissance nominale brute quand il est utilisé sur un type donné d'équipement entraîné. Cette différence est due à divers facteurs, y compris, mais sans toutefois s'y limiter, la diversité des composants du moteur (filtre à air, échappement, chargement, refroidissement, carburateur, pompe à carburant, etc.), la limite des applications, les conditions atmosphériques de fonctionnement (température, humidité, altitude) et les variations entre les moteurs. En raison des limites de fabrication et de capacité, Briggs & Stratton peut substituer un moteur de puissance nominale supérieure par ce moteur.

Garantie

Garantie moteur Briggs & Stratton®

Entrée en vigueur : août 2022

Garantie limitée

Briggs & Stratton garantit la réparation ou le remplacement gratuit, pendant la période de garantie spécifiée ci-dessous, de toute pièce présentant des défauts matériels ou de fabrication avec une pièce neuve, reconditionnée ou refabriquée, à la seule discrétion de Briggs & Stratton. Les frais de transport du produit à réparer ou remplacer seront, dans le cadre de cette garantie, à la charge de l'acheteur. Cette garantie court sur les périodes énoncées ci-dessous et est assujettie aux conditions énoncées ci-dessous. Pour les réparations couvertes par la garantie, trouvez le réparateur agréé le plus proche de chez vous à l'aide de notre carte Trouver un revendeur en disponible sur BRIGGSandSTRATTON.COM. L'acheteur doit contacter le réparateur agréé, puis lui confier le produit à des fins d'inspection et de test.

Il n'existe aucune autre garantie expresse. Les garanties implicites, y compris celles associées à la commercialisation et d'adéquation à un usage particulier, sont limitées à une période d'une année à compter de la date de l'achat, ou dans la mesure prévue par la loi. Toutes les autres garanties implicites sont exclues. **Les responsabilités relatives aux dommages consécutifs ou indirects sont exclues dès lors que cette exclusion est autorisée par la loi.** Certains États ou pays ne permettent pas les limitations de durée de la garantie implicite. Certains États ou pays n'autorisent pas l'exclusion ou la limitation des dommages consécutifs ou indirects. Dans ce cas, l'exclusion et la limitation ci-dessus ne s'appliquent pas à votre cas. La présente garantie vous offre des droits juridiques spécifiques et il se peut que vous ayez d'autres droits qui varient d'une juridiction à une autre, et de pays à pays.

Période de garantie standard^{1, 2}
Vanguard® ; série commerciale
Utilisation par le consommateur : 36 mois
Utilisation commerciale : 36 mois
Série XR
Utilisation par le consommateur : 24 mois
Utilisation commerciale : 24 mois
Tous les autres moteurs à chemise en fonte à alésage Dura-Bore™
Utilisation par le consommateur : 24 mois
Utilisation commerciale : 12 mois
Tous les autres moteurs
Utilisation par le consommateur : 24 mois
Utilisation commerciale : 3 mois

¹ Il s'agit de nos conditions standard de garantie mais il peut exister, ponctuellement, une garantie supplémentaire qui n'avait pas été définie à la date de la publication. Pour connaître les modalités actuelles de garantie s'appliquant à votre moteur, visitez le site www.BRIGGSandSTRATTON.COM ou contactez votre réparateur agréé Briggs & Stratton agréé.

² Il n'existe aucune garantie applicable aux moteurs d'équipements utilisés pour une alimentation principale en remplacement du réseau public d'électricité, des groupes électrogènes de secours utilisés à des fins commerciales, des véhicules utilitaires roulant à plus de 25 mi/h ou des moteurs utilisés en compétition, ou dans un but d'exploitation commerciale ou de location.

* En Australie – Nos produits sont accompagnés de garanties qui ne peuvent être exclues en vertu de la loi australienne de protection du consommateur (Australian Consumer Law). Vous pouvez obtenir un remplacement ou un remboursement en cas de défaillance majeure ou en compensation de toute perte ou de tout dommage survenus dans le cadre des conditions raisonnablement prévisibles d'utilisation du produit. Vous pouvez également bénéficier de la réparation ou du remplacement des produits si la qualité de ces derniers n'est pas acceptable et si le défaut n'entraîne pas de défaillance majeure. Pour les réparations couvertes par la garantie, trouvez le réparateur agréé le plus proche de chez vous au moyen de la carte Trouver un revendeur sur le site BRIGGSandSTRATTON.COM, ou en composant le 1300 274 447, ou en envoyant un courriel à salesenquires@briggsandstratton.com.au, ou en écrivant à Briggs & Stratton Australia Pty Ltd, 1 Moorebank Avenue, Moorebank, NSW, Australie, 2170.

La période de garantie débute à la date d'achat par l'acheteur particulier initial ou l'utilisateur professionnel final et se prolonge pendant la période indiquée dans le tableau ci-dessus. « Utilisation par le consommateur » signifie que le produit sera utilisé par un consommateur au détail dans un but privé. « Utilisation commerciale » indique toutes les autres utilisations possibles, y compris commerciales, génératrices de revenus ou locatives. Dès qu'un moteur a servi à un usage commercial, il sera considéré comme moteur à usage commercial dans le cadre de la présente garantie.

Aucun enregistrement de la garantie n'est nécessaire pour obtenir la garantie des produits de marque Briggs & Stratton. Conservez le reçu de votre achat. Si vous ne fournissez pas la preuve de la date d'achat initiale au moment de la demande du service de garantie, la date de fabrication du produit sera retenue pour déterminer la période de garantie.

Au sujet de votre garantie

Cette garantie limitée couvre le matériel relatif au moteur et/ou les problèmes de fabrication uniquement, et non le remplacement ou le remboursement de la machine sur lequel le moteur était installé. Les mises au point de routine, les réglages, les ajustements et l'usure normale ne sont pas couvertes par cette garantie. De même, la garantie ne s'applique pas si le moteur a été altéré ou modifié, ou si le numéro de série du moteur a été dégradé ou effacé. Cette garantie ne couvre pas les dommages du moteur ou les problèmes de performance dus à :

1. l'usage de pièces qui ne sont pas Briggs & Stratton
2. l'utilisation du moteur avec de l'huile en quantité insuffisante, contaminée ou d'un grade de lubrification inadapté ;
3. L'utilisation de carburant contaminé ou éventé, d'essence formulée avec de l'éthanol à plus de 10 %, ou de carburants alternatifs comme le gaz de pétrole liquéfié ou le gaz naturel, avec des moteurs non conçus / fabriqués à l'origine par Briggs & Stratton pour fonctionner avec de tels carburants ;
4. Les impuretés qui pénètrent dans le moteur du fait d'un entretien ou d'un remontage inadéquat du filtre à air ;
5. un choc de la lame d'une tondeuse rotative sur un corps dur, des adaptateurs de lames, des turbines ou d'autres dispositifs raccordés au vilebrequin mal installés ou desserrés, ou une courroie trapézoïdale trop tendue ;
6. Les pièces associées ou montages tels que les embrayages, les transmissions, les commandes de l'équipement, etc. qui ne sont pas fournis par Briggs & Stratton;

7. une surchauffe due à des résidus d'herbe, de la saleté et des débris ou des nids de rongeurs qui bouchent ou obstruent les ailettes de refroidissement ou la zone du volant, ou due à un fonctionnement du moteur sans ventilation suffisante ;
8. une vibration excessive provoquée par un surrégime, un serrage insuffisant des boulons de fixation du moteur, des lames ou des turbines desserrées ou mal équilibrées, un mauvais raccordement des composants de l'équipement au vilebrequin ;
9. un abus, un manque d'entretien courant, l'expédition, la manutention ou l'entreposage de l'équipement ou une mauvaise installation du moteur.

Le service de garantie est disponible uniquement auprès des réparateurs agréés Briggs & Stratton. Trouvez votre réparateur agréé le plus proche en utilisant la carte Trouver un revendeur sur le site BRIGGSandSTRATTON.COM ou en appelant le 1-800-444-7774 (aux USA).

80114782 (révision A)

Informazioni generali



Questo manuale contiene informazioni sulla sicurezza, sui pericoli e i rischi legati al motore e su come prevenirli. Contiene anche informazioni sul funzionamento e sulla manutenzione corretta del motore. È importante che queste istruzioni siano lette, comprese e rispettate. **Conservare questo manuale per futuro riferimento.**

NOTA: Le istruzioni e le figure del presente manuale hanno solo scopo informativo e potrebbero essere diverse dal modello di cui si dispone. Utilizzare le figure che si riferiscono alla configurazione del proprio motore. Se necessario, rivolgersi a un'Officina autorizzata.

Per i pezzi di ricambio, annotare data di acquisto, modello di motore, tipo, rivestimento e numero di serie del motore. Tali numeri sono sul motore. Fare riferimento alla sezione **Funzioni e comandi**.

Data dell'acquisto	
Modello del motore - Tipo - Trim	
Numero di serie del motore	

Informazioni di contatto dell'ufficio europeo

Per domande riguardanti le emissioni in Europa, contattare l'ufficio europeo all'indirizzo:

Max-Born-Straße 2, 68519 Viernheim, Germania.

Unione Europea (UE) Fase V (5): Valori di anidride carbonica (CO₂)

Per scoprire i valori di anidride carbonica relativi ai motori Briggs & Stratton con Certificato di approvazione UE, immettere CO₂ nella finestra di ricerca di BriggsandStratton.com.

Informazioni per il riciclaggio



Riciclare tutti i cartoni, le scatole, l'olio esausto e le batterie come specificato dalle normative governative.

Sicurezza dell'operatore

Simboli degli allarmi per la sicurezza e messaggi di segnalazione



Il simbolo di allarme sicurezza identifica informazioni di sicurezza che riguardano rischi che possono provocare lesioni alla persona. Viene utilizzato un termine di segnalazione (**PERICOLO**, **AVVERTENZA** o **ATTENZIONE**), per indicare l'eventualità e la potenziale gravità del danno. Inoltre, è applicato un simbolo di pericolo indicante il tipo di pericolo esistente.

PERICOLO indica un pericolo che, se non evitato, **provocherà** morte o lesioni gravi.

AVVERTENZA indica un rischio che, se non evitato, **potrebbe** provocare morte o lesioni gravi.

ATTENZIONE indica un rischio che, se non evitato, **potrebbe** provocare lesioni minori o moderate.

AVVISO indica informazioni considerate importanti, ma non relative a pericoli.

Simboli indicanti rischio e relativi significati

	Informazioni di sicurezza relative ai rischi che possono causare lesioni personali.		Prima di usare o riparare l'unità, leggere e comprendere il manuale per l'operatore.
	Pericolo d'incendio		Pericolo di esplosione
	Pericolo di scosse elettriche		Pericolo di fumi tossici

	Pericolo superfici estremamente calde		Pericolo di contraccolpo
	Pericolo di amputazione - Parti in movimento		Livello di carburante - Massimo Non riempire troppo

Messaggi sulla sicurezza



AVVERTENZA

I motori Briggs & Stratton® non sono progettati per essere usati su: fun-kart; go-kart; veicoli per bambini, ricreativi o fuori strada; motociclette, prodotti a camera ad aria, velivoli o veicoli impiegati in eventi competitivi non approvati da Briggs & Stratton. Per informazioni su prodotti da competizione, visitare il sito www.briggsracing.com. Per l'impiego su quad e motoslitte, contattare Briggs & Stratton Power Application Center, 1-866-927-3349. L'uso non corretto del motore può provocare lesioni personali gravi o la morte.



AVVERTENZA

Il carburante e i suoi vapori sono infiammabili ed esplosivi. Gli incendi e le esplosioni possono provocare bruciate gravi o morte.

Quando si esegue il rifornimento di carburante

- Arrestare il motore. Prima di rimuovere il tappo del carburante, attendere almeno due (2) minuti per assicurarsi che il motore si sia raffreddato.
- Riempire il serbatoio carburante all'aperto o in un'area con una buona circolazione dell'aria.
- Non riempire eccessivamente il serbatoio del carburante. Per consentire l'espansione del carburante, non riempire al di sopra del fondo del collo del serbatoio benzina.
- Tenere il carburante lontano da scintille, fiamme libere, fiamme pilota, calore e altre fonti di accensione.
- Esaminare frequentemente le linee del carburante, il serbatoio carburante, il tappo del carburante e i collegamenti per individuare crepe o perdite. Sostituire le parti danneggiate.
- Se il carburante si versa, attendere che si asciughi prima di avviare il motore.

Quando si avvia il motore

- Assicurarsi che la candela, la marmitta, il tappo del carburante e filtro dell'aria (se in dotazione) siano installati correttamente.
- Non far partire il motore con la candela rimossa.
- Se il motore è allagato, impostare la valvola dell'aria (se in dotazione) in posizione APERTO o MARCIA. Spostare il comando della valvola a farfalla (se in dotazione) sulla posizione VELOCE e far girare finché il motore si avvia.
- In caso di perdita di metano o gas LP nell'area, non avviare il motore.
- Poiché i vapori sono infiammabili, non usare fluidi di avvio pressurizzati.

Quando si utilizza l'apparecchiatura

- Non inclinare il motore o l'apparecchiatura al punto da provocare la fuoriuscita del carburante.
- Non aprire la valvola dell'aria del carburatore (se in dotazione) per arrestare il motore.
- Non avviare o far funzionare il motore con il gruppo di filtraggio dell'aria (se in dotazione) o il filtro dell'aria (se in dotazione) rimossi.

Quando si esegue la manutenzione

- Se si scarica l'olio dalla parte superiore del tubo di riempimento, il serbatoio carburante deve essere vuoto. Se il serbatoio non è vuoto, il carburante può versarsi con rischio di incendio o esplosione.
- Durante la manutenzione, se è necessario inclinare l'unità, assicurarsi che il serbatoio carburante, se montato sul motore, sia vuoto e che il lato candela sia rivolto verso l'alto. Se il serbatoio carburante non è vuoto, il carburante può versarsi con rischio di incendio o esplosione.
- Esaminare frequentemente le linee del carburante, il serbatoio carburante, il tappo del carburante e i collegamenti per individuare crepe o perdite. Sostituire le parti danneggiate.
- Non manomettere le molle del regolatore, i collegamenti o altre parti per aumentare la velocità del motore.
- Non battere il volano con un martello o un oggetto duro. Possono verificarsi guasti al volano durante il funzionamento.
- I ricambi devono essere uguali e installati nella stessa posizione dei componenti originali. Altre parti potrebbero provocare danni o lesioni personali.

Quando si sposta la posizione dell'apparecchiatura

- Assicurarsi che il serbatoio carburante sia VUOTO o che la valvola di chiusura del carburante sia in posizione CHIUSO.

Quando si conserva carburante o l'apparecchiatura va in rimessaggio con carburante nel serbatoio

- Poiché le fiamme pilota o altre fonti di accensione possono causare esplosioni, conservare il carburante o le altre apparecchiature lontano da forni, stufe, caldaie o altri dispositivi con fiamme pilota.



AVVERTENZA

Il carburante e i suoi vapori sono infiammabili ed esplosivi. Gli incendi e le esplosioni possono provocare bruciature gravi o morte.

L'avviamento del motore provoca scintille che potrebbero provocare un incendio o un'esplosione.

- In caso di perdita di metano o gas LP nell'area, non avviare il motore.
- Poiché i vapori sono infiammabili, non usare fluidi di avvio pressurizzati.



AVVERTENZA

PERICOLO GAS VELENOSO. Lo scarico del motore contiene monossido di carbonio, un gas velenoso che può uccidere in pochi minuti. Anche se non si respirano i fumi di scarico, è possibile comunque essere esposti ai pericolosi vapori di monossido di carbonio. In caso di malessere o debolezza durante l'utilizzo del prodotto, dirigersi **IMMEDIATAMENTE** verso l'aria fresca. Rivolgersi ad un medico. Potrebbe essersi verificato un avvelenamento da monossido di carbonio.

- Il monossido di carbonio può accumularsi negli spazi occupati. Per ridurre il rischio di esposizione al monossido di carbonio, utilizzare questo prodotto SOLO all'esterno e lontano da vani finestra, porte e sfiate.
- Installare gli allarmi monossido di carbonio a batteria o inserire allarmi monossido di carbonio con batteria di riserva seguendo le istruzioni del fabbricante. Gli allarmi per il fumo non possono rilevare il monossido di carbonio.
- NON utilizzare questo prodotto dentro casa, all'interno di garage, piani interrati, intercapedini, capanni o altri spazi parzialmente chiusi, anche se si utilizzassero ventole o si lasciassero aperte porte e finestre per garantire la ventilazione. Dopo l'utilizzo di questo prodotto, il monossido di carbonio può accumularsi rapidamente in questi spazi e rimanere per ore.
- Usare SEMPRE questo prodotto sottovento e puntare lo scarico del motore lontano da spazi occupati.



AVVERTENZA

La rapida ritrazione del cavo del motorino di avviamento (contraccolpo) può proiettare con forza mani e braccia in direzione del motore. Pericolo di lussazioni, fratture, contusioni o distorsioni.

- Per evitare il contraccolpo quando si avvia il motore, tirare lentamente il cavo del motorino di avviamento finché non si sente una certa resistenza, quindi tirarlo rapidamente.
- Prima di avviare il motore, scollegare o rimuovere tutte le apparecchiature esterne e i carichi dal motore.
- Assicurarsi che i componenti ad accoppiamento diretto come lame, giranti, pulegge e pignoni, siano fissati saldamente.



AVVERTENZA

Le parti rotanti possono intrappolare mani, piedi, capelli, indumenti o accessori e causare amputazione o gravi lacerazioni.

- Azionare l'apparecchiatura con le protezioni installate correttamente.
- Tenere lontani mani e piedi dalle parti rotanti.
- Rimuovere eventuali gioielli e assicurarsi che i capelli lunghi siano lontani dalle parti in movimento.
- Non indossare abiti o oggetti larghi che possono rimanere impigliati.



AVVERTENZA

Durante il funzionamento, il motore e la marmitta possono scaldarsi. Se si tocca un motore caldo, possono verificarsi ustioni.

Materiali infiammabili come foglie, erba e arbusti, possono prendere fuoco.

- Prima di toccare il motore o la marmitta, arrestare il motore e attendere due (2) minuti. Accertarsi che il motore e la marmitta possano essere toccati in sicurezza.
- Rimuovere i detriti dalla marmitta e dal motore.

La sezione 4442 del codice sulle risorse pubbliche della California (California Public Resource Code) vieta l'uso o l'operazione della macchina in zone forestali, zone cespugliose o zone erbose a meno che il sistema di scarico non sia dotato di parascintille, come definito nella sezione 4442, conservati in perfetta funzionalità. Altri Stati o giurisdizioni federali potrebbero disporre di leggi simili; fare riferimento al Regolamento federale 36 CFR Parte 261.52. Contattare il costruttore originale o un rivenditore autorizzato per avere un apposito parascintille per il sistema di scarico installato su questo motore.



AVVERTENZA

Scintille del motore accidentali possono causare scosse elettriche, incendi o esplosioni e provocare impieghi, amputazioni o lacerazioni.

Prima di effettuare modifiche o riparazioni:

- Scollegare i cavi delle candele e tenerli lontani dalle candele stesse.
- Scollegare il terminale negativo della batteria (solo sui motori ad avviamento elettrico).
- Usare solo attrezzi adatti.

Quando si controlla la presenza di scintille:

- Usare un tester approvato per candele.
- Non controllare la presenza di scintille con la candela rimossa.



AVVERTENZA

I vapori del carburante sono infiammabili ed esplosivi. Gli incendi e le esplosioni possono provocare bruciature gravi o morte.

Qualora vi sia odore di gas

- Non avviare il motore.
- Non azionare gli interruttori elettrici.
- Non usare un telefono nei pressi del motore.
- Evacuare l'area.
- Contattare il fornitore del gas oppure i vigili del fuoco.

Funzioni e comandi









Comandi del motore

Confrontare le lettere dei riquadri nelle Figure 1, 2, 3 e 4 con i comandi del motore nell'elenco che segue:

- A. Numeri di identificazione del motore **Modello - Tipo - Codice**
- B. Candela
- C. Filtro dell'aria (senza serbatoio del carburante)
- D. Filtro dell'aria (con serbatoio del carburante)
- E. Asta di livello
- F. Riempimento olio
- G. Filtro dell'olio (se installato)
- H. Tappo di scarico dell'olio
- I. Sensore di pressione dell'olio
- J. Protezione per le dita
- K. Motorino di avviamento
- L. Motorino di avviamento autoavvolgente (se installato)
- M. Carburatore - Modelli di carburatore
- N. Marmitta
- O. Pompa del carburante
- P. Interruttore di avviamento¹
- Q. Leva di comando dell'acceleratore¹
- R. Comando valvola dell'aria¹
- S. Filtro del carburante (se installato)
- T. Serbatoio benzina
- U. Rubinetto del carburante (se installato)¹
- V. Interruttore d'arresto (se installato)¹
- W. Radiatore dell'olio (se installato)
- X. Modulo della pompa del carburante - Modelli EFI
- Y. Modulo di comando elettronico - Modelli EFI
- Z. Iniettore del carburante - Modelli EFI

¹ Alcuni motori e attrezzature sono dotati di comandi a distanza. Consultare il manuale della specifica attrezzatura per la posizione e il funzionamento dei comandi a distanza.

Simboli dei comandi del motore e relativi significati

 Velocità motore - VELOCE	 Velocità motore - LENTO
 Velocità motore - ARRESTO	 ACCESO - DISATTIVO
 Avvio motore Valvola dell'aria CHIUSA	 Avvio motore Valvola dell'aria APERTA
 Tappo del carburante Rubinetto del carburante APERTO	 Rubinetto del carburante CHIUSO

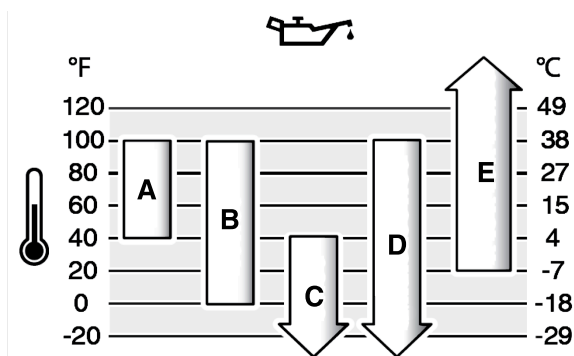
Funzionamento

Suggerimenti per l'olio

Capacità coppa olio: Vedere la sezione **Specifiche**.

Per le migliori prestazioni, si consiglia l'uso di oli con certificato di garanzia Briggs & Stratton®. Altri oli detergenti di alta qualità sono ammessi se classificati per servizio SF, SG, SH, SJ o superiore. Non utilizzare additivi speciali.

Utilizzare lo schema per selezionare la migliore viscosità in base all'intervallo di temperature esterne previste. I motori della maggior parte delle macchine per il lavoro da esterni funzionano bene con olio sintetico 5W-30. Per apparecchiature utilizzate a temperature elevate, l'olio sintetico Vanguard® 15W-50 fornisce la migliore protezione.



A	SAE 30 - Al di sotto di 40 °F (4 °C) l'uso di SAE 30 avrà come conseguenza un avvio difficile.
B	10W-30 - Al di sopra di 80 °F (27 °C) l'uso di 10W-30 può causare maggiore consumo di olio. Controllare frequentemente il livello dell'olio.
C	5W-30
D	Sintetico 5W-30
E	Vanguard® sintetico 15W-50

Controllare il livello dell'olio motore

Prima di controllare o rabboccare olio

- Accertarsi che il motore sia a livello.
- Eliminare i detriti dall'area di riempimento dell'olio.
- Vedere la sezione **Specifiche** per la capacità coppa olio.

NOTA

Il motore viene fornito dalla Briggs & Stratton senza olio. I produttori o i rivenditori dell'apparecchiatura potrebbero aver aggiunto dell'olio al motore. Prima di avviare il motore per la prima volta, assicurarsi che l'olio sia al livello corretto. Rabboccare l'olio come specificato nelle istruzioni di questo manuale. In caso di avviamento senza olio, il motore può subire gravi danni, non coperti dalla garanzia.

1. Togliere l'astina di livello (A, Figura 5) e pulirla con un panno.
2. Installare e serrare l'astina (A, Figura 5).

3. Estrarre l'astina di livello e controllare il livello dell'olio. Accertarsi che il livello dell'olio raggiunga la parte superiore dell'indicatore di pieno (B, Figura 5) sull'astina di livello.
4. Se il livello dell'olio è basso, rabboccarlo lentamente nel motore (C, Figura 5). Non aggiungere olio in eccesso.
5. Attendere un minuto e controllare nuovamente il livello dell'olio. Accertarsi che il livello dell'olio sia corretto.
6. Installare e serrare l'astina (A, Figura 5).

Sistema di protezione olio basso (se installato)

Su alcuni motori è installato un sensore di basso livello dell'olio. Se il livello dell'olio è basso, il sensore visualizzerà una spia di avvertenza oppure arresterà il motore. Arrestare il motore ed eseguire la seguente procedura prima di riavviarlo.

- Accertarsi che il motore sia a livello.
- Effettuare un controllo dell'olio. Fare riferimento alla sezione **Controllo del livello dell'olio**.
- Se il livello dell'olio è basso, rabboccare con la quantità d'olio appropriata. Avviare il motore e accertarsi che la spia di avvertenza (se installata) non si accenda.
- Se il livello dell'olio non è basso, non avviare il motore. Contattare un'Officina autorizzata Briggs & Stratton per risolvere il problema dell'olio.

Raccomandazioni relative al carburante

È necessario che la benzina sia conforme a questi requisiti:

- Benzina pulita, nuova, senza piombo.
- Minimo 87 ottani/87 AKI (91 RON). Per uso ad altitudini elevate vedere in seguito.
- Benzina con un massimo del 10% di etanolo (gasolio) è accettabile.

NOTA

Non usare benzine non appropriate, come E15 e E85. Non mescolare olio alla benzina né modificare il motore perché possa funzionare con carburanti alternativi. L'uso di carburanti non approvati potrebbe comportare danni ai componenti del motore, i quali non saranno coperti dalla garanzia.

Per proteggere l'impianto del carburante da formazioni gommose e corrosione, miscelare al carburante uno stabilizzatore di carburante senza alcol e un trattamento all'etanolo. Fare riferimento alla sezione **Rimessaggio**. Non tutti i carburanti sono uguali. Se si verificano problemi di avviamento o le prestazioni non sono soddisfacenti, cambiare il fornitore o la marca del carburante. Questo motore è certificato per funzionare a benzina. Il sistema di controllo delle emissioni per i motori con carburatore è EM (modifiche al motore). I sistemi di controllo delle emissioni per i motori a iniezione elettronica del carburante sono ECM (Modulo di controllo motore), MFI (Iniezione multiporta), TBI (Iniezione corpo farfallato) e, se in dotazione, un O2S (Sensore dell'ossigeno).

Altitudine elevata

Ad altitudini superiori a 5.000 piedi (1524 metri), è accettabile benzina con numero minimo di ottani 85/85 AKI (89 RON).

Per motori con carburatore è necessaria una regolazione per l'altitudine affinché vengano mantenute le normali prestazioni. Il funzionamento senza regolazione causa prestazioni inferiori, maggiore consumo di carburante e maggiori emissioni. Per informazioni sulla regolazione per altitudini elevate, rivolgersi a un centro assistenza autorizzato Briggs & Stratton. Si sconsiglia il funzionamento del motore ad altitudini inferiori a 2.500 piedi (762 metri) con il kit per altitudini elevate.

Per i motori con Iniezione elettronica del carburante (EFI), non è necessaria la regolazione per altitudini elevate.

Rifornimento di carburante



AVVERTENZA

Il carburante e i suoi vapori sono infiammabili ed esplosivi. Gli incendi e le esplosioni possono provocare bruciate gravi o morte.

Quando si esegue il rifornimento di carburante

- Arrestare il motore. Prima di rimuovere il tappo del carburante, attendere almeno due (2) minuti per assicurarsi che il motore si sia raffreddato.
- Riempire il serbatoio carburante all'aperto o in un'area con una buona circolazione dell'aria.
- Non riempire eccessivamente il serbatoio del carburante. Per consentire l'espansione del carburante, non riempire al di sopra del fondo del collo del serbatoio benzina.
- Tenere il carburante lontano da scintille, fiamme libere, fiamme pilota, calore e altre fonti di accensione.
- Esaminare frequentemente le linee del carburante, il serbatoio carburante, il tappo del carburante e i collegamenti per individuare crepe o perdite. Sostituire le parti danneggiate.
- Se il carburante si versa, attendere che si asciughi prima di avviare il motore.

1. Liberare la zona intorno al tappo del carburante da sporco e detriti. Togliere il tappo del carburante.
2. Riempire il serbatoio carburante (A, Figura 6) con carburante. Poiché il carburante si espande, non riempire oltre il fondo del collo del serbatoio carburante (B).
3. Rimettere il tappo del carburante.

Avviamento del motore



AVVERTENZA

Scintille del motore accidentali possono causare scosse elettriche, incendi o esplosioni e provocare impigliamenti, amputazioni o lacerazioni.

Prima di effettuare modifiche o riparazioni:

- Scollegare i cavi delle candele e tenerli lontani dalle candele stesse.
- Scollegare il terminale negativo della batteria (solo sui motori ad avviamento elettrico).
- Usare solo attrezzi adatti.

Quando si controlla la presenza di scintille:

- Usare un tester approvato per candele.
- Non controllare la presenza di scintille con la candela rimossa.



AVVERTENZA

La rapida ritrazione del cavo del motorino di avviamento (contraccolpo) può proiettare con forza mani e braccia in direzione del motore. Pericolo di lussazioni, fratture, contusioni o distorsioni.

- Per evitare il contraccolpo quando si avvia il motore, tirare lentamente il cavo del motorino di avviamento finché non si sente una certa resistenza, quindi tirarlo rapidamente.
- Prima di avviare il motore, scollegare o rimuovere tutte le apparecchiature esterne e i carichi dal motore.
- Assicurarsi che i componenti ad accoppiamento diretto come lame, giranti, pulegge e pignoni, siano fissati saldamente.



AVVERTENZA

PERICOLO GAS VELENOSO. Lo scarico del motore contiene monossido di carbonio, un gas velenoso che può uccidere in pochi minuti. Anche se non si respirano i fumi di scarico, è possibile comunque essere esposti ai pericolosi vapori di monossido di carbonio. In caso di malessere o debolezza durante l'utilizzo del prodotto, dirigersi IMMEDIATAMENTE verso l'aria fresca. Rivolgersi ad un medico. Potrebbe essersi verificato un avvelenamento da monossido di carbonio.

- Il monossido di carbonio può accumularsi negli spazi occupati. Per ridurre il rischio di esposizione al monossido di carbonio, utilizzare questo prodotto SOLO all'esterno e lontano da vani finestra, porte e sfiiati.
- Installare gli allarmi monossido di carbonio a batteria o inserire allarmi monossido di carbonio con batteria di riserva seguendo le istruzioni del fabbricante. Gli allarmi per il fumo non possono rilevare il monossido di carbonio.
- NON utilizzare questo prodotto dentro casa, all'interno di garage, piani interrati, intercapedini, capanni o altri spazi parzialmente chiusi, anche se si utilizzassero ventole o si lasciassero aperte porte e finestre per garantire la ventilazione. Dopo l'utilizzo di questo prodotto, il monossido di carbonio può accumularsi rapidamente in questi spazi e rimanere per ore.
- Usare SEMPRE questo prodotto sottovento e puntare lo scarico del motore lontano da spazi occupati.

NOTA

Il motore viene fornito dalla Briggs & Stratton senza olio. I produttori o i rivenditori dell'apparecchiatura potrebbero aver aggiunto dell'olio al motore. Prima di avviare il motore per la prima volta, assicurarsi che l'olio sia al livello corretto. Rabboccare l'olio come specificato nelle istruzioni di questo manuale. In caso di avviamento senza olio, il motore può subire gravi danni, non coperti dalla garanzia.

NOTA: L'apparecchiatura di cui si dispone potrebbe essere fornita di comandi a distanza. Consultare il manuale dell'apparecchiatura specifica per la posizione e il funzionamento dei comandi a distanza.

Tipi di sistemi di avviamento

Prima di avviare il motore, è necessario identificare il tipo di sistema di avviamento presente sul motore. Il motore è dotato di uno dei seguenti tipi di sistemi.

- **Sistema Electronic Fuel Injection (EFI):** Un sistema EFI non è dotato di starter o di primer.
- **Sistema di gestione elettronica del carburante:** Un sistema di Gestione elettronica del carburante dotato di un'Unità di controllo elettronica che monitora le condizioni e le temperature del motore. Non prevede comando dell'aria manuale o primer.
- **Sistema comando dell'aria** Questo tipo di sistema prevede uno starter da utilizzare alle basse temperature. Alcuni modelli dispongono di un comando

separato dello starter, mentre alcuni altri sono dotati di un comando combinato dello starter e della valvola a farfalla. Questo tipo non è dotato di primer.

Sistema di iniezione elettronica del carburante (EFI)

1. Controllare l'olio del motore. Consultare la sezione **Controllare il livello dell'olio**.
2. Verificare che i comandi delle attrezzature, se presenti, siano disinnestati.
3. Spostare la valvola di chiusura del carburante (A, Figura 7), se presente, in posizione APERTO.
4. Portare l'interruttore di arresto (F, Figure 7, 8), se presente, in posizione ATTIVO.
5. Portare la leva di comando dell'acceleratore (B, Figura 8), se presente, in posizione VELOCE. Far funzionare il motore nella posizione VELOCE.
6. **Avviamento a strappo, se dotato di chiave di sicurezza:** Portare l'interruttore a chiave (D, Figure 7, 8) sulla posizione ATTIVO.
7. **Avviamento a strappo, se presente:** Impugnare saldamente la stegola del cavo del motorino di avviamento (E, Figure 7, 8). Tirare lentamente la stegola del motorino di avviamento finché non si incontra resistenza, quindi tirare rapidamente.



AVVERTENZA

Il ritorno rapido del cavo del motorino di avviamento (contraccolpo) strapperà la mano e il braccio verso il motore prima che si possa lasciare andare la stegola. Pericolo di rotture, fratture, contusioni o distorsioni. Per evitare il contraccolpo quando si avvia il motore, tirare lentamente il cavo del motorino di avviamento finché non si sente una certa resistenza, quindi tirarlo rapidamente.

8. **Avviamento elettrico, se presente:** Portare l'interruttore del motorino di avviamento elettrico (D, Figure 7, 8) sulla posizione ATTIVO o AVVIO.

NOTA Per estendere la durata del dispositivo di avviamento, usare dei cicli di avviamento brevi (cinque secondi al massimo). Aspettare un minuto tra un ciclo e il successivo.

Se il motore non parte dopo 3 o 4 tentativi, contattare il rivenditore locale, visitare vanguardpower.com o chiamare 1-800-999-9333.

Sistema di gestione elettronica del carburante

1. Controllare l'olio del motore. Consultare la sezione **Controllare il livello dell'olio**.
2. Verificare che i comandi delle attrezzature, se presenti, siano disinnestati.
3. Spostare la valvola di chiusura del carburante (A, Figura 7), se presente, in posizione APERTO.
4. Portare l'interruttore di arresto (F, Figure 7, 8), se presente, in posizione ATTIVO.
5. Portare la leva di comando dell'acceleratore (B, Figura 8), se presente, in posizione VELOCE. Far funzionare il motore nella posizione VELOCE.
6. **Avviamento a strappo, se dotato di chiave di sicurezza:** Portare l'interruttore a chiave (D, Figure 7, 8) sulla posizione ATTIVO.
7. **Avviamento a strappo, se presente:** Impugnare saldamente la stegola del cavo del motorino di avviamento (E, Figure 7, 8). Tirare lentamente la stegola del motorino di avviamento finché non si incontra resistenza, quindi tirare rapidamente.



AVVERTENZA

Il ritorno rapido del cavo del motorino di avviamento (contraccolpo) strapperà la mano e il braccio verso il motore prima che si possa lasciare andare la stegola. Pericolo di rotture, fratture, contusioni o distorsioni. Per evitare il contraccolpo quando si avvia il motore, tirare lentamente il cavo del motorino di avviamento finché non si sente una certa resistenza, quindi tirarlo rapidamente.

8. **Avviamento elettrico, se presente:** Portare l'interruttore del motorino di avviamento elettrico (D, Figure 7, 8) sulla posizione ATTIVO o AVVIO.

NOTA Per estendere la durata del dispositivo di avviamento, usare dei cicli di avviamento brevi (cinque secondi al massimo). Aspettare un minuto tra un ciclo e il successivo.

Se il motore non parte dopo 3 o 4 tentativi, contattare il rivenditore locale, visitare vanguardpower.com o chiamare 1-800-999-9333.

Sistema comando dell'aria

1. Controllare l'olio del motore. Consultare la sezione **Controllo e rabbocco del livello dell'olio**.
2. Verificare che i comandi delle attrezzature, se presenti, siano disinnestati.
3. Spostare la valvola di chiusura del carburante (A, Figura 7), se presente, in posizione APERTO.
4. Portare l'interruttore di arresto (F, Figure 7, 8), se presente, in posizione ATTIVO.

- Portare la leva di controllo della valvola a farfalla (B, Figure 7), se presente, in posizione VELOCE. Far funzionare il motore nella posizione VELOCE.
- Spostare il comando dell'aria (C, Figura 9, 10) in posizione CHIUSO.

NOTA: In genere, per avviare un motore caldo, lo starter non è necessario.

- Avviamento a strappo, se dotato di chiave di sicurezza:** Portare l'interruttore a chiave (D, Figure 7, 8) sulla posizione ATTIVO.
- Avviamento a strappo, se presente:** Impugnare saldamente la stegola del cavo del motorino di avviamento (E, Figure 7, 8). Tirare lentamente la stegola del motorino di avviamento (E) finché non si incontra resistenza, quindi tirare rapidamente.



AVVERTENZA
Il ritorno rapido del cavo del motorino di avviamento (contraccolpo) strapperà la mano e il braccio verso il motore prima che si possa lasciare andare la stegola. Pericolo di rotture, fratture, contusioni o distorsioni. Per evitare il contraccolpo quando si avvia il motore, tirare lentamente il cavo del motorino di avviamento finché non si sente una certa resistenza, quindi tirarlo rapidamente.

- Avviamento elettrico, se fornito:** Ruotare l'interruttore a chiave (D, Figure 7, 8) sulla posizione ATTIVO o AVVIO.

NOTA

Per estendere la durata del dispositivo di avviamento, usare dei cicli di avviamento brevi (cinque secondi al massimo). Aspettare un minuto tra un ciclo e il successivo.

- Appena il motore si è riscaldato, spostare il comando dell'aria (C, Figure 9, 10) in posizione APERTO.

NOTA: Se il motore non parte dopo 2 o 3 tentativi, contattare il rivenditore locale, visitare vanguardpower.com o chiamare 1-800-999-9333.

Arrestare il motore



AVVERTENZA
Il carburante e i suoi vapori sono infiammabili ed esplosivi. Gli incendi e le esplosioni possono provocare bruciature gravi o morte.

- Non aprire la valvola dell'aria del carburatore (se in dotazione) per arrestare il motore.
- Interruttore d'arresto, se previsto:** Spostare l'interruttore di arresto (F, Figura 11) in posizione DISATTIVO.
 - Interruttore a chiave, se presente:** Con il controllo della valvola a farfalla, se presente, in posizione LENTO, portare l'interruttore a chiave (D, Figura 11) in posizione DISATTIVO. Rimuovere la chiave e conservarla in un luogo sicuro fuori dalla portata dei bambini.
 - Appena il motore si ferma, spostare la valvola di chiusura del carburante (A, Figura 11), se presente, in posizione CHIUSO.

Manutenzione Informazioni di manutenzione



AVVERTENZA
Il carburante e i suoi vapori sono infiammabili ed esplosivi. Gli incendi e le esplosioni possono provocare bruciature gravi o morte.

Durante la manutenzione, se è necessario inclinare l'unità, assicurarsi che il serbatoio carburante, se montato sul motore, sia vuoto e che il lato candela sia rivolto verso l'alto. Se il serbatoio carburante non è vuoto, il carburante può versarsi con rischio di incendio o esplosione. Se il motore viene inclinato in una direzione diversa, non si avverrà facilmente a causa della contaminazione di olio o carburante nel filtro dell'aria o nella candela.



AVVERTENZA
Scintille del motore accidentali possono causare scosse elettriche, incendi o esplosioni e provocare impigliamenti, amputazioni o lacerazioni.

Prima di effettuare modifiche o riparazioni:

- Scollegare i cavi delle candele e tenerli lontani dalle candele stesse.
- Scollegare il terminale negativo della batteria (solo sui motori ad avviamento elettrico).
- Usare solo attrezzi adatti.

Quando si controlla la presenza di scintille:

- Usare un tester approvato per candele.
- Non controllare la presenza di scintille con la candela rimossa.



AVVERTENZA
I ricambi devono essere uguali e installati nella stessa posizione dei componenti originali. Altre parti potrebbero provocare danni o lesioni personali.

NOTA

Tutti i componenti utilizzati per costruire questo motore devono rimanere montati nelle proprie sedi per un funzionamento corretto.

Per tutte le operazioni di assistenza e manutenzione del motore e dei relativi componenti, contattare un'officina autorizzata Briggs & Stratton.

Dichiarazione controllo emissioni

Per la manutenzione, la sostituzione o la riparazione dei dispositivi e degli impianti di controllo delle emissioni, contattare un tecnico di assistenza o un'officina di riparazione attrezzata per motori fuoristrada. Tuttavia, per ottenere un servizio di controllo delle emissioni "gratuito", è necessario che il servizio sia effettuato da un rivenditore autorizzato dall'azienda. Fare riferimento alle Dichiarazioni sul controllo delle emissioni.

Programma di manutenzione

Intervalli di 8 ore o giornalmente
<ul style="list-style-type: none"> Controllare il livello dell'olio motore. Pulire l'area intorno al marmitta e ai comandi.
Intervalli di 100 ore o annualmente
<ul style="list-style-type: none"> Sostituire le candele. Cambiare l'olio del motore. Sostituire il filtro dell'olio (se installato). Manutenzione del filtro dell'aria¹. Pulire il prefiltra (se installato)¹. Eseguire la manutenzione del sistema di scarico.
Intervalli di 250 ore o annualmente
<ul style="list-style-type: none"> Controllare la distanza delle valvole. Regolare se necessario.
Intervalli di 400 ore o annualmente
<ul style="list-style-type: none"> Sostituire il filtro aria. Sostituire il filtro del carburante. Eseguire la manutenzione del sistema di raffreddamento ad aria¹. Pulire le alette del radiatore dell'olio¹.

¹ Pulire con maggiore frequenza in presenza di polvere o molte particelle nell'aria.

Sistema di iniezione elettronica del carburante (EFI)

Il sistema EFI sottopone a monitoraggio la temperatura e il regime del motore e la tensione della batteria per l'avviamento e il riscaldamento del motore. Il sistema non necessita di regolazioni. In caso di problemi di avviamento o funzionamento, contattare un'officina autorizzata Briggs & Stratton.

NOTA Per evitare danni al sistema EFI, osservare sempre le seguenti avvertenze.

- Non avviare MAI il motore se i cavi della batteria sono allentati.
- Portare la chiave in posizione DISATTIVO prima di scollegare, rimuovere e/o installare la batteria.
- NON usare un caricabatterie per avviare il motore.
- NON scollegare i cavi della batteria a motore acceso.
- In sede di collegamento dei cavi della batteria, collegare sempre il cavo positivo (+) per primo, quindi il cavo negativo (-) alla batteria.

- Durante la ricarica della batteria, portare l'interruttore di avviamento in posizione DISATTIVO e scollegare il cavo negativo (-) della batteria.
- NON spruzzare acqua direttamente sulla centralina elettronica.

Sistema di gestione elettronica del carburante

Il sistema di gestione elettronica del carburante sottopone a monitoraggio la temperatura e il regime del motore e la tensione della batteria per regolare il comando dell'aria durante l'avviamento e il riscaldamento del motore. Il sistema non necessita di regolazioni. In caso di problemi di avviamento o funzionamento, rivolgersi a un'Officina autorizzata Briggs & Stratton.

NOTA Per evitare danni al sistema di gestione elettronica del carburante, assicurarsi di rispettare sempre le seguenti avvertenze.

- NON avviare mai il motore se i cavi della batteria sono allentati.
- Prima di collegare i cavi di avviamento con batteria ausiliaria o scollegare o ricollegare i cavi della batteria, girare l'interruttore di accensione in posizione DISATTIVO. Durante l'operazione di carica della batteria, girare l'interruttore di accensione in posizione DISATTIVO.
- In sede di scollegamento dei cavi della batteria, scollegare sempre il cavo negativo (-) per primo, quindi il cavo positivo (+). In sede di collegamento dei cavi della batteria, collegare sempre il cavo positivo (+) per primo, quindi il cavo negativo (-).
- NON usare un caricabatterie per avviare il motore.
- NON scollegare i cavi della batteria a motore acceso.
- NON nebulizzare acqua direttamente sul sistema di gestione elettronica.

Karbiuratoriaus ir variklio greitis

Non effettuare regolazioni al carburatore, alla molla del regolatore, ai collegamenti o ad altre parti per regolare la velocità del motore. Qualora sia necessario apportare delle regolazioni, contattare un'Officina autorizzata Briggs & Stratton per assistenza.

NOTA

Il produttore dell'attrezzatura specifica la velocità massima per il motore quando viene installato sull'attrezzatura. Non superare questa velocità. Se non si è sicuri di quale sia la velocità massima dell'apparecchiatura, o di quale sia l'impostazione della velocità del motore effettuata in fabbrica, contattare un'Officina autorizzata Briggs & Stratton per assistenza. Per un funzionamento sicuro e corretto dell'apparecchiatura, la velocità del motore deve essere regolata solo da un tecnico qualificato.

Manutenzione della candela

Controllare la distanza elettrodo candela (A, Figura 12) con uno spessore (B). Se necessario, ripristinare la distanza elettrodo candela. Montare e serrare la candela al valore di coppia corretto. Per i valori della coppia di serraggio e della distanza, fare riferimento alla sezione **Specifiche**.

Manutenzione del sistema di scarico



AVVERTENZA Durante il funzionamento, il motore e la marmitta possono scaldarsi. Se si tocca un motore caldo, possono verificarsi ustioni.

Materiali infiammabili come foglie, erba e arbusti, possono prendere fuoco.

- Prima di toccare il motore o la marmitta, arrestare il motore e attendere due (2) minuti. Accertarsi che il motore e la marmitta possano essere toccati in sicurezza.
- Rimuovere i detriti dalla marmitta e dal motore.

La sezione 4442 del codice sulle risorse pubbliche della California (California Public Resource Code) vieta l'uso o l'operazione della macchina in zone forestali, zone cespugliose o zone erbose a meno che il sistema di scarico non sia dotato di parascintille, come definito nella sezione 4442, conservati in perfetta funzionalità. Altri Stati o giurisdizioni federali potrebbero disporre di leggi simili; fare riferimento al Regolamento federale 36 CFR Parte 261.52. Contattare il costruttore originale o un rivenditore autorizzato per avere un apposito parascintille per il sistema di scarico installato su questo motore.

Rimuovere i detriti dall'area della marmitta e del cilindro. Ispezionare la marmitta per verificare l'eventuale presenza di incrinature, corrosione o altri danni. Se in dotazione, rimuovere il parascintille e ispezionarlo per verificare se è danneggiato o se è presente un'occlusione provocata dal carbonio. Se si riscontrano danni, installare i ricambi prima di mettere in funzione l'apparecchiatura.



AVVERTENZA I ricambi devono essere uguali e installati nella stessa posizione dei componenti originali. Altre parti potrebbero provocare danni o lesioni personali.

Cambio dell'olio motore



AVVERTENZA

Il carburante e i suoi vapori sono infiammabili ed esplosivi. Gli incendi e le esplosioni possono provocare bruciature gravi o morte.

Durante il funzionamento, il motore e la marmitta possono scaldarsi. Se si tocca un motore caldo, possono verificarsi ustioni.

- Se si scarica l'olio dalla parte superiore del tubo di riempimento, il serbatoio carburante deve essere vuoto. Se il serbatoio non è vuoto, il carburante può versarsi con rischio di incendio o esplosione.
- Prima di toccare il motore o la marmitta, arrestare il motore e attendere due (2) minuti. Accertarsi che il motore e la marmitta possano essere toccati in sicurezza.

L'olio esausto è un rifiuto pericoloso e deve essere smaltito correttamente. Non smaltire con i rifiuti domestici. Rivolgersi alle autorità locali, al centro assistenza o al rivenditore per le strutture di smaltimento/riciclo.

Rimozione dell'olio

1. Con il motore SPENTO ma ancora caldo, scollegare i fili della candela (D, Figura 13) e tenerli lontani dalla candela (E).
2. Togliere l'astina (A, Figura 14, 15).
3. Rimuovere il tappo di drenaggio dell'olio (F, Figura 16, 17). Spurgare l'olio in un contenitore approvato.
4. Installare e serrare il tappo di scarico dell'olio (F, Figura 16, 17).

Cambiare il filtro dell'olio, se presente

1. Scolare l'olio dal motore. Fare riferimento alla sezione **Rimozione dell'olio**.
2. Rimuovere il filtro dell'olio (G, Figure 18, 19) e smaltirlo correttamente.
3. Prima di installare il nuovo filtro dell'olio, lubrificare leggermente la guarnizione del filtro dell'olio con olio pulito.
4. Installare a mano il filtro dell'olio fino a che la guarnizione non tocca l'adattatore del filtro dell'olio, quindi avvitare il filtro dell'olio da 1/2 a 3/4 di giro.
5. Aggiungere olio. Fare riferimento alla sezione **Rabbocco dell'olio**.
6. Avviare e far funzionare il motore. Quando il motore è caldo, controllare che non ci siano perdite d'olio.
7. Arrestare il motore. Accertarsi che il livello dell'olio raggiunga la parte superiore dell'indicatore di pieno sull'astina di livello. Fare riferimento alla sezione **Rabbocco dell'olio**.

Rifornimento di olio

- Accertarsi che il motore sia a livello.
- Eliminare i detriti dall'area di riempimento dell'olio.
- Vedere la sezione **Specifiche** per la capacità coppa olio.

1. Togliere l'astina (A, Figura 20, 21). Utilizzare un panno pulito per rimuovere l'olio dall'astina.
2. Rabboccare lentamente l'olio nel motore (C, Figure 20, 21) **Non riempire troppo**. Attendere un minuto prima di effettuare il controllo del livello dell'olio.
3. Installare e serrare l'astina di livello (A, Figure 20, 21).
4. Estrarre l'astina di livello e controllare il livello dell'olio. Il livello dell'olio corretto è nella parte superiore dell'indicatore di pieno (B, Figure 20, 21) sull'astina.
5. Installare e serrare l'astina di livello (A, Figure 20, 21).
6. Collegare il/i filo/i della candela di accensione (D, Figura 20) alla/e candela/e stessa/e.

Manutenzione del filtro dell'aria



AVVERTENZA

I vapori del carburante sono infiammabili ed esplosivi. Gli incendi e le esplosioni possono provocare bruciature gravi o morte.

- Non avviare né far funzionare il motore con il gruppo di filtraggio dell'aria (se in dotazione) o il filtro dell'aria (se in dotazione) rimossi.

NOTA

Non usare aria pressurizzata né solventi per pulire il filtro. L'aria compressa può danneggiare il filtro, mentre i solventi possono corrodere.

Consultare la **Tabella di manutenzione** per i requisiti di assistenza.

Alcuni modelli sono dotati di un pre-filtro che può essere pulito e riutilizzato. Confrontare le illustrazioni in questo manuale con il tipo installato sul motore.

- Modelli senza serbatoio del carburante:** Aprire i fermi (A, Figura 22) e rimuovere il coperchio (B).
- Modelli con serbatoio del carburante:** Rimuovere i fermi (C, Figura 23) e il coperchio (D).
- Rimuovere il dado (D, Figure 22, 23) e il bloccante (E).
- Rimuovere il filtro dell'aria (F, Figure 22, 23).
- Rimuovere il pre-filtro (G, Figure 22, 23), se presente, dal filtro dell'aria (F).
- Per togliere i detriti, battere delicatamente il filtro (F, Figure 22, 23) su una superficie dura. Se il filtro dell'aria è sporco, sostituirlo con uno nuovo.
- Lavare il pre-filtro (G, Figure 22, 23), se presente, con detergente liquido e acqua. Lasciare che il pre-filtro si asciughi completamente. **NON** lubrificare il pre-filtro.
- Montare il pre-filtro asciutto (G, Figure 22, 23), se presente, sul filtro dell'aria (F).
- Installare il filtro dell'aria (F, Figure 22, 23) e fissarlo con il bloccante (E) e il dado (D).
- Installare il coperchio (B, Figure 22, 23).

Manutenzione dell'impianto carburante



AVVERTENZA
Il carburante e i suoi vapori sono infiammabili ed esplosivi. Gli incendi e le esplosioni possono provocare bruciature gravi o morte.

- Tenere il carburante lontano da scintille, fiamme libere, fiamme pilota, calore e altre fonti di accensione.
- Esaminare frequentemente le linee del carburante, il serbatoio carburante, il tappo del carburante e i collegamenti per individuare crepe o perdite. Sostituire le parti danneggiate.
- Se il carburante si versa, attendere che si asciughi prima di avviare il motore.

Filtro del carburante, se installato

- Prima sostituire il filtro del carburante (A, Figura 24), scaricare il serbatoio carburante o chiudere il rubinetto di chiusura del carburante. Se il serbatoio carburante non viene scaricato, il carburante potrebbe fuoriuscire e provocare un incendio o un'esplosione.
- Stringere le alette (B, Figura 24) sulle fascette (C) con delle pinze. Allontanare le fascette dal filtro del carburante (A).
- Ruotare e sfilare i tubi di alimentazione del carburante (D, Figura 24) dal filtro del carburante.
- Verificare che il sistema di alimentazione (D, Figura 24) non presenti crepe o perdite. Se necessario, sostituire i tubi del carburante.
- Sostituire il filtro del carburante (A, Figura 24).
- Collegare i tubi del carburante (D, Figura 24) con le fascette (C).

Manutenzione del sistema di raffreddamento



AVVERTENZA
Durante il funzionamento, il motore e la marmitta possono scaldarsi. Se si tocca un motore caldo, possono verificarsi ustioni.

Detriti infiammabili come foglie, erba e arbusti, possono prendere fuoco.

- Prima di toccare il motore o la marmitta, arrestare il motore e attendere due (2) minuti. Accertarsi che il motore e la marmitta possano essere toccati in sicurezza.
- Rimuovere i detriti dalla marmitta e dal motore.

NOTA

Non utilizzare acqua per pulire il motore. L'acqua potrebbe contaminare l'impianto del carburante. Utilizzare un pennello o un panno asciutto per pulire il motore.

Questo è un motore raffreddato ad aria. La presenza di sporco o detriti possono impedire il passaggio del flusso dell'aria e causare il surriscaldamento del motore, comportando scarse prestazioni e riducendo la durata del motore.

- Utilizzando una spazzola o un panno asciutto, rimuovere i detriti dalla griglia di aspirazione dell'aria.
- Tenere sempre puliti la tiranteria, le molle ed i comandi.
- Tenere pulita l'area intorno e dietro la marmitta, se in dotazione, da materiali infiammabili.
- Accertarsi che le alette del radiatore dell'olio, se in dotazione, siano pulite.

Dopo un periodo di tempo, i detriti possono accumularsi nelle alette di raffreddamento del cilindro e causare il surriscaldamento del motore. Questo materiale indesiderato non può essere rimosso senza smontare parzialmente il motore. Per l'ispezione e la pulizia del sistema di raffreddamento ad aria, contattare un'Officina autorizzata Briggs & Stratton conformemente alle raccomandazioni del **Programma di manutenzione**.

Rimessaggio Impianto carburante

Vedere la Figura: 25.



AVVERTENZA
Il carburante e i suoi vapori sono infiammabili ed esplosivi. Gli incendi e le esplosioni possono provocare bruciature gravi o morte.

Conservazione del carburante

- Poiché le fiamme pilota o altre fonti di accensione possono causare esplosioni, conservare il carburante o le altre apparecchiature lontano da forni, stufe, caldaie o altri dispositivi con fiamme pilota.

Mantenere il motore in piano (posizione di funzionamento normale). Riempire il serbatoio carburante (A, Figura 25) con carburante. Per consentire l'espansione del carburante, non riempire oltre il collo del serbatoio carburante (B).

Se conservato per più di 30 giorni in un contenitore, il carburante può diventare vecchio. Utilizzare uno stabilizzatore senza alcol e un trattamento all'etanolo nel contenitore usato per conservare il carburante e mantenerlo fresco.

Quando si riempie il contenitore con il carburante, aggiungere uno stabilizzatore senza alcol come specificato nelle istruzioni del produttore. Se non è stata trattata con uno stabilizzatore di carburante, la benzina presente nel motore deve essere drenata in un contenitore approvato. Avviare il motore e attendere che termini il carburante.

Olio motore

Mentre il motore è ancora caldo, cambiare l'olio. Fare riferimento alla sezione **Cambio dell'olio del motore**.

Individuazione e correzione dei problemi Assistenza

Per assistenza, contattare il rivenditore locale, visitare **BRIGGSandSTRATTON.COM** o chiamare il numero **1-800-444-7774** (negli USA).

Specifiche

Specifiche e Pezzi di ricambio

MODELLI: 290000, 300000	
Cilindrata	29.23 ci (479 cc)
Alesaggio	2.677 poll. (68 mm)
Corsa	2.598 poll. (66 mm)
Capacità coppa olio	46 - 48 oz (1,36 - 1,42 L)
Distanza elettrodo candele	.030 poll. (.76 mm)
Coppia di serraggio candela	180 lb-poll. (20 Nm)
Intraferro indotto - Modelli di carburatore	.008 - .012 poll. (.20 - .30 mm)
Distanza valvola di aspirazione	.004 - .006 poll. (.10 - .15 mm)
Distanza valvola di scarico	.004 - .006 poll. (.10 - .15 mm)

MODELLO: 350000	
Cilindrata	34.78 ci (570 cc)
Alesaggio	2.835 poll. (72 mm)
Corsa	2.756 poll. (70 mm)
Capacità coppa olio	46 - 48 oz (1,36 - 1,42 L)
Distanza elettrodo candele	.030 poll. (.76 mm)
Coppia di serraggio candela	180 lb-poll. (20 Nm)
Intraferro indotto - Modelli di carburatore	.008 - .012 poll. (.20 - .30 mm)
Distanza valvola di aspirazione	.004 - .006 poll. (.10 - .15 mm)
Distanza valvola di scarico	.004 - .006 poll. (.10 - .15 mm)

MODELLO: 380000	
Cilindrata	38.26 ci (627 cc)
Alesaggio	2.972 poll. (75,5 mm)
Corsa	2.756 poll. (70 mm)
Capacità coppa olio	46 - 48 oz (1,36 - 1,42 L)
Distanza elettrodo candele	.030 poll. (.76 mm)

MODELLO: 380000

Coppia di serraggio candela	180 lb-poll. (20 Nm)
Intraferro indotto - Modelli di carburatore	.008 - .012 poll. (.20 - .30 mm)
Distanza valvola di aspirazione	.004 - .006 poll. (.10 - .15 mm)
Distanza valvola di scarico	.004 - .006 poll. (.10 - .15 mm)

La potenza del motore diminuisce del 3,5% ogni 300 metri (1.000 piedi) sul livello del mare e dell'1% ogni 5,6 °C (10 °F) sopra i 25° C (77 °F). Il motore funzionerà in modo soddisfacente ad un'angolazione massima di 15°. Fare riferimento al Manuale dell'operatore dell'attrezzatura per i limiti di funzionamento in sicurezza sui tratti in pendenza.

MODELLI: 290000, 300000, 350000, 380000

Pezzo di ricambio	Codice parte
Filtro dell'aria (con serbatoio del carburante, Figura 23)	383857
Filtro dell'aria (tranne Modello 380000, Figura 22)	394018
Filtro dell'aria (Modello 380000, 22)	692519
Filtro dell'aria, pre-filtro (con serbatoio del carburante, Figura 23)	271794
Filtro dell'aria, pre-filtro (tranne Modello 380000, Figura 22)	272490
Filtro dell'aria, pre-filtro (Modello 380000, Figura 22)	692520
Olio - SAE 30	100028
Filtro dell'olio	842921
Filtro del carburante (con serbatoio del carburante)	808116
Filtro del carburante (con pompa del carburante)	845125
Filtro del carburante (senza pompa del carburante)	298090
Candela con resistore	491055S
Candela al platino di lunga durata	696202, 5066K
Chiave per candele	19576S
Tester di scintilla	84003327

Si consiglia di contattare un rivenditore autorizzato Briggs & Stratton per tutte le operazioni di assistenza e manutenzione del motore e dei relativi componenti.

Potenza Nominale

La potenza nominale lorda per i singoli modelli di motore a benzina è etichettata in conformità con lo standard Small Engine Power & Torque Rating Procedure codice J1940 della SAE (Society of Automotive Engineers) ed è classificata conformemente a SAE J1995. I valori di coppia sono calcolati a 2600 RPM per i motori con la dicitura "rpm" sull'etichetta e a 3060 RPM per tutti gli altri motori; i valori di potenza in cavalli sono calcolati a 3600 RPM. Le curve di potenza lorda possono essere visualizzate sul sito www.BRIGGSandSTRATTON.COM. I valori di potenza netti sono ricavati con marmitta e filtro dell'aria installati mentre i valori di potenza lordi sono ricavati senza questi accessori. La potenza lorda reale del motore sarà superiore a quella netta ed è influenzata, fra altri fattori, da condizioni operative ambientali e variabilità da motore a motore. Data la vasta gamma di prodotti su cui sono installati i motori, il motore a benzina potrebbe non sviluppare la potenza lorda nominale quando usato su una data apparecchiatura. La differenza è dovuta a diversi fattori compreso, ma non esclusivamente, a varietà dei componenti del motore (filtro dell'aria, marmitta, carica, raffreddamento, carburatore, pompa del carburante, ecc.), restrizioni applicative, condizioni operative ambientali (temperatura, umidità, altitudine) e variabilità da motore a motore. A causa di limitazioni di produzione e di capacità, Briggs & Stratton potrà sostituire questo motore di serie con un motore di potenza nominale superiore.

Garanzia

Garanzia per il motore Briggs & Stratton®

Decorrenza agosto 2022

Garanzia limitata

Briggs & Stratton garantisce che, durante il periodo di garanzia specificato di seguito, provvederà alla riparazione o alla sostituzione gratuita, a sua esclusiva discrezione, di parti che presentino difetti di materiale o di lavorazione o entrambi con parti nuove, rettifiche o riprodotte. Le spese di trasporto del prodotto di cui si richiede la sostituzione o riparazione in garanzia sono a carico dell'acquirente. La presente garanzia risulta valida per il periodo di tempo indicato nel presente documento ed è soggetta alle condizioni indicate di seguito. Per l'assistenza in garanzia, è possibile individuare l'Officina autorizzata più vicina tramite la nostra mappa Trova officina all'indirizzo BRIGGSandSTRATTON.COM. L'acquirente dovrà contattare l'Officina autorizzata e mettere a disposizione di quest'ultima il prodotto per l'ispezione e la verifica.

Non vi è alcun'altra garanzia esplicita. Le garanzie implicite, comprese quelle di commerciabilità e adeguatezza ad uno scopo particolare, si limitano a un

anno dalla data di acquisto o nella misura in cui è consentito dalla legge. È esclusa ogni altra garanzia implicita. Le responsabilità per danni incidentali o indiretti sono escluse nella misura consentita dalla legge. Alcuni stati o paesi non permettono limitazioni al periodo di validità di una garanzia implicita e alcuni stati o paesi non permettono l'esclusione o la limitazione della responsabilità per danni incidentali o indiretti, per cui le limitazioni sopra riportate potrebbero non applicarsi al vostro caso. La presente garanzia concede all'utente specifici diritti legali e lo stesso potrebbe avere altri diritti che variano da stato a stato o da Paese a Paese.

Termini di garanzia standard^{1, 2}

Vanguard®; Commercial Series

Uso privato - 36 mesi

Uso industriale - 36 mesi

Serie XR

Uso privato - 24 mesi

Uso industriale - 24 mesi

Tutti gli altri motori con manicotti in ghisa Dura-Bore™

Uso privato - 24 mesi

Uso industriale - 12 mesi

Tutti gli altri motori

Uso privato - 24 mesi

Uso industriale - 3 mesi

¹ I presenti costituiscono i termini standard di garanzia, ma occasionalmente può essere prevista un'ulteriore copertura della garanzia, non determinata al momento della pubblicazione. Per un elenco completo dei termini di garanzia attuali applicati al proprio motore, visitare BRIGGSandSTRATTON.COM, oppure contattare un'Officina autorizzata Briggs & Stratton.

² Tale garanzia non è applicabile ai motori di apparecchi utilizzati per fornire potenza in sostituzione di un motore di servizio, ai generatori di standby usati per scopi commerciali, ai veicoli utilitari che superano le 25 MPH o ai motori utilizzati per corse o su tratte commerciali o da noleggio.

* In Australia - I nostri prodotti hanno garanzie che non possono essere escluse ai sensi della legge australiana a tutela dei consumatori. L'utente ha diritto alla sostituzione o al rimborso in caso di guasto grave e ad un indennizzo per ogni altra perdita o danno ragionevolmente prevedibile. L'utente ha pertanto diritto alla riparazione o alla sostituzione della merce qualora questa non sia di qualità accettabile e il guasto non sia equiparabile a un guasto grave. Per l'assistenza in garanzia, trovare l'Officina autorizzata più vicina usando il numero Trova officina fornito su BRIGGSandSTRATTON.COM, chiamando il numero 1300 274 447, inviando un'e-mail all'indirizzo salesenquiries@briggsandstratton.com.au o scrivendo a Briggs & Stratton Australia Pty Ltd, 1 Moorebank Avenue, Moorebank, NSW, Australia, 2170.

Il periodo di garanzia inizia alla data di acquisto del primo consumatore o utente professionale e si conclude come indicato nella tabella. Per "uso privato" si intende l'utilizzo effettuato da un acquirente al dettaglio presso la propria residenza. Per "uso commerciale" si intendono tutti gli altri usi, compresi gli usi commerciali, che generano reddito o il noleggio. Dopo che un motore è stato utilizzato ad uso professionale, sarà sempre classificato come motore per uso professionale ai fini di questa polizza di garanzia.

Per ottenere assistenza in garanzia per i prodotti Briggs & Stratton non è richiesta alcuna registrazione. Conservare lo scontrino di ricevuta dell'acquisto. Qualora l'acquirente non sia in grado di fornire la prova della data dell'acquisto iniziale nel momento della richiesta di assistenza, il periodo di garanzia verrà determinato utilizzando la data di produzione.

Informazioni sulla garanzia

La presente garanzia copre esclusivamente i difetti del motore dovuti a difetti di materiale e/o lavorazione e non la sostituzione o il rimborso dell'attrezzatura sulla quale il motore può essere installato. La presente garanzia non copre la manutenzione di routine, le regolazioni, le correzioni o la normale usura. Inoltre, la presente garanzia non si applica in caso di alterazioni o modifiche del motore o in caso di rimozione o manomissione del numero di serie. La presente garanzia non copre danni al motore o problemi di performance causati da:

1. L'uso di pezzi nonBriggs & Stratton
2. Azionamento del motore con un olio lubrificante insufficiente, impuro o di grado scorretto;
3. L'uso di carburante impuro o vecchio, benzine formulate con un contenuto di etanolo superiore al 10% o l'uso di carburanti alternativi, come GPL o gas naturale su motori che non erano originariamente progettati/fabbricati da Briggs & Stratton per lavorare con simili carburanti;
4. Sporizia penetrata all'interno del motore a causa di manutenzione e rimontaggio non corretti del filtro dell'aria;
5. L'urto contro un oggetto solido da parte della lama di taglio di una falciatrice rotativa, adattatori delle lame, giranti o altri dispositivi accoppiati all'albero motore allentati o installati scorrettamente oppure a causa di un'eccessiva tensione della cinghia trapezoidale;

6. Parti combinate o gruppi quali frizioni, trasmissioni, attrezzature di comando, ecc., non forniti da Briggs & Stratton;
7. Surriscaldamento causato da residui d'erba, sporcizia e detriti o nidi di roditori che tappano o intasano le alette di raffreddamento o l'area del volano o dall'azionamento del motore senza ventilazione sufficiente;
8. Vibrazioni eccessive causate da velocità eccessiva, montaggio del motore allentato, lame di taglio o giranti allentate o sbilanciate o accoppiamento improprio dei componenti dell'attrezzatura sull'albero motore;
9. Uso improprio, assenza di manutenzione di routine, spedizione, manipolazione o magazzinaggio dell'attrezzatura o installazione scorretta del motore.

L'assistenza in garanzia è disponibile esclusivamente presso le officine autorizzate Briggs & Stratton. Localizzare l'Officina autorizzata più vicina sulla mappa Trova officina su BRIGGSandSTRATTON.COM o chiamare il numero 1-800-444-7774 (negli USA).

80114782 (Revisione A)

Not for reproduction

Algemene informatie



Deze handleiding bevat de veiligheidsinformatie over de gevaren en risico's met betrekking tot de motor en hoe u deze kunt voorkomen. Hij bevat ook de juiste bediening en het onderhoud van deze motor. Het is belangrijk dat u deze instructies leest, begrijpt en opvolgt. **Bewaar deze handleiding voor later gebruik.**

OPMERKING: De Afbeeldingen en illustraties in deze handleiding zijn uitsluitend bedoeld als informatie en kunnen afwijken van het model motor dat u heeft. Gebruik de Afbeeldingen die overeenkomen met uw motorconfiguratie. Neem indien noodzakelijk contact op met een erkende servicedealer.

Noteer de aankoopdatum, het motormodel, het type, de uitvoering en het motorserienummer voor vervangende onderdelen. Deze nummers staan op uw motor. Raadpleeg het gedeelte **Functies en bedieningselementen**.

Aankoopdatum	
Motormodel - Type - Uitrusting	
Serienummer motor	

Contactinformatie voor Europees kantoor

Voor vragen gerelateerd aan Europese emissies kunt u contact opnemen met ons Europese kantoor:

Max-Born-Straße 2, 68519 Viernheim, Duitsland.

Fase V (5) van de Europese Unie (EU): Kooldioxide (CO₂)-niveaus

Voer CO₂ in het zoekvenster op BriggsandStratton.com in om de kooldioxydewaarden van Briggs & Stratton EU-typegoedkeuringscertificaten te vinden.

Recycling-informatie



Recycle alle dozen, gebruikte olie en batterijen zoals aangegeven door overheidsvoorschriften.

Veiligheid van de gebruiker

Veiligheidssymbool en signaalwoorden



Het veiligheidssymbool duidt veiligheidsinformatie aan over gevaren die persoonlijk letsel tot gevolg kunnen hebben. Een signaalwoord (**GEVAAR**, **WAARSCHUWING**, of **VOORZICHTIG**) wordt gebruikt om te wijzen op de waarschijnlijkheid en de mogelijke ernst van het letsel. Verder wordt een gevarensymbool gebruikt om het soort gevaar aan te duiden.

GEVAAR duidt op een risico, dat indien het niet wordt vermeden, de dood of ernstig lichamelijk letsel tot gevolg zal hebben.

WAARSCHUWING duidt op een risico, dat indien het niet wordt vermeden, kan leiden tot de dood of een ernstig lichamelijk letsel.

VOORZICHTIG duidt op een gevaar dat, indien het niet wordt voorkomen, kan resulteren in licht of matig letsel.

OPGEPAST geeft informatie aan die wel belangrijk wordt geacht, maar niet gerelateerd is aan gevaar.

Gevarensymbolen en hun betekenis

	Veiligheidsinformatie over gevaren die tot persoonlijk letsel kunnen leiden.		Zorg dat u de gebruiksaanwijzing hebt gelezen en begrepen voordat u de eenheid bedient of onderhoud aan de eenheid uitvoert.
	Brandgevaar		Explosiegevaar

	Gevaar voor schokken		Giftigedampengevaar
	Heteoppervlakkengevaar		Gevaar voor terugslag
	Gevaar voor amputatie - Bewegende onderdelen		Brandstofniveau - Maximum Voeg niet te veel brandstof toe

Veiligheidsberichten



WAARSCHUWING

De motoren van Briggs & Stratton® zijn niet bedoeld voor en mogen niet worden gebruikt met: funkkarts, go-karts, kinder-, vrijetijds- of terreinvoertuigen (ATVs), motorfietsen, hovercrafts, luchtvaartproducten of voertuigen die worden gebruikt bij wedstrijden die niet zijn goedgekeurd door Briggs & Stratton. Ga voor meer informatie over producten voor racewedstrijden naar www.briggsracing.com. Neem voor gebruik in zij-aan-zij ATVs en naast elkaar geplaatste terreinwagens contact op met het Briggs & Stratton Power Application Center, 1-866-927-3349. Onjuist gebruik van de motor kan ernstig letsel of de dood tot gevolg hebben.



WAARSCHUWING

Brandstof en brandstofdampen zijn ontvlambaar en explosief. Brand of explosies kunnen brandwonden of de dood tot gevolg hebben.

Wanneer u brandstof bijvult

- Stop de motor. Wacht minimaal twee (2) minuten voordat u de brandstofvuldop verwijdt om er zeker van te zijn dat de motor is afgekoeld.
- Vul de brandstoftank in de buitenlucht of in een gebied met een goede luchtstroming.
- Doe niet te veel brandstof in de tank. Vul de brandstoftank niet voorbij de onderkant van de vulhals omdat de brandstof uitzet.
- Houd brandstof uit de buurt van vonken, open vuur, waakvlammen, hitte en andere ontstekingsbronnen.
- Controleer regelmatig de brandstofleidingen, brandstoftank, brandstofvuldop en aansluitingen op scheuren of lekkages. Vervang beschadigde onderdelen.
- Indien brandstof wordt gemorst, wacht tot deze verdampt is voordat u de motor start.

Wanneer u de motor start

- Zorg ervoor dat de bougie, de demper, de brandstofvuldop en het luchtfilter (indien aanwezig) correct geïnstalleerd zijn.
- Tracht de motor niet te starten terwijl de bougie verwijderd is.
- Als de motor verzopen is, zet u de choke (indien aanwezig) in de stand OPEN of AAN. Zet de gashendel (indien aanwezig) in de stand SNEL en start de motor tot deze aanslaat.
- Indien er lekkend aardgas of LP Gas in de buurt is, mag u de motor niet starten.
- Omdat de dampen brandbaar zijn, mag u geen onder druk staande startvloeistoffen gebruiken.

Wanneer u de machine bedient

- Kantel de motor of machine niet tot een hoek die veroorzaakt dat er brandstof gemorst wordt.
- Choke de carburateur (indien aanwezig) niet om de motor te stoppen.
- Start en gebruik de motor niet als de luchtreiniger (indien aanwezig) of het luchtfilter (indien aanwezig) is verwijderd.

Wanneer u onderhoud uitvoert

- Als u de olie aftapt uit de olievluis aan de bovenkant, dan moet de brandstoftank leeg zijn. Als deze niet leeg is, kan er brandstoflekkage optreden die brand of een explosie tot gevolg kan hebben.
- Als het noodzakelijk is om tijdens het onderhoud de machine te kantelen, zorg er dan voor dat de brandstoftank, indien gemonteerd op de motor, leeg is en dat de zijde met de bougie omhoog is. Als de brandstoftank niet leeg is, kan er brandstoflekkage optreden dat brand of een explosie tot gevolg kan hebben.
- Controleer regelmatig de brandstofleidingen, brandstoftank, brandstofvuldop en aansluitingen op scheuren of lekkages. Vervang beschadigde onderdelen.
- Wijzig de reguleerder, koppelingen of andere onderdelen niet om het motortoerental te verhogen.
- Sla niet met een hamer of hard voorwerp op het vliegwiel. Dit kan het uitvallen van het vliegwiel tijdens de bediening tot gevolg hebben.

- Vervangende onderdelen moeten identiek zijn aan, en op dezelfde positie worden geïnstalleerd als, de originele onderdelen. Andere onderdelen kunnen schade of letsel tot gevolg hebben.

Wanneer u de locatie van de machine verplaatst

- Zorg ervoor dat de brandstoftank LEEG is of dat de brandstofafsluitklep in de stand GESLOTEN (DICHT) staat.

Wanneer brandstof of de machine met brandstof in de brandstoftank wordt opgeslagen

- Omdat waakvlammen of andere ontstekingsbronnen explosies kunnen veroorzaken, moet u brandstof of de machine uit de buurt houden van ovens, kachels, boilers of andere apparaten met waakvlammen.



WAARSCHUWING

Brandstof en brandstofdampen zijn ontvlambaar en explosief. Brand of explosies kunnen brandwonden of de dood tot gevolg hebben.

Het starten van de motor veroorzaakt vonken die brand of een explosie tot gevolg kunnen hebben.

- Indien er lekkend aardgas of LP Gas in de buurt is, mag u de motor niet starten.
- Omdat de dampen brandbaar zijn, mag u geen onder druk staande startvloeistoffen gebruiken.



WAARSCHUWING

GEVAAR VAN GIFTIG GAS. Motoruitlaatgassen bevatten koolmonoxide, een giftig gas dat u binnen enkele minuten doodt. Ook al ruikt u de uitlaatgassen niet, u kunt toch zijn blootgesteld aan gevaarlijke koolmonoxide. Als u zich tijdens het gebruik van deze machine misselijk, duizelig of zwak voelt, schakel het dan uit en ga METEEN de frisse lucht in. Raadpleeg een arts. Het kan zijn dat u koolmonoxidevergiftiging heeft.

- Koolmonoxidegas kan zich in bewoonde ruimten verzamelen. Om de kans te verkleinen dat zich koolstofmonoxidegas ophoopt en naar ruimten wordt getrokken waar zich personen bevinden moet u dit product ALLEEN buiten gebruiken, ver uit de buurt van vensters, deuren en ventilatieopeningen.
- Plaats koolmonoxidemelders op batterijen of melders op netvoeding met reservebatterij zoals gespecificeerd door de instructies van de fabrikant. Rookmelders kunnen geen koolmonoxide detecteren.
- Gebruik dit product NIET in huizen, garages, kelders, kruipruimten, schuurtjes of andere gesloten ruimten, ook niet met gebruik van ventilatoren of met geopende deuren en of ramen als ventilatie. Na het gebruik van dit product kan koolmonoxide zich snel in deze ruimten verzamelen en uren blijven hangen.
- Plaats dit product ALTIJD met de wind mee en richt de uitlaat van de motor altijd van bewoonde ruimten weg.



WAARSCHUWING

Snel terugtrekken van het startkoord (terugslag) zal uw hand en arm sneller naar de motor toetrekken dan u kunt loslaten. Gebroken botten, breuken, kneuzingen of verstuikingen kunnen het gevolg zijn.

- Om terugslag te voorkomen bij het starten van de motor moet het startkoord langzaam uitgetrokken tot er weerstand gevoeld wordt en dan moet er snel aan getrokken worden.
- Voordat u de motor start, moet u alle externe machine- en motorbelastingen verwijderen.
- Zorg ervoor dat direct verbonden machinecomponenten zoals, maar niet beperkt tot, messen, aandrijvingen, poelies en tandwielen correct bevestigd zijn.



WAARSCHUWING

Draaiende onderdelen kunnen handen, voeten, haar, kleding of accessoires verstrikken en traumatische amputatie of scheurwonden tot gevolg hebben.

- Bedien de machine met de beschermkappen correct geïnstalleerd.
- Houd handen en voeten weg van draaiende onderdelen.
- Verwijder sieraden en zorg ervoor dat lang haar uit de buurt blijft van alle draaiende delen.
- Draag geen losse kleding of voorwerpen die vast kunnen komen te zitten.



WAARSCHUWING

Tijdens het gebruik worden de motor en de demper heet. Als u een hete motor aanraakt, kan dit thermische brandwonden veroorzaken.

Brandbare materialen, zoals bladeren, gras, snoeihout enz. kunnen vlam vatten.

- Voordat u de motor of demper aanraakt, stop de motor en wacht twee (2) minuten. Zorg ervoor dat de motor en de demper veilig zijn om aan te raken.
- Verwijder vuil van de demper en de motor.

Overeenkomstig de California Public Resource Code Sectie 4442 is het verboden de motor te gebruiken in de buurt van een bos-, kreupelhout- of grasgebied tenzij het uitlaatsysteem is uitgerust met een vonkenvanger, zoals gedefinieerd in Sectie 4442, die in goede staat wordt gehouden. Andere staten of federale rechtsgebieden hebben mogelijk vergelijkbare wetten; raadpleeg Federaal Voorschrift 36 CFR Deel 261.52. Neem contact op met de fabrikant, verkoper of dealer om een vonkenvanger te verkrijgen die geschikt is voor het op deze motor gemonteerde uitlaatsysteem.



WAARSCHUWING

Een spontane vonk van de motor kan een elektrische schok, brand of explosie veroorzaken en kan verstrikking, traumatische amputatie of ander letsel tot gevolg hebben.

Voordat u aanpassingen maakt of reparaties uitvoert:

- Ontkoppel alle bougiekabels en houd deze weg van de bougies.
- Koppel de accukabel los van de negatieve accupool (alleen motoren met elektrische start).
- Gebruik uitsluitend het correcte gereedschap.

Wanneer u op vonkvorming controleert:

- Gebruik een goedgekeurde bougie tester.
- Controleer niet op vonkvorming met de bougie verwijderd.



WAARSCHUWING

Brandstof dampen zijn ontbrandbaar en explosief. Brand of explosies kunnen brandwonden of de dood tot gevolg hebben.

Als u gas ruikt

- De motor niet starten.
- Schakel geen elektrische schakelaars aan.
- Geen telefoon in de buurt gebruiken.
- Verlaat de omgeving.
- Neem contact op met de gasleverancier of de brandweer.

Funcities en bedieningselementen

Motorbedieningen









Vergelijk de letters in afbeeldingen 1, 2, 3 en 4 met de motorbedieningen in de onderstaande lijst:

- Motoridentificatienummers **Model - Type - Code**
- Bougie
- Luchtreiniger (zonder brandstoftank)
- Luchtreiniger (met brandstoftank)
- Peilstok
- Olievulopening
- Oliefilter (indien geïnstalleerd)
- Olieaftapplug
- Oliedruksensor
- Vingerbescherming
- Elektrische Starter
- Repeteerstarter (indien geïnstalleerd)
- Carburateur - Carburateur modellen
- Demper
- Brandstofpomp
- Startschakelaar¹
- Gashendel¹
- Chokeregeling¹
- Brandstoffilter (indien geïnstalleerd)

- T. Brandstoftank
- U. Brandstofkraan (indien geïnstalleerd)¹
- V. Stopschakelaar (indien geïnstalleerd)¹
- W. Oliekoeler (indien geïnstalleerd)
- X. Brandstofpompmodule - EFI-modellen
- Y. Elektronische bedieningsmodule - EFI-modellen
- Z. Brandstofinjectie - EFI Modellen

¹ Sommige motoren en apparatuur hebben afstandsbedieningen. Kijk in de betreffende handleiding voor de locatie en de bediening van de afstandsbediening.

Motorbedieningssymbolen en hun betekenis

 Motortoerental - SNEL	 Motortoerental - LANGZAAM
 Motortoerental - STOP	 AAN - UIT
 Motorstart Choke GESLOTEN (DICHT)	 Motorstart Choke OPEN
 Tankdop Brandstofkraan OPEN	 Brandstofkraan GESLOTEN (DICHT)

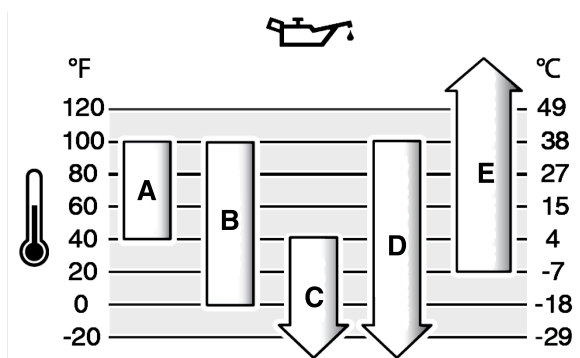
Bediening

Aanbevolen olie

Oliecapaciteit: Raadpleeg het hoofdstuk *Technische gegevens*.

We adviseren voor de beste prestaties het gebruik van door Briggs & Stratton[®] garantie gecertificeerde soorten olie. Andere hoogwaardige soorten reinigingsolie zijn toegestaan, mits deze geschikt zijn voor SF, SG, SH, SJ of hoger. Gebruik geen speciale additieven.

Bepaal met behulp van de tabel de beste viscositeit voor het verwachte bereik van de buitentemperatuur. Motoren op tuinmachines functioneren goed met 5W-30 Synthetische olie. Voor machines die bij hoge temperaturen gebruikt worden, biedt Vanguard[®] 15W-50 synthetische olie de beste bescherming.



A	SAE 30 - Onder 40 °F (4 °C) leidt het gebruik van SAE 30 tot problemen bij het starten.
B	10W-30 - Boven 80 °F (27 °C) kan het gebruik van 10W-30 leiden tot een hoger oliegebruik. Controleer het oliepeil regelmatig.
C	5W-30
D	Synthetisch 5W-30
E	Vanguard [®] Synthetisch 15W-50

Controleer het oliepeil

Voordat u olie controleert of bijvult

- Zorg ervoor dat de motor waterpas staat.
- Verwijder vuil rondom het oliepeilgebied.

- Raadpleeg hoofdstuk *Specificaties* voor de oliecapaciteit.

OPGEPAST

Deze motor werd door Briggs & Stratton zonder olie op transport gezet. Machinefabrikanten of dealers kunnen olie aan de motor hebben toegevoegd. Controleer voordat u de motor voor het eerst start of de olie op het juiste peil is. Vul olie bij volgens de instructies in deze handleiding. Als u de motor start zonder olie, zal er schade ontstaan en wordt de motor niet onder garantie gerepareerd.

1. Verwijder de peilstok (A, afbeelding 5) en maak deze met een doek schoon.
2. Plaats de peilstok en zet die vast (A, afbeelding 5).
3. Verwijder de peilstok en lees het oliepeil af. Zorg ervoor dat het oliepeil bovenaan bij de indicator voor vol staat (B, afbeelding 5) op de peilstok.
4. Als het oliepeil laag is voegt u langzaam olie toe via de olievlopening (C, afbeelding 5). U mag niet te veel olie bijvullen.
5. Wacht één minuut en controleer het oliepeil opnieuw. Zorg ervoor dat het oliepeil correct is.
6. Plaats de peilstok en zet die vast (A, afbeelding 5).

Beschermingssysteem tegen laag oliepeil (indien geïnstalleerd)

Op sommige motoren is een sensor voor laag oliepeil geïnstalleerd. Als het oliepeil laag is, toont de sensor een waarschuwingslampje of stopt het de motor. Stop de motor en voer deze stappen uit voordat u de motor start.

- Zorg ervoor dat de motor waterpas staat.
- Voer een controle van de olie uit. Raadpleeg het hoofdstuk *Oliepeil controleren*.
- Als het oliepeil laag is, moet u de correcte hoeveelheid olie bijvullen. Start de motor en controleer of het waarschuwingslampje (indien geïnstalleerd) niet aan gaat.
- Als het oliepeil niet laag is, start de motor niet. Neem contact op met een erkende servicedealer van Briggs & Stratton om het olieprobleem te verhelpen.

Aanbevolen brandstof

Brandstof moet aan de volgende vereisten voldoen:

- Schone, verse, loodvrije benzine.
- Minimaal 87 octaan/87 AKI (91 RON). Zie hieronder voor gebruik op grote hoogte.
- Benzine met tot 10% ethanol (gasohol) is toegestaan.

OPGEPAST

Gebruik geen niet-goedgekeurde benzine zoals E15 en E85. Meng geen olie in de benzine en pas de motor niet aan voor gebruik op alternatieve brandstoffen. Gebruik van niet-goedgekeurde brandstoffen kan beschadiging van motoronderdelen tot gevolg hebben, die niet onder de garantie worden gerepareerd.

Om het brandstofsysteem te beschermen tegen golvorming en corrosie, mengt u een alcoholvrije brandstofstabilisator en een ethanolbehandeling door de brandstof. Raadpleeg het hoofdstuk *Opslag*. Niet alle brandstoffen zijn gelijk. Verander bij start- of prestatieproblemen van tankstation of merk. Deze motor is gecertificeerd om op benzine te lopen. Het emissieregelsysteem voor gecarbureerde motoren is EM (motorwijzigingen). Het emissieregelsysteem voor motoren met elektronische brandstofinjectie zijn ECM (motorbesturingsmodule), MPI (multi-poort injectie), TBI (gasklepinjectie) en indien hiermee uitgerust een O2S (zuurstofsensor).

Grote hoogte

Bij hoogten boven 5.000 voet (1.524 meter) is benzine met een minimum van 85 octaan/85 AKI (89 RON) toegestaan.

Voor machines met carburator is afstelling voor werken op grote hoogte noodzakelijk om een goede werking te behouden. Werking zonder deze aanpassing zal leiden tot verminderde prestaties, verhoogd brandstofverbruik en verhoogde emissies. Raadpleeg een erkende Briggs & Stratton servicedealer voor instructies over de afstelling voor grote hoogtes. Het gebruik van de motor op hoogtes van minder dan 2.500 voet (762 meter) met de afstelling voor grote hoogtes wordt niet aanbevolen.

Bij motoren met elektronische brandstofinspuiting (EFI) is afstelling voor grote hoogten niet nodig.

Brandstof bijvullen



WAARSCHUWING

Brandstof en brandstofdampen zijn ontvlambaar en explosief. Brand of explosies kunnen brandwonden of de dood tot gevolg hebben.

Wanneer u brandstof bijvult

- Stop de motor. Wacht minimaal twee (2) minuten voordat u de brandstofvuldop verwijderd om er zeker van te zijn dat de motor is afgekoeld.
 - Vul de brandstoftank in de buitenlucht of in een gebied met een goede luchtstroming.
 - Doe niet te veel brandstof in de tank. Vul de brandstoftank niet voorbij de onderkant van de vulhals omdat de brandstof uitzet.
 - Houd brandstof uit de buurt van vonken, open vuur, waakvlammen, hitte en andere ontstekingsbronnen.
 - Controleer regelmatig de brandstofleidingen, brandstoftank, brandstofvuldop en aansluitingen op scheuren of lekkages. Vervang beschadigde onderdelen.
 - Indien brandstof wordt gemorst, wacht tot deze verdampt is voordat u de motor start.
1. Reinig het gebied rond de tankdop. Verwijder de tankdop.
 2. Vul de brandstoftank (A, afbeelding 6) met brandstof. Vul de brandstoftank niet tot boven de onderkant van de nek (B) omdat de brandstof zal uitzetten.
 3. Draai de tankdop vast.

De motor starten



WAARSCHUWING

Een spontane vonk van de motor kan een elektrische schok, brand of explosie veroorzaken en kan verstrikking, traumatische amputatie of ander letsel tot gevolg hebben.

Voordat u aanpassingen maakt of reparaties uitvoert:

- Ontkoppel alle bougiekabels en houd deze weg van de bougies.
- Koppel de accukabel los van de negatieve accupool (alleen motoren met elektrische start).
- Gebruik uitsluitend het correcte gereedschap.

Wanneer u op vonkvorming controleert:

- Gebruik een goedgekeurde bougie tester.
- Controleer niet op vonkvorming met de bougie verwijderd.



WAARSCHUWING

Snel terugtrekken van het startkoord (terugslag) zal uw hand en arm sneller naar de motor toetrekken dan u kunt loslaten. Gebroken botten, breuken, kneuzingen of verstuikingen kunnen het gevolg zijn.

- Om terugslag te voorkomen bij het starten van de motor moet het startkoord langzaam uitgetrokken tot er weerstand gevoeld wordt en dan moet er snel aan getrokken worden.
- Voordat u de motor start, moet u alle externe machine- en motorbelastingen verwijderen.
- Zorg ervoor dat direct verbonden machinecomponenten zoals, maar niet beperkt tot, messen, aandrijvingen, poelies en tandwielen correct bevestigd zijn.



WAARSCHUWING

GEVAAR VAN GIFTIG GAS. Motoruitlaatgassen bevatten koolmonoxide, een giftig gas dat u binnen enkele minuten doodt. Ook al ruikt u de uitlaatgassen niet, u kunt toch zijn blootgesteld aan gevaarlijke koolmonoxide. Als u zich tijdens het gebruik van deze machine misselijk, duizelig of zwak voelt, schakel het dan uit en ga METEEN de frisse lucht in. Raadpleeg een arts. Het kan zijn dat u koolmonoxidevergiftiging heeft.

- Koolmonoxidegas kan zich in bewoonde ruimten verzamelen. Om de kans te verkleinen dat zich koolstofmonoxidegas ophoopt en naar ruimten wordt getrokken waar zich personen bevinden moet u dit product ALLEEN buiten gebruiken, ver uit de buurt van vensters, deuren en ventilatieopeningen.
- Plaats koolmonoxidemelders op batterijen of melders op netvoeding met reservebatterij zoals gespecificeerd door de instructies van de fabrikant. Rookmelders kunnen geen koolmonoxide detecteren.
- Gebruik dit product NIET in huizen, garages, kelders, kruipruimten, schuurtjes of andere gesloten ruimten, ook niet met gebruik van ventilatoren of met geopende deuren en of ramen als ventilatie. Na het gebruik van dit product kan koolmonoxide zich snel in deze ruimten verzamelen en uren blijven hangen.
- Plaats dit product ALTIJD met de wind mee en richt de uitlaat van de motor altijd van bewoonde ruimten weg.

OPGEPAST

Deze motor werd door Briggs & Stratton zonder olie op transport gezet. Machinefabrikanten of dealers kunnen olie aan de motor hebben toegevoegd. Controleer voordat u de motor voor het eerst start of de olie op het juiste peil is. Vul olie bij volgens de instructies in deze handleiding. Als u de motor start zonder olie, zal er schade ontstaan en wordt de motor niet onder garantie gerepareerd.

OPMERKING: Uw machine kan afstandsbedieningen hebben. Raadpleeg de betreffende handleiding voor de locatie en de bediening van de afstandsbedieningen.

Typen startsystemen

Voordat u de motor start, moet u eerst het type startstelsel op uw motor weten. Uw motor heeft een van deze typen systemen.

- **Elektronische brandstofinjectie (EFI)-systeem:** Een EFI-systeem heeft geen choke of voorinpuitsysteem.
- **Elektronisch brandstofmanagementsysteem:** Een elektronisch brandstofmanagementsysteem omvat een elektronische regelunit die de motor en de temperatuursomstandigheden bewaakt. Het heeft geen handbediende choke of voorinpuising (primer).
- **Chokesysteem:** Dit type systeem heeft een choke voor gebruik bij lage temperaturen. Sommige modellen hebben een aparte chokeregeling, andere modellen hebben een gecombineerde choke en gashendelchoke. Op dit type zit geen primerknop.

Elektronisch brandstofinspuitsysteem (EFI)

1. Controleer de motorolie. Zie het deel *Oliepeil controleren*.
2. Zorg ervoor dat aandrijvingsbedieningen, indien aanwezig, zijn ontkoppeld.
3. Zet de brandstofkraan (A, afbeelding 7) (indien aanwezig) in de stand OPEN.
4. Druk de stopschakelaar (F, afbeeldingen 7, 8), indien aanwezig, in de stand AAN.
5. Zet de gashendel (B, afbeelding 8), indien aanwezig, in de stand SNEL. Gebruik de motor in de stand SNEL.
6. **Repeteerstarter, indien voorzien van een start sleutel:** Draai de start sleutel (D, afbeeldingen 7, 8) in de stand AAN.
7. **Repeteerstarter, indien aanwezig:** Houd de startkoordhendel (E, afbeeldingen 7, 8) stevig vast. Trek de startkoordhendel langzaam uit tot u weerstand voelt, trek vervolgens snel.



WAARSCHUWING

Wanneer het startkoord zich snel terugtrekt (terugslag), worden uw hand en arm sneller naar de motor getrokken dan u kunt loslaten. Gebroken botten, breuken, kneuzingen of verstuikingen kunnen het resultaat zijn. Om terugslag te voorkomen bij het starten van de motor moet het startkoord langzaam uitgetrokken tot er weerstand gevoeld wordt en dan moet er snel aan getrokken worden.

8. **Elektrische start, indien hiermee uitgerust:** Draai de elektrische startschakelaar (D, afbeeldingen 7, 8) in de stand AAN of START.

OPGEPAST Start altijd kort (maximaal vijf seconden) om de levensduur van de startmotor te verlengen. Wacht een minuut tussen startcycli.

Indien de motor na 3 of 4 keer niet start, neem dan contact op met uw plaatselijke dealer of ga naar vanguardpower.com of bel 1-800-999-9333.

Elektronisch brandstofmanagementsysteem

1. Controleer de motorolie. Zie het deel *Oliepeil controleren*.
2. Zorg ervoor dat aandrijvingsbedieningen, indien aanwezig, zijn ontkoppeld.
3. Zet de brandstofkraan (A, afbeelding 7) (indien aanwezig) in de stand OPEN.
4. Druk de stopschakelaar (F, afbeeldingen 7, 8), indien aanwezig, in de stand AAN.
5. Zet de gashendel (B, afbeelding 8), indien aanwezig, in de stand SNEL. Gebruik de motor in de stand SNEL.
6. **Repeteerstarter, indien voorzien van een start sleutel:** Draai de start sleutel (D, afbeeldingen 7, 8) in de stand AAN.
7. **Repeteerstarter, indien aanwezig:** Houd de startkoordhendel (E, afbeeldingen 7, 8) stevig vast. Trek de startkoordhendel langzaam uit tot u weerstand voelt, trek vervolgens snel.



WAARSCHUWING

Wanneer het startkoord zich snel terugtrekt (terugslag), worden uw hand en arm sneller naar de motor getrokken dan u kunt loslaten. Gebroken botten, breuken, kneuzingen of verstuikingen kunnen het resultaat zijn. Om terugslag te voorkomen bij het starten van de motor moet het startkoord langzaam uitgetrokken tot er weerstand gevoeld wordt en dan moet er snel aan getrokken worden.

8. **Elektrische start, indien hiermee uitgerust:** Draai de elektrische startschakelaar (D, afbeeldingen 7, 8) in de stand AAN of START.

OPGEPAST Start altijd kort (maximaal vijf seconden) om de levensduur van de startmotor te verlengen. Wacht een minuut tussen startcycli.

Indien de motor na 3 of 4 keer niet start, neem dan contact op met uw plaatselijke dealer of ga naar vanguardpower.com of bel 1-800-999-9333.

Chokesysteem

1. Controleer de motorolie. Zie het gedeelte **Oliepeil controleren en olie bijvullen**.
2. Zorg ervoor dat aandrijvingsbedieningen, indien aanwezig, zijn ontkoppeld.
3. Zet de brandstofkraan (A, afbeelding 7) (indien aanwezig) in de stand OPEN.
4. Druk de stopschakelaar (F, afbeeldingen 7, 8), indien aanwezig, in de stand AAN.
5. Zet de gashendelbediening (B, afbeelding 7), indien aanwezig, in de stand SNEL. Gebruik de motor in de stand SNEL.
6. Zet de chokeregeling (C, afbeeldingen 9, 10) in de stand GESLOTEN.

OPMERKING: De choke is meestal niet noodzakelijk als u een warme motor start.

7. **Repeteerstarter, indien voorzien van een startsleutel:** Draai de startsleutel (D, afbeeldingen 7, 8) in de stand AAN.
8. **Repeteerstarter, indien aanwezig:** Houd de startkoordhendel (E, afbeeldingen 7, 8) stevig vast. Trek de startkoordhendel (E) langzaam uit tot u weerstand voelt, trek dan snel.

WAARSCHUWING



Wanneer het startkoord zich snel terugtrekt (terugslag), worden uw hand en arm sneller naar de motor getrokken dan u kunt loslaten. Gebroken botten, breuken, kneuzingen of verstuikingen kunnen het resultaat zijn. Om terugslag te voorkomen bij het starten van de motor moet het startkoord langzaam uitgetrokken tot er weerstand gevoeld wordt en dan moet er snel aan getrokken worden.

9. **Elektrische start, indien aanwezig:** Draai de contactsleutel (D, afbeeldingen 7, 8) in de stand ON (AAN) of START.

OPGEPAST

Start altijd kort (maximaal vijf seconden) om de levensduur van de startmotor te verlengen. Wacht een minuut tussen startcycli.

10. Zet de chokeregeling (C, afbeeldingen 9, 10) in de stand OPEN terwijl de motor opwarmt.

OPMERKING: Indien de motor na 2-3 pogingen niet start, neem dan contact op met uw plaatselijke dealer of ga naar vanguardpower.com of bel 1-800-999-9333.

Stop de motor

WAARSCHUWING



Brandstof en brandstofdampen zijn ontvlambaar en explosief. Brand of explosies kunnen brandwonden of de dood tot gevolg hebben.

- Choke de carburateur (indien aanwezig) niet om de motor te stoppen.
1. **Stopschakelaar (indien aanwezig):** Zet de stopschakelaar (F, afbeelding 11) in de stand UIT.
 2. **Contactschakelaar, indien hiermee uitgerust:** Draai de startsleutel (D, afbeelding 11) naar de stand UIT terwijl de gashendelbediening, indien aanwezig, in de stand LANGZAAM staat. Verwijder de sleutel en bewaar deze op een veilige plaats buiten het bereik van kinderen.
 3. Nadat de motor stopt, moet de brandstofkraan (A, afbeelding 11), indien aanwezig, in de stand GESLOTEN worden gezet.

Onderhoud

Onderhoudsinformatie

WAARSCHUWING



Brandstof en brandstofdampen zijn ontvlambaar en explosief. Brand of explosies kunnen brandwonden of de dood tot gevolg hebben.

Als het noodzakelijk is om tijdens het onderhoud de machine te kantelen, zorg er dan voor dat de brandstoftank, indien gemonteerd op de motor, leeg is en dat de zijde met de bougie omhoog is. Als de brandstoftank niet leeg is, kan er brandstoflekkage optreden die brand of een explosie tot gevolg kunnen hebben. Als de motor in een andere richting wordt gekanteld, zal deze niet gemakkelijk starten vanwege olie- of brandstofverontreiniging van het luchtfilter of de bougie.



WAARSCHUWING

Een spontane vonk van de motor kan een elektrische schok, brand of explosie veroorzaken en kan verstriking, traumatische amputatie of ander letsel tot gevolg hebben.

Voordat u aanpassingen maakt of reparaties uitvoert:

- Ontkoppel alle bougiekabels en houd deze weg van de bougies.
- Koppel de accukabel los van de negatieve accupool (alleen motoren met elektrische start).
- Gebruik uitsluitend het correcte gereedschap.

Wanneer u op vonkvorming controleert:

- Gebruik een goedgekeurde bougie tester.
- Controleer niet op vonkvorming met de bougie verwijderd.



WAARSCHUWING

Vervangende onderdelen moeten identiek zijn aan, en op dezelfde positie worden geïnstalleerd als, de originele onderdelen. Andere onderdelen kunnen schade of letsel tot gevolg hebben.

OPGEPAST

Alle componenten die zijn gebruikt om deze motor te bouwen moeten op hun plaats blijven voor een correcte werking.

Raadpleeg voor al het onderhoud en alle service aan de motor en de motoronderdelen een erkende servicedealer van Briggs & Stratton.

Onderhoud aan de emissieregeling

Neem voor onderhoud, vervanging of reparatie van apparaten en systemen voor emissiebeperking contact op met een gekwalificeerd bedrijf voor off-road motorreparaties of een servicemonteur. Maar voor de 'kosteloze' emissieregeling-service moeten deze werkzaamheden worden uitgevoerd door een erkende dealer. Raadpleeg de verklaringen voor emissieregeling.

Onderhoudsschema

Intervallen van 8 uur of dagelijks
<ul style="list-style-type: none">• Controleer het oliepeil.• Reinig het gebied rond de demper en bedieningen.
Intervallen van 100 uur of jaarlijks
<ul style="list-style-type: none">• Vervang de bougies.• De motorolie verversen.• Vervang het oliefilter (indien geïnstalleerd).• Onderhoud aan het luchtfilter¹.• Reinig het voorfilter (indien geïnstalleerd)¹.• Onderhoud aan het uitlaatsysteem.
Intervallen van 250 uur of jaarlijks
<ul style="list-style-type: none">• Controleer de klepspel. Zonodig bijstellen.
Intervallen van 400 uur of jaarlijks
<ul style="list-style-type: none">• Vervang het luchtfilter.• Vervang het brandstoffilter.• Onderhoud aan het luchtgekoeld systeem¹.• Reinig de ribben van de oliekoeler¹.

¹ Vaker reinigen in stoffige omstandigheden of als de lucht veel deeltjes bevat.

Elektronisch brandstofinspuitsysteem (EFI)

Het EFI-systeem bewaakt de motortemperatuur, motorsnelheid en accuspanning voor het opstarten van de motor en het opwarmen. Het systeem heeft geen afstellingen. Als er problemen optreden met het opstarten of de werking, neem dan contact op met een erkende servicedealer van Briggs & Stratton.

OPGEPAST Zorg ervoor dat u de onderstaande stappen volgt, anders kan het EFI-systeem beschadigd raken.

- Start de motor NIET als de accukabels loszitten.
- Draai de sleutel naar de stand UIT voordat u de accu loskoppelt, verwijderd en/of installeert.
- Gebruik GEEN een acculader om de motor te starten.
- Koppel de accukabels NIET los terwijl de motor werkt.

- Wanneer u de accukabels aansluit, sluit u eerst de positieve (+) accukabel aan en vervolgens de negatieve (-) accukabel.
- Voordat u de accu oplaad, draait u de contactsleutel naar de stand UIT en koppelt u de negatieve (-) accukabel van de accu los.
- Spuit water NIET rechtstreeks op de Elektronische regelmodule.

Elektronisch brandstofmanagementsysteem

Het elektronisch brandstofmanagementsysteem bewaakt de motortemperatuur, het toerental van de motor en de accuspanning om de choke bij te stellen om zo het juiste mengsel van lucht en brandstof te leveren tijdens het starten van de motor en het opwarmen. Het systeem heeft geen afstellingen. Neem bij opstart- of bedieningsproblemen contact op met een erkende servicedealer van Briggs & Stratton.

OPGEPAST Zorg ervoor dat u zich aan deze regels houdt, anders kan het elektronische brandstofbeheersysteem beschadigd raken.

- Start de motor NIET als de accukabels loszitten.
- Voordat u de startkabels aansluit of de accukabels loskoppelt of opnieuw aansluit, moet u de contactschakelaar in de stand UIT zetten. Wanneer u de accu oplaadt, zet u de contactschakelaar in de stand UIT.
- Wanneer u de accukabels loskoppelt van de accu, koppelt u eerst de negatieve (-) kabel naar de accu los en vervolgens de positieve (+) kabel. Wanneer u de accukabels op de accu aansluit, sluit u de positieve (+) kabel naar de accu aan en vervolgens de negatieve (-) kabel.
- Gebruik GEEN een acculader om de motor te starten.
- Koppel de accukabels NIET los terwijl de motor werkt.
- Sproei GEEN water rechtstreeks op de elektronische regelunit.

Carburateur en motortoerental

Voer geen aanpassingen uit aan de carburateur, reguleur, koppelingen of andere onderdelen om het motortoerental af te stellen. Als er afstellingen moeten worden uitgevoerd, neem contact op met een erkende servicedealer van Briggs & Stratton voor onderhoud.

OPGEPAST

De fabrikant van de apparatuur heeft het maximale toerental voor de motor zoals geïnstalleerd in de apparatuur gespecificeerd. Overschrijd dit toerental niet. Als u niet zeker weet wat het maximale toerental van de machine is of waarop het motortoerental in de fabriek is ingesteld, neem contact op met een erkende servicedealer van Briggs & Stratton. Voor een veilige en correcte bediening van de machine mag het motortoerental uitsluitend worden afgesteld door een gekwalificeerde servicemonteur.

Onderhoud aan de bougies

Controleer de elektrodeafstand van de bougie (A, afbeelding 12) met een draadkaliber (B). Stel indien noodzakelijk de elektrodeafstand van de bougie bij. Installeer de bougie en draai deze vast met het juiste aanhaalkoppel. Zie voor afstelling van de elektrodeafstand en specificaties van het aanhaalkoppel het gedeelte **Specificaties**.

Onderhoud aan het uitlaatsysteem



WAARSCHUWING Tijdens het gebruik worden de motor en de demper heet. Als u een hete motor aanraakt, kan dit thermische brandwonden veroorzaken.

Brandbare materialen, zoals bladeren, gras, snoeihout enz. kunnen vlam vatten.

- Voordat u de motor of demper aanraakt, stop de motor en wacht twee (2) minuten. Zorg ervoor dat de motor en de demper veilig zijn om aan te raken.
- Verwijder vuil van de demper en de motor.

Overeenkomstig de California Public Resource Code Sectie 4442 is het verboden de motor te gebruiken in de buurt van een bos-, kreupelhout- of grasgebied tenzij het uitlaatsysteem is uitgerust met een vonkenvanger, zoals gedefinieerd in Sectie 4442, die in goede staat wordt gehouden. Andere staten of federale rechtsgebieden hebben mogelijk vergelijkbare wetten; raadpleeg Federaal Voorschrift 36 CFR Deel 261.52. Neem contact op met de fabrikant, verkoper of dealer om een vonkenvanger te verkrijgen die geschikt is voor het op deze motor gemonteerde uitlaatsysteem.

Verwijder vuil uit de gebieden rondom de demper en cilinder. Inspecteer de uitlaat op barsten, corrosie of andere beschadiging. Verwijder de deflector of vonkenvanger, als de machine hiermee is uitgerust en inspecteer deze op beschadiging of koolverstopping. Als u beschadigingen aantreft, installeer dan vervangingsonderdelen voordat u de machine weer gebruikt.



WAARSCHUWING Vervangende onderdelen moeten identiek zijn aan, en op dezelfde positie worden geïnstalleerd als, de originele onderdelen. Andere onderdelen kunnen schade of letsel tot gevolg hebben.

Motorolie verversen



WAARSCHUWING

Brandstof en brandstofdampen zijn ontvlambaar en explosief. Brand of explosies kunnen brandwonden of de dood tot gevolg hebben.

Tijdens het gebruik worden de motor en de demper heet. Als u een hete motor aanraakt, kan dit thermische brandwonden veroorzaken.

- Als u de olie aftapt uit de olievluis aan de bovenkant, dan moet de brandstoftank leeg zijn. Als deze niet leeg is, kan er brandstoflekkage optreden die brand of een explosie kan veroorzaken.
- Voordat u de motor of demper aanraakt, stop de motor en wacht twee (2) minuten. Zorg ervoor dat de motor en de demper veilig zijn om aan te raken.

Gebruikte olie is een gevaarlijk afvalproduct en moet op correcte wijze worden afgevoerd. Voer het niet met het huishoudelijk afval af. Neem contact op met de plaatselijke autoriteiten, het servicecentrum of uw dealer voor veilige afvoer- of recyclingbedrijven.

Olie verwijderen

1. Maak bij een uitgeschakelde, maar warme motor de bougiekabel(s) (D, afbeelding 13) los en houd deze uit de buurt van de bougie(s) (E).
2. Verwijder de peilstok (A, afbeeldingen 14, 15).
3. Verwijder de olieaftapplug (F, afbeeldingen 16, 17). Laat de olie in een goedgekeurde bak stromen.
4. Plaats de olieaftapplug en zet deze vast (F, afbeeldingen 16, 17).

Oliefilter vervangen, indien geïnstalleerd

1. Tap de olie af. Raadpleeg het hoofdstuk **Olie verwijderen**.
2. Verwijder het oliefilter (G, afbeeldingen 18, 19) en voer het op correcte wijze af.
3. Smeer de oliefilterpakking lichtjes met schone olie in voordat u het nieuwe oliefilter plaatst.
4. Installeer het oliefilter met de hand totdat de pakking contact maakt met de oliefilteradapter en draai het oliefilter dan een 1/2 of 3/4 slag vast.
5. Vul olie bij. Raadpleeg het hoofdstuk **Olie bijvullen**.
6. Starten en bedienen van de motor. Controleer op olie lekkages wanneer de motor warm is.
7. Stop de motor. Zorg ervoor dat het oliepeil bovenaan bij de indicator voor vol staat op de peilstok. Raadpleeg het hoofdstuk **Olie bijvullen**.

Olie bijvullen

- Zorg ervoor dat de motor waterpas staat.
- Verwijder al het vuil rondom het olievluggebied.
- Raadpleeg hoofdstuk **Specificaties** voor de oliecapaciteit.

1. Verwijder de peilstok (A, afbeeldingen 20, 21). Gebruik een schone doek om olie van de peilstok te verwijderen.
2. Giet de olie langzaam in de vulopening voor motorolie (C, afbeeldingen 20, 21) **Niet overvullen**. Wacht 1 minuut en controleer het oliepeil opnieuw.
3. Plaats de peilstok en zet deze vast (A, afbeeldingen 20, 21).
4. Verwijder de peilstok en lees het oliepeil af. Het correcte oliepeil is bovenaan bij de indicator voor vol (B, afbeeldingen 20, 21) op de peilstok.
5. Plaats de peilstok en zet deze vast (A, afbeeldingen 20, 21).
6. Sluit de bougiekabel(s) (D, afbeelding 20) aan op de bougie(s).

Onderhoud aan het luchtfilter



WAARSCHUWING

Brandstof dampen zijn ontbrandbaar en explosief. Brand of explosies kunnen brandwonden of de dood tot gevolg hebben.

- De motor niet starten en gebruiken als de luchtreiniger (indien aanwezig) of het luchtfilter (indien aanwezig) is verwijderd.

OPGEPAST

Reinig het filter niet met perslucht of oplosmiddelen. Perslucht kan beschadiging aan het filter tot gevolg hebben en oplosmiddelen lossen het filter op.

Zie het **Onderhoudsschema** voor het benodigde onderhoud.

Sommige modellen zijn uitgerust met een optioneel voorfilter dat kan worden gereinigd en opnieuw gebruikt. Vergelijk de illustraties in deze handleiding met het type dat op uw motor is geïnstalleerd.

- Modellen zonder een brandstoftank:** Open de bevestiging(en) (A, afbeelding 22) en verwijder het deksel (B).
- Modellen met een brandstoftank:** Verwijder de bevestiging(en) (C, afbeelding 23) en het deksel (D).
- Verwijder de moer (D, afbeeldingen 22, 23) en houder (E).
- Verwijder het luchtfilter (F, afbeeldingen 22, 23).
- Verwijder het voorfilter (G, afbeeldingen 22, 23), indien aanwezig, van het luchtfilter (F).
- Tik het filter (F, afbeeldingen 22, 23) zachtjes op een hard oppervlak om het vuil los te maken. Als het luchtfilter vuil is, vervangt u het door een nieuw filter.
- Was het voorfilter (G, afbeeldingen 22, 23), indien aanwezig, in water met een vloeibaar reinigingsmiddel. Laat het voorfilter volledig aan de lucht drogen. Smeer het voorfilter **NIET**.
- Monteer het droge voorfilter (G, afbeeldingen 22, 23), indien aanwezig, op het luchtfilter (F).
- Monteer het luchtfilter (F, afbeeldingen 22, 23) en zet het vast met de houder (E) en moer (D).
- Installeer het deksel (B, afbeeldingen 22, 23).

Onderhoud aan het brandstofsysteem

WAARSCHUWING

Brandstof en brandstofdampen zijn ontvlambaar en explosief. Brand of explosies kunnen brandwonden of de dood tot gevolg hebben.

- Houd brandstof uit de buurt van vonken, open vuur, waakvlammen, hitte en andere ontstekingsbronnen.
- Controleer regelmatig de brandstofleidingen, brandstoftank, brandstofvuldop en aansluitingen op scheuren of lekkages. Vervang beschadigde onderdelen.
- Indien brandstof wordt gemorst, wacht tot deze verdampt is voordat u de motor start.

Brandstoffilter, indien geïnstalleerd

- Wanneer u het brandstoffilter (A, afbeelding 24) vervangt, moet u eerst de brandstoftank aftappen of de brandstofafsluitklep sluiten. Als de brandstoftank niet wordt afgetapt, kan brandstoflekkage optreden en brand of een explosie veroorzaken.
- Druk de lipjes (B, afbeelding 24) op de klemmen (C) samen met een tang. Beweeg de klemmen daarna weg van het brandstoffilter (A).
- Draai en trek de brandstofleidingen (D, afbeelding 24) van het brandstoffilter af.
- Controleer de brandstofleidingen (D, afbeelding 24) op barsten of lekkage. Vervang indien noodzakelijk de brandstofleidingen.
- Vervang het brandstoffilter (A, afbeelding 24).
- Bevestig de brandstofleidingen (D, afbeelding 24) met klemmen (C).

Onderhoud aan het koelsysteem

WAARSCHUWING

Tijdens het gebruik worden de motor en de demper heet. Als u een hete motor aanraakt, kan dit thermische brandwonden veroorzaken.

Brandbaar vuil, zoals bladeren, gras en snoeihout kunnen vlam vatten.

- Voordat u de motor of demper aanraakt, stop de motor en wacht twee (2) minuten. Zorg ervoor dat de motor en de demper veilig zijn om aan te raken.
- Verwijder vuil van de demper en de motor.

OPGEPAST

Gebruik geen water om de motor te reinigen. Water kan verontreiniging van het brandstofsysteem veroorzaken. Gebruik een borstel en droge doek om de motor te reinigen.

Dit is een luchtgekoelde motor. Vuil kan de luchtstroom belemmeren en ervoor zorgen dat de motor te heet wordt, wat resulteert in onbevredigende prestaties en een kortere levensduur van de motor.

- Verwijder vuil uit het luchtinlaatrooster met behulp van een borstel of droge doek.
- Houd verbindingen, veren en bedieningen schoon.
- Zorg dat het gebied rond en achter de demper, indien aanwezig, vrij blijft van brandbaar vuil.
- Zorg ervoor dat de oliekoelribben, indien aanwezig, schoon zijn.

Na verloop van tijd kan zich vuil ophopen in de koelribben van de cilinder en veroorzaken dat de motor oververhit raakt. Dit ongewenste materiaal kan niet verwijderd worden zonder de motor deels te demonteren. Laat een erkende servicedealer van Briggs & Stratton het luchtkoelingsysteem inspecteren en reinigen zoals aanbevolen in het **Onderhoudsschema**.

Opslag Brandstofsysteem

Raadpleeg afbeelding: 25.

WAARSCHUWING

Brandstof en brandstofdampen zijn ontvlambaar en explosief. Brand of explosies kunnen brandwonden of de dood tot gevolg hebben.

Brandstofopslag

- Omdat waakvlammen of andere ontstekingsbronnen explosies kunnen veroorzaken, moet u brandstof of de machine uit de buurt houden van ovens, kachels, boilers of andere apparaten met waakvlammen.

Hou de motor waterpas (normale bedrijfsstand). Vul de brandstoftank (A, afbeelding 25) met brandstof. Vul de brandstoftank niet tot boven de onderkant van de vulhals (B) omdat de brandstof uitzet.

Brandstof kan oud worden als deze langer dan 30 dagen in een opslagcontainer wordt bewaard. Het gebruik van een alcoholvrije brandstofstabilisator en ethanolbehandeling in de brandstofopslagtank wordt aanbevolen om brandstofdegradatie te voorkomen en de brandstof vers te houden.

Wanneer u de brandstofcontainer met brandstof vult, voegt u een alcoholvrije brandstofstabilisator toe zoals gespecificeerd in de instructies van de fabrikant. Als de benzine in de motor niet is behandeld met een brandstofstabilisator, moet deze worden afgetapt in een goedgekeurde container. Laat de motor draaien totdat de brandstof op is.

Motorolie

Ververs de motorolie als de motor nog warm is. Raadpleeg het gedeelte **Motorolie verversen**.

Problemen oplossen

Assistance

Als u hulp nodig hebt, neem dan contact op met uw dealer of ga naar **BRIGGSandSTRATTON.COM** of bel **1-800-444-7774** (in de USA).

Specificaties

Specificaties en serviceonderdelen

MODELLEN: 290000, 300000	
Cilinderinhoud	29.23 ci (479 cc)
Boring	2.677 in (68 mm)
Slag	2.598 in (66 mm)
Oliecapaciteit	46 - 48 oz (1,36 - 1,42 L)
Elektrodeafstand van bougie	.030 in (.76 mm)
Aanhaalkoppel bougie	180 lb-in (20 Nm)
Luchtspleet ontstekingsspoel - Carbureturmodellen	.008 - .012 in (.20 - .30 mm)
Inlaatklepspeling	.004 - .006 in (.10 - .15 mm)
Uitlaatklepspeling	.004 - .006 in (.10 - .15 mm)

MODEL: 350000	
Cilinderinhoud	34.78 ci (570 cc)
Boring	2.835 in (72 mm)
Slag	2.756 in (70 mm)
Oliecapaciteit	46 - 48 oz (1,36 - 1,42 L)
Elektrodeafstand van bougie	.030 in (.76 mm)
Aanhaalkoppel bougie	180 lb-in (20 Nm)
Luchtspleet ontstekingsspoel - Carbureturmodellen	.008 - .012 in (.20 - .30 mm)
Inlaatklepspeling	.004 - .006 in (.10 - .15 mm)
Uitlaatklepspeling	.004 - .006 in (.10 - .15 mm)

MODEL: 380000	
Cilinderinhoud	38.26 ci (627 cc)
Boring	2.972 in (75,5 mm)
Slag	2.756 in (70 mm)

MODEL: 380000	
Oliecapaciteit	46 - 48 oz (1,36 - 1,42 L)
Elektrodeafstand van bougie	.030 in (,76 mm)
Aanhaalkoppel bougie	180 lb-in (20 Nm)
Luchtspleet ontstekingsspoel - Carburateurmodellen	.008 - .012 in (,20 - ,30 mm)
Inlaatklepspeling	.004 - .006 in (,10 - ,15 mm)
Uitlaatklepspeling	.004 - .006 in (,10 - ,15 mm)

Het motorvermogen neemt 3,5% af voor elke 300 meter (1000 voet) boven zeeniveau en 1% voor elke 5,6 °C (10 °F) boven 25 °C (77 °F). De motor werkt goed tot een hellingshoek van 15°. Raadpleeg de gebruikershandleiding van de machine voor de maximaal toegestane hellingshoeken die veilig zijn.

MODELLEN: 290000, 300000, 350000, 380000	
Serviceonderdeel	Onderdeelnummer
Luchtfilter (met brandstoftank, afbeelding 23)	383857
Luchtfilter (behalve model 380000, afbeelding 22)	394018
Luchtfilter (modellen 380000, afbeelding 22)	692519
Luchtfilter, voorfilter (met brandstoftank, afbeelding 23)	271794
Luchtfilter, voorfilter (behalve model 380000, afbeelding 22)	272490
Luchtfilter, voorfilter (model 380000, afbeelding 22)	692520
Olie - SAE 30	100028
Oliefilter	842921
Brandstoffilter (met brandstoftank)	808116
Brandstoffilter (met brandstofpomp)	845125
Brandstoffilter (zonder brandstofpomp)	298090
Weerstandsbougie	491055S
Platinum bougie met lange levensduur	696202, 5066K
Bougiesleutel	19576S
Vonktester	84003327

Wij adviseren dat u al het onderhoud en alle service aan de motor en de motoronderdelen laat uitvoeren door een erkende dealer van Briggs & Stratton.

Nominaal vermogen

Vermogenklasseringen: de brutovermogenklassering voor afzonderlijke benzinemotormodellen is ingedeeld conform SAE (Society of Automotive Engineers)-code J1940 Vermogens en torsieklasseringsprocedure voor kleine motoren, en is geklasseerd conform SAE J1995. Koppelwaarden zijn afgeleid bij 2600 TPM voor de motoren met een "rpm" (TPM) aangegeven op het plaatje en 3060 TPM voor alle andere. Paardenkrachtwaarden zijn afgeleid bij 3600 TPM. De brutovermogenscurves staan op www.BRIGGSandSTRATTON.COM. Nettovermogenswaarden worden bepaald met geïnstalleerde uitlaat en luchtfilter, terwijl brutovermogenswaarden worden verzameld zonder deze hulpstukken. Het werkelijke brutomotorvermogen zal hoger zijn dan het nettomotorvermogen en wordt beïnvloed door, onder andere, omgevingsomstandigheden en variaties tussen motoren. Gezien de vele verschillende producten waarop onze motoren worden aangebracht, zal de benzinemotor mogelijk niet zijn nominale brutovermogen ontwikkelen als deze wordt gebruikt in een door een motor aangedreven machine. Dit verschil wordt veroorzaakt door diverse factoren waaronder, maar niet uitsluitend, de verscheidenheid aan motoronderdelen (luchtfilter, uitlaat, turbo, koeling, carburateur, brandstofpomp enz.), toepassingsbeperkingen, omgevingsomstandigheden (temperatuur, vochtigheid, hoogte) en verschillen tussen motoren. Vanwege fabricage- en capaciteitsbeperkingen kan Briggs & Stratton een motor met een hoger nominaal vermogen vervangen door deze motor.

Garantie

Garantie op de motor van Briggs & Stratton®

Met ingang van augustus 2022

Beperkte garantie

Briggs & Stratton garandeert dat, gedurende de hieronder vermelde garantieperiode, het, naar eigen goeddunken van Briggs & Stratton, elk onderdeel dat defect is in materiaal, of vakmanschap of beide, kosteloos repareert of vervangt door een nieuw, gereviseerd of opnieuw vervaardigd onderdeel. Transportkosten voor producten die onder deze garantie voor reparatie of vervanging worden aangeboden, zijn voor rekening van de koper. Deze garantie is geldig voor- en onderhevig aan de onderstaande periodes en voorwaarden. Voor garantieservice zoekt u de dichtstbijzijnde erkende servicedealer op onze dealerlocatiekaart op BRIGGSandSTRATTON.COM. De koper moet contact opnemen met de erkende

servicedealer en het product beschikbaar stellen aan de erkende servicedealer voor inspectie en testen.

Er is geen andere uitdrukkelijke garantie. Impliciete garanties, inclusief voor verkoopbaarheid en geschiktheid voor een bepaald doel, zijn beperkt tot één jaar na aankoop of in de wettelijke toegestane mate. Alle andere impliciete garanties zijn uitgesloten. Aansprakelijkheid voor incidentele of gevolgschade wordt uitgesloten voor zover dit wettelijk toegestaan is. Sommige staten of landen staan geen beperkingen toe over de periode waarin een impliciete garantie geldig is, en sommige staten of landen staan geen uitsluiting of beperking van incidentele of gevolgschade toe, zodat de bovenstaande beperkingen en uitsluitingen mogelijk niet op u van toepassing zijn. Deze garantie geeft u bepaalde specifieke wettelijke rechten en u kunt mogelijk andere rechten hebben die van rechtsgebied tot rechtsgebied variëren.

Standaardvoorwaarden voor de garantie^{1, 2}

Vanguard®; Commerciële serie

Voor particuliere doeleinden - 36 maanden

Voor commerciële doeleinden - 36 maanden

XR-serie

Voor particuliere doeleinden - 24 maanden

Voor commerciële doeleinden - 24 maanden

Alle overige motoren, waaronder de Dura-Bore™ Gietijzeren Voering

Voor particuliere doeleinden - 24 maanden

Voor commerciële doeleinden - 12 maanden

Alle overige motoren

Voor particuliere doeleinden - 24 maanden

Voor commerciële doeleinden - 3 maanden

¹ Dit zijn onze standaardvoorwaarden voor garantie, maar er kunnen aanvullende garantiestedkingen zijn die op het moment van publicatie nog niet waren bepaald. Ga voor alle actuele garantievormen voor uw motor naar BRIGGSandSTRATTON.COM of neem contact op met uw erkende servicedealer van Briggs & Stratton.

² Er wordt geen garantie verleend op motoren op de machines die worden gebruikt voor primair vermogen in plaats van een hulpmotor of als stand-bygenerator voor commerciële doeleinden, utiliteitsvoertuigen die harder gaan dan 40 km/u of motoren die in racewedstrijden worden gebruikt of in commerciële of verhuurtrajecten. mph

* In Australië - onze artikelen worden geleverd met garanties die onder de Australische consumentenwetgeving niet kunnen worden uitgesloten. U hebt recht op vervanging of terugbetaling voor een zware fout en voor vergoeding van enige andere redelijkerwijs te verwachten vorm van verlies of schade. U hebt ook het recht om de goederen te laten repareren of vervangen als de goederen niet van een acceptabele kwaliteit zijn en de storing niet tot een ernstige fout leidt. Zoek voor garantieservice de dichtstbijzijnde erkende servicedealer op met onze dealerlocatiekaart op BRIGGSandSTRATTON.COM, of bel 1300 274 447, of mail of schrijf naar salesenquires@briggsandstratton.com.au, Briggs & Stratton Australia Pty Ltd, 1 Moorebank Avenue, Moorebank, NSW, Australië, 2170.

De garantieperiode begint te lopen vanaf de datum van aankoop door de eerste kleinhandelsgebruiker of commerciële gebruiker en is geldig gedurende de tijdsperiode vermeld in de tabel hierboven. "Voor particuliere doeleinden" betekent persoonlijk, huishoudelijk gebruik door een particuliere consument. "Voor commerciële doeleinden" betekent elk ander gebruik, inclusief gebruik voor commerciële, inkomensvormende of verhuurdoeleinden. Als een motor eenmaal commerciële doeleinden is, dan zal deze daarna voor deze garantie als commerciële doeleinden worden beschouwd.

Er is geen garantieregistratie vereist om een garantie op Briggs & Stratton-producten te krijgen. Bewaar uw aankoopbewijs. Als u geen bewijs van de oorspronkelijke aankoopdatum verstrekt op het moment dat u een beroep op de garantieservice doet, wordt de productiedatum van het product gebruikt om de garantieperiode te bepalen.

Over uw garantie

Deze garantie dekt uitsluitend aan de motor gerelateerde defecte materialen en/of bewerkingen, en niet vervanging of vergoeding van de machine waarop de motor gemonteerd kan zijn. Routineonderhoud, afstellingen, aanpassingen of normale slijtage vallen niet onder deze garantie. De garantie is ook niet van toepassing als de machine is gewijzigd of aangepast, of als het serienummer van de motor is beschadigd of verwijderd. Deze garantie geldt niet voor schade aan de motor of prestatieproblemen door:

- Het gebruik van niet-originele Briggs & Stratton-onderdelen;
- Het laten draaien van de motor met onvoldoende, vervuilde of de onjuiste soort smeerolie;
- Het gebruik van vervuilde of niet-verse brandstof, benzine verrijkt met meer dan 10% ethanol of het gebruik van alternatieve brandstoffen zoals vloeibare petroleum of aardgas bij motoren die oorspronkelijk niet zijn ontwikkeld/gefabriceerd door Briggs & Stratton om op dergelijke brandstoffen te draaien;

4. Vuil dat in de motor terecht is gekomen vanwege een onjuist onderhoud of een onjuiste hermontage van de luchtfilter;
5. Het raken van een object met een snijblad van een roterende grasmaaier, losjes of onjuist geïnstalleerde bladtussenstukken, waaiers of andere aan de krukas gekoppelde onderdelen, of excessieve strakheid van de v-snaar;
6. Bijbehorende onderdelen en eenheden zoals koppelingen, aandrijvingen en afstandsbedieningen van apparatuur die niet door Briggs & Stratton zijn geleverd;
7. Oververhitting als gevolg van grasmaaisel, vuil en rommel of nesten van knaagdieren die de koelvinnen of het vliegwielgebied verstoppen of erin zitten, of door de motor te laten draaien zonder voldoende ventilatie;
8. Excessieve trillingen als gevolg van een te hoge snelheid, een te losjes gemonteerde motor, losse of niet-uitgebalanceerde snijbladen of waaiers of onjuiste koppeling van onderdelen van de apparatuur aan de krukas;
9. Verkeerd gebruik, gebrek aan routineonderhoud, verzending, omgang met of opslag van apparatuur, of onjuiste installatie van de motor.

De garantieservice is uitsluitend beschikbaar via erkende servicedealers van Briggs & Stratton. U vindt uw dichtstbijzijnde erkende servicedealer in onze "dealerlocatie"-kaart op BRIGGSandSTRATTON.COM of door te bellen naar 1-800-444-7774 (in de USA).

80114782 (Revisie A)

Not for reproduction

Generell informasjon



Denne manualen inneholder sikkerhetsinformasjon om farene og risikoene relatert til motoren og hvordan de kan forebygges. Den inneholder også anvisninger for korrekt drift og vedlikehold av maskinen. Det er viktig at du leser, forstår og følger disse instruksene. **Ta vare denne brukerveiledningen for fremtidig bruk.**

MERK: Tallene og illustrasjonene i denne håndboken er kun oppgitt som referanse og kan avvike fra din modell. Bruk de figurene som passer for din motorkonfigurering. Om nødvendig, snakk med en autorisert serviceforhandler.

For reservedeler eller teknisk assistanse, noter kjøpsdato, motorens modell, type, trim og serienummer. Du finner disse numrene på motoren. Se avsnittet **Funksjoner og kontroller**.

Kjøpsdato	
Modell - Type - Trim	
Motorens serienummer	

Kontaktinformasjon for Europa-kontoret

For spørsmål vedrørende utslipp i Europa, kontakter du vårt Europa-kontor på:

Max-Born-Straße 2, 68519 Viernheim, Tyskland.

Den europeiske union (EU) stadium V (5): Karbondioksidverdier (CO₂)

Skriv CO₂ i søkefeltet i BriggsandStratton.com for å finne karbondioksidverdiene i Briggs & Strattons motorer med sertifikat for EU-typegodkjenning.

Opplysninger om gjenvinning



Kartonger, esker, brukte batterier og olje skal resirkuleres i henhold til nasjonale lover.

Operatørens sikkerhet

Advarselssymbol og signalord



Symbolet for sikkerhetsadvarsel identifiserer sikkerhetsinformasjon angående farer som kan medføre personskade. Et signalord (**DANGER**, **ADVARSEL** eller **FORSIKTIG**) brukes for å indikere sannsynligheten for og den potensielle alvorlighetsgraden ved skade. Dessuten vil brukes et faresymbol for å representere hvilken type fare det er snakk om.

DANGER (fare) indikerer en fare som, dersom den ikke unngås, vil føre til død eller alvorlig skade.

ADVARSEL indikerer en fare som, dersom den ikke unngås, kan det føre til død eller alvorlig skade.

FORSIKTIG indikerer en fare som, dersom den ikke unngås, kan det føre til en mindre eller moderat skade.

OBS indikerer informasjon som anses som viktig, men ikke farerelatert.

Faresymboler og betydningen av disse

	Informasjon om sikkerhet som gjelder farer som vil kunne føre til personskader.		Les og forstå brukerhåndboken før du bruker eller vedlikeholder enheten.
	Brannfare		Eksplisjonsfare
	Fare for støt		Fare for giftig gass

	Fare for varme overflater		Fare for rekyll (tilbakeslag)
	Fare for amputasjon – bevegelige deler		Drivstoffnivå – maksimum ikke overfyll

Sikkerhetsmeldinger



ADVARSEL

Briggs & Stratton® motorene er ikke konstruert til å drive følgende kjøretøy og må heller ikke brukes til disse: rallykarter, gokarter, lekekjøretøy for barn, fritidskjøretøy eller terrengkjøretøy (ATV), motorsykler, hoverbåter, flyprodukter eller kjøretøy som brukes i konkurranser som ikke er godkjent av Briggs & Stratton. For informasjon om produkter til konkurransekjøring, se www.briggsracing.com. For bruk på nyttekjøretøy og ATV-er med to seter ved siden av hverandre (side-by-side), vennligst ta kontakt med Briggs & Stratton Power Application Center, 1-866-927-3349. Feil bruk av motoren kan forårsake alvorlige skader eller død.



ADVARSEL

Drivstoff og drivstoffdamp er antennelig og sprengfarlig. Brann eller eksplosjon kan medføre brannskader eller dødsfall.

Når du tilsetter drivstoff

- Stoppe motoren. Vent minst to (2) minutter og sørg for at motoren er kald før du løsner bensinlokket.
- Drivstofftanken må fylles utendørs eller på en plass med god ventilasjon.
- Drivstofftanken må ikke overfylles. For å gi drivstoff ekspansjonsrom, ikke fyll på mer enn til nederst i drivstofftankhalsen.
- Hold drivstoff unna gnister, åpne flammer, tennflammer, varme og andre tennkilder.
- Drivstoffslanger, drivstofftanken, bensinlokket og koblinger skal kontrolleres regelmessig for å se om det har kommet sprekker eller lekkasjer. Bytt skadde deler.
- Hvis du har sølt drivstoff, må du vente til tørker før du starter opp motoren.

Når du starter motoren

- Kontroller at tennpluggen, lydpudden, lokket til drivstofftanken og luftfilteret (hvis utstyrt) er montert riktig.
- Ikke forsøk å starte motoren med fjernet tennplugg.
- Flytt choken (hvis montert) mot posisjonen ÅPEN eller KJØR hvis motoren har druknet. Flytt gasshendelen (hvis montert) til posisjon HURTIG og dra til motoren starter.
- Ikke start motoren dersom det lekker natur- eller LP-gass i området.
- Bruk ikke startvæsker under trykk, da dampen er antennelig.

Når du opererer utstyret

- Motoren eller utstyret må ikke plasseres i en vinkel som gjør at drivstoff kan renne ut.
- Motoren må ikke stanses ved å kvele forgasseren (hvis dette er montert).
- Motoren må ikke startes eller kjøres uten luftrensere eller luftfilteret (hvis disse følger med).

Når du utfører vedlikeholdsarbeid

- Hvis du taper av olje fra toppen av oljepåfyllingsrøret, må drivstofftanken være tom. Drivstoff kan lekke og forårsake brann eller eksplosjon hvis ikke den er tom.
- Hvis du må vippe apparatet under vedlikeholdsarbeid, sørg for at drivstofftanken (hvis montert) er tom og at tennpluggsiden er vendt opp. Det kan oppstå lekkasje som kan forårsake brann eller eksplosjon hvis ikke drivstofftanken er tom.
- Drivstoffslanger, drivstofftanken, bensinlokket og koblinger skal kontrolleres regelmessig for å se om det har kommet sprekker eller lekkasjer. Bytt skadde deler.
- Ikke tukle med regulatorfjæren, koblinger eller andre deler for å øke motorhastigheten.
- Ikke bank svinghjulet med en hammer eller en annen hard gjenstand. Dette kan skade svinghjulets ytelse under drift.
- Reservedeler må alltid være av samme type og monteres i samme posisjon som originaldelene. Andre deler kan utsettes for eller medføre skader.

Når du flytter utstyret til et annet sted

- Sørg for at drivstofftanken er TOM eller at drivstoffets stengeventil står i LUKKET posisjon.

Når drivstoff eller utstyr lagres med drivstoff på tanken

- Da spareblusser eller andre tennkilder kan forårsake eksplosjoner, må ikke drivstoff og utstyr lagres i nærheten av fyringsanlegg, ovner, varmtvannsbereidere eller annet utstyr med sparebluss.



ADVARSEL
Drivstoff og drivstoffdamp er antennelig og sprengfarlig. Brann eller eksplosjon kan medføre brannskader eller dødsfall.

Motorstart innebærer gnist som kan forårsake brann eller eksplosjon.

- Ikke start motoren dersom det lekker natur- eller LP-gass i området.
- Bruk ikke startvæsker under trykk, da dampen er antennelig.



ADVARSEL
FARE FOR GIFTIG GASS. Eksosen fra motoren inneholder karbonmonoksid (kullos), en giftig gass som kan ta livet av deg i løpet av få minutter. Du kan utsettes for farlig karbonmonoksidgass selv når du ikke lukter det. Trekk frisk luft UMIDDELBART dersom du føler deg kvalm, svimmel eller svak mens du bruker dette produktet. Oppsøk lege. Det er mulig du er forgiftet av karbonmonoksid (kullos).

- Karbonmonoksidgass kan hope opp på bebodde steder. Produktet må brukes utendørs, og langt unna vinduer, dører og ventilatorer for å redusere risiko forbundet med karbonmonoksidgass.
- Monter batteridrevne karbonmonoksid-alarmer eller kompatible («plug-in») karbonmonoksid-alarmer med reservebatteri, som beskrevet under produsentens instruksjoner. Røykvarslerer registrerer ikke karbonmonoksid gass.
- IKKE kjør dette produktet inne i hus, garasjer, kjellere, boder, eller andre lukkede rom, selv om du bruker vifter eller åpner dører og vinduer for å ventilere. Produktets drift produserer karbonmonoksidgass som raskt kan hope seg opp på slike steder hvor den varer i flere timer.
- Produktet må ALLTID settes slik at det står i medvind og sørg for at eksosen ledes bort fra bebodde områder.



ADVARSEL
Hurtig tilbakespoling av startsnoren (tilbakeslag) trekker hånden og armen raskere mot motoren enn du klarer å slippe taket. Dette kan resultere i beinbrudd, brister, blåmerker eller forstuvninger.

- For å hindre tilbakeslag når du starter motoren, trekk startsnoren sakte til du begynner å kjenne motstand før du trekker raskt.
- Koble fra og fjern alt påmontert utstyr og motorbelastning før motoren startes.
- Sørg for at maskinkomponenter som er montert direkte – slik som, men ikke begrenset til, kniver, viftehjul, remskiver og kjedehjul – er festet riktig.



ADVARSEL
Roterende deler kan vikle seg rundt hender, føtter, hår, klær, smykker, belter osv. Dette kan resultere i traumatisk amputasjon eller lignende.

- Kjør utstyret med vernet hensiktsmessig montert.
- Hold hender og føtter borte fra roterende deler.
- Fjern smykker og sørg for at langt hår ikke kan komme i kontakt med roterende deler.
- Ikke gå med løstsittende klær eller artikler som kan hekte seg fast.



ADVARSEL
Motoren og lydputten hets opp under drift. Berøring av oppvarmet motor kan forårsake brannskader.

Letantennelige materialer som blader, gress og kratt kan ta fyr.

- Stans motoren og vent to (2) minutter før du rører motoren eller eksospotten. Sørg for at motoren og eksospotten trygt kan berøres.
- Fjern smuss fra eksospotten og motoren.

Det er et brudd på California Public Resource Code, § 4442, å bruke eller ha motoren i gang på et skogkledd, kratt-dekket, eller gresskledd stykke land med mindre eksossystemet er utstyrt med en gnistfanger som er holdt i fullgod stand, slik som definert i § 4442. Andre delstater eller føderale jurisdiksjoner kan ha tilsvarende lover. Se Federal Regulation 36 CFR del 261.52. Kontakte den opprinnelige utstyrproducenten, detaljisten eller forhandleren for å få en gnistfanger satt på det eksosanlegget som er installert på denne motoren.



ADVARSEL
Uheldige/utilsiktede gnister fra motoren kan forårsake elektriske støt eller brann, samt innfiltring, traumatisk amputasjon eller sønderriving.

Før du justerer eller reparerer:

- Ta av tennpluggkablene og hold dem borte fra tennpluggene.
- Koble batteriledningen fra den negative batteriterminalen (kun motorer med elektrisk start).
- Bruk kun riktige verktøy.

Når du skal kontrollere gnist:

- Bruk en godkjent tennpluggtester.
- Ikke se etter gnist med tennpluggen fjernet.



ADVARSEL
Damp fra drivstoff er brann- og sprengfarlig. Brann eller eksplosjon kan medføre brannskader eller dødsfall.

Hvis du lukter gass

- Ikke start motoren.
- Ikke trykk på elektriske brytere.
- Ikke bruk telefoner i nærheten.
- Evakuer området.
- Ta kontakt med drivstoffleverandøren eller brannvesenet.

Funksjoner og kontroller









Motorkontroller

Sammenlign callout-bokstavene i figurene 1, 2, 3 og 4 med motorkontrollene i den følgende listen:

- A. Motoridentifikasjonsnumre **Modell – Type – Kode**
- B. Tennplugg
- C. Luftfilter (uten drivstofftank)
- D. Luftfilter (med drivstofftank)
- E. Peilepinne
- F. Oljefylling
- G. Oljefilter (hvis montert)
- H. Tappeplugg for olje
- I. Oljetrykksensor
- J. Fingerbeskyttelse
- K. Elektrisk starter
- L. Tilbakespolingsstarter, hvis installert:
- M. Forgasser - Forgassermodeller
- N. Lyddemper
- O. Drivstoffpumpe
- P. Startbryter¹
- Q. Gasspak¹
- R. Choke-kontroll¹
- S. Drivstoffilter (hvis installert)
- T. Drivstofftank
- U. Avstengning for drivstoff (hvis montert)¹
- V. Stoppebryter (hvis montert)¹
- W. Oljekjøler (hvis installert)
- X. Drivstoffpumpemodul - EFI-modeller
- Y. Elektronisk kontrollmodul - EFI-modeller
- Z. Drivstoffinnsprøytning - EFI-modeller

¹ Noen motorer og noe utstyr har fjernkontroller. Se håndboken som tilhører maskinen for plassering og bruk av fjernkontroller.

Symboler for motorkontroller og deres betydning

 Motorhastighet – HURTIG	 Motorhastighet – SAKTE
 Motorhastighet – STOPP	 PÅ - AV
 Start motoren Choke STENGT	 Start motoren Choke ÅPEN
 Løkk til drivstofftank Drivstoffspærre ÅPEN	 Drivstoffspærre STENGT

Drift

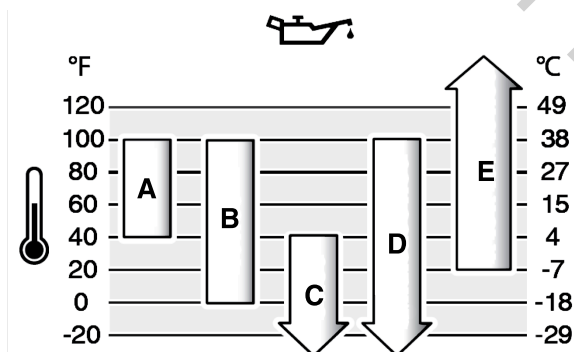
Anbefalinger når det gjelder olje

Oljekapasitet: Se avsnittet *Spesifikasjoner*.

Vi anbefaler å bruke Briggs & Stratton® garantisertifiserte oljer for optimal ytelse. Andre høykvalitets renseoljer er tillatt hvis de er klassifisert for service – SF, SG, SH, SJ eller høyere. Ikke bruk spesielle tilsetningsstoffer.

Benytt tabellen for å velge optimal viskositet for den utendørstemperaturen som forventes. Motorer på de fleste utendørsutstyr opererer med 5W-30 syntetisk olje.

Vanguard® 15W-50 syntetisk olje gir den beste beskyttelsen for utstyr som brukes under varme forhold.



A	SAE 30 – Under 40 °F (4 °C) vil bruk av SAE 30 resultere i vanskelig start.
B	10W-30 – Over 80 °F (27 °C) vil bruk av 10W-30 kunne forårsake økt oljeforbruk. Sjekk oljenivået regelmessig.
C	5W-30
D	Syntetisk 5W-30
E	Vanguard® Syntetisk 15W-50

Sjekk oljenivået

Før du sjekker eller fyller på olje

- Sørg for at motoren står vannrett.
- Tørk bort rusk og urenheter fra området hvor olje fylles på.
- Slå opp *Spesifikasjoner* for informasjon om oljemengde.

OBS

Denne motoren ble sendt fra Briggs & Stratton uten olje. Utstøpsproducentene eller forhandlerne kan ha fylt olje på motoren. Sørg for at det er fylt på tilstrekkelig olje før du starter motoren for første gang. Olje fylles på i henhold til håndbokens instruksjoner. Motoren ødelegges hvis den startes uten olje, og dekkes i så fall ikke garantien.

1. Fjern peilepinnen (A, figur 5) og tørk av den med en ren klut.
2. Installer og stram peilepinnen (A, figur 5).
3. Ta ut peilepinnen og kontroller oljenivået. Forsikre deg om at oljenivået når øverst på full-indikatoren (B, figur 5) på peilepinnen.
4. Hvis oljenivået er lavt, fyll langsomt olje i motoroljepåfyllingen (C, figur 5). Tilfør ikke for mye olje.
5. Vent ett minutt og sjekk oljenivået på nytt. Kontroller oljenivået.

6. Installer og stram peilepinnen (A, figur 5).

Beskyttelsessystem for lav olje (hvis montert)

Noen motorer følger med en sensor som registrerer når oljenivået minsker. Hvis oljenivået er lavt, vil sensoren vise en varselampe eller stanse motoren. Stopp motoren og utfør følgende trinn før du starter motoren.

- Sørg for at motoren står vannrett.
- Sjekk oljen. Slå opp avsnittet *Sjekk oljenivået*.
- Hvis oljenivået er lavt, fyll på riktig mengde olje. Start motoren og sjekk at varselampen (hvis montert) ikke kommer på.
- Ikke start motoren hvis oljenivået er for lavt. Ta kontakt med en Briggs & Stratton- autorisert serviceforhandler for å få olje problemet reparert.

Anbefalinger ang. drivstoff

Drivstoff må oppfylle disse kravene:

- Ren, ny, blyfri bensin.
- Minimum 87 oktan/87 AKI (91 RON). Ang. bruk i store høyder, se nedenfor.
- Bensin med opptil 10 % etanol (gasohol) er tillatt.

OBS

Bruk ikke bensin som ikke er godkjent, slik som E15 og E85. Ikke bland olje i bensinen eller foreta modifikasjoner i motoren til bruk av alternativt drivstoff. Bruk av ikke-godkjent drivstoff kan medføre skade på komponenter i motoren, noe som ikke vil bli dekket av garantien.

Bland en alkoholfri drivstoffstabilisator og etanolbehandling i drivstoffet for å beskytte drivstoffsystemet mot gummidannelse og korrosjon. Slå opp avsnittet *Oppbevaring*. Alt drivstoff er ikke det samme. Hvis start- eller ytelsesproblemer oppstår, bytt drivstoffleverandører eller merker. Denne motoren er sertifisert for bruk med bensin. Utslippskontrollsystemet for forgassede motorer er EM (modifiseringer av motoren). Utslippskontrollsystemene for motorer med elektronisk drivstoffinjeksjon er ECM (modul for motorkontroll), MFI (multiportinnsprøytning for drivstoff), TBI («Throttle Body»-drivstoffinnsprøytning) og hvis utstyr, en O2S (oksygensensor).

Stor høyde over havet

I høyder på over 5000 fot (1524 meter) er det tillatt å bruke minimum 85-oktans/85 AKI (89 RON) bensin.

For motorer med forgassere er justering for bruk i store høyder nødvendig for å kunne utføre vedlikehold. Drift uten denne justeringen vil føre til redusert ytelse, økt drivstofforbruk og økte utslipp. Ta kontakt med et Briggs & Stratton- autorisert forhandlerverksted for informasjon vedr. justering for bruk i store høyder. Bruk av motoren på høyder under 2500 fot (762 meter) med settet for store høyder er ikke anbefalt.

Det er ikke nødvendig å justere motorer med elektronisk drivstoffinnsprøytning (EFI) for bruk i store høyder over havet.

Tilfør drivstoff



ADVARSEL Drivstoff og drivstoffdamp er antennelig og sprengfarlig. Brann eller eksplosjon kan medføre brannskader eller dødsfall.

Når du tilsetter drivstoff

- Stoppe motoren. Vent minst to (2) minutter og sørg for at motoren er kald før du løsner bensinlokket.
- Drivstofftanken må fylles utendørs eller på en plass med god ventilasjon.
- Drivstofftanken må ikke overfylles. For å gi drivstoff ekspansjonsrom, ikke fyll på mer enn til nederst i drivstofftankhalsen.
- Hold drivstoff unna gnister, åpne flammer, tennflammer, varme og andre tennkilder.
- Drivstoffslanger, drivstofftanken, bensinlokket og koblinger skal kontrolleres regelmessig for å se om det har kommet sprekker eller lekkasjer. Bytt skadde deler.
- Hvis du har sølt drivstoff, må du vente til tørker før du starter opp motoren.

1. Rengjør flatene omkring tanklokket for smuss og rusk. Ta av drivstofflokket
2. Fyll drivstofftanken (A, Figur 6) med drivstoff. Gi drivstoffet plass til å utvide seg og ikke fyll til over bunnen av drivstofftankhalsen (B).
3. Sett på bensinlokket.

Start motoren



ADVARSEL

Uheldige/utilsiktede gnister fra motoren kan forårsake elektriske støt eller brann, samt infiltrering, traumatisk amputasjon eller sønderriving.

Før du justerer eller reparerer:

- Ta av tennpluggkablene og hold dem borte fra tennpluggene.
- Koble batteriledningen fra den negative batteriterminalen (kun motorer med elektrisk start).
- Bruk kun riktige verktøy.

Når du skal kontrollere gnist:

- Bruk en godkjent tennpluggtester.
- Ikke se etter gnist med tennpluggen fjernet.



ADVARSEL

Hurtig tilbakespoling av startsnoren (tilbakeslag) trekker hånden og armen raskere mot motoren enn du klarer å slippe taket. Dette kan resultere i beinbrudd, brister, blåmerker eller forstuvninger.

- For å hindre tilbakeslag når du starter motoren, trekk startsnoren sakte til du begynner å kjenne motstand før du trekker raskt.
- Koble fra og fjern alt påmontert utstyr og motorbelastning før motoren startes.
- Sørg for at maskinkomponenter som er montert direkte – slik som, men ikke begrenset til, kniver, viftehjul, remskiver og kjedehjul – er festet riktig.



ADVARSEL

FARE FOR GIFTIG GASS. Eksosen fra motoren inneholder karbonmonoksid (kullos), en giftig gass som kan ta livet av deg i løpet av få minutter. Du kan utsettes for farlig karbonmonoksidgass selv når du ikke lukter det. Trekk frisk luft UMIDDELBART dersom du føler deg kvalm, svimmel eller svak mens du bruker dette produktet. Oppsøk lege. Det er mulig du er forgiftet av karbonmonoksid (kullos).

- Karbonmonoksidgass kan hope opp på bebodde steder. Produktet må brukes utendørs, og langt unna vinduer, dører og ventilert for å redusere risiko forbundet med karbonmonoksidgass.
- Monter batteridrevne karbonmonoksid-alarmer eller kompatible («plug-in») karbonmonoksid-alarmer med reservebatteri, som beskrevet under produsentens instruksjoner. Røykvarslerer registrerer ikke karbonmonoksid gass.
- IKKE kjør dette produktet inne i hus, garasjer, kjellere, boder, eller andre lukkede rom, selv om du bruker vifter eller åpner dører og vinduer for å ventilere. Produktets drift produserer karbonmonoksidgass som raskt kan hope seg opp på slike steder hvor den varer i flere timer.
- Produktet må ALLTID settes slik at det står i medvind og sørg for at eksosen ledes bort fra bebodde områder.

OBS

Denne motoren ble sendt fra Briggs & Stratton uten olje. Utstyrproduzentene eller forhandlerne kan ha fylt olje på motoren. Sørg for at det er fylt på tilstrekkelig olje før du starter motoren for første gang. Olje fylles på i henhold til håndbokens instruksjoner. Motoren ødelegges hvis den startes uten olje, og dekkes i så fall ikke garantien.

MERK: Utstyret kan følge med fjernkontroller. Referer til utstyrets håndbok for plassering og bruk av fjernkontroller.

Oppstartingsystem-typer

Før du starter motoren må du vite hva slags type oppstartingsystem motoren din har. Motoren din har en av disse systemtypene.

- **Elektronisk drivstoffinjeksjon (EFI) system:** Et EFI-system har ikke choke eller primer.
- **Elektronisk drivstoffstyringssystem:** Et elektronisk drivstoffstyringssystem har en elektronisk kontrollenhet som overvåker motor- og temperaturforhold. Den har ikke en manuell choke eller primer.
- **Choke-systemet:** Denne typen system har en choke som skal brukes i kjølige temperaturer. Noen modeller har en separat chokekontroll, mens andre har en kombinert choke og gasspedal-choke. Denne typen har ikke en primer.

Elektronisk drivstoffinnspøyningssystem (EFI)

1. Sjekk motoroljen. Se under **Sjekking av oljenivå**.
2. Sjekk at maskinens drivkontroller, hvis montert, er koblet ut.
3. Sett drivstoffkranen (A, Figur 7), hvis montert, i stillingen ÅPEN.
4. Skyv stoppbryteren (F, figur 7, 8), hvis montert, til PÅ-stillingen.
5. Sett gasspaken (B, Figur 8), hvis montert, i stillingen HURTIG. Motoren skal kjøres i stillingen HURTIG.

6. **Spol tilbake start, hvis montert med nøkkelbryter:** Vri nøkkelbryteren (D, figur 7, 8) til PÅ-stillingen.

7. **Snorstart, hvis montert:** Hold godt tak i håndtaket på startsnoren (E, figur 7, 8). Trekk håndtaket på startsnoren sakte ut til du begynner å kjenne motstand, og trekk deretter raskt.



ADVARSEL

Hurtig tilbakespoling av startsnoren (tilbakeslag) vil trekke hånden og armen din raskere mot motoren enn du klarer å slippe taket. Dette kan føre til benbrudd, frakturer, blåmerker eller forstuing. For å hindre tilbakeslag når du starter motoren, trekk startsnoren sakte til du begynner å kjenne motstand før du trekker raskt.

8. **Elektrisk start, hvis montert:** Vri den elektriske startbryteren (D, figur 7, 8) i PÅ- eller START-stillingen.

OBS For å forlenge starterens levetid, bruk korte startsykluser (fem sekunder er maksimum). Vent ett minutt mellom startsyklusene.

Hvis ikke motoren starter etter 3 eller 4 ganger, kontakt din lokale forhandler eller gå inn på vanguardpower.com eller ring 1-800-999-9333.

Elektronisk drivstoffstyringssystem

1. Sjekk motoroljen. Se under **Sjekking av oljenivå**.
2. Sjekk at maskinens drivkontroller, hvis montert, er koblet ut.
3. Sett drivstoffkranen (A, Figur 7), hvis montert, i stillingen ÅPEN.
4. Skyv stoppbryteren (F, figur 7, 8), hvis montert, til PÅ-stillingen.
5. Sett gasspaken (B, Figur 8), hvis montert, i stillingen HURTIG. Motoren skal kjøres i stillingen HURTIG.
6. **Spol tilbake start, hvis montert med nøkkelbryter:** Vri nøkkelbryteren (D, figur 7, 8) til PÅ-stillingen.
7. **Snorstart, hvis montert:** Hold godt tak i håndtaket på startsnoren (E, figur 7, 8). Trekk håndtaket på startsnoren sakte ut til du begynner å kjenne motstand, og trekk deretter raskt.



ADVARSEL

Hurtig tilbakespoling av startsnoren (tilbakeslag) vil trekke hånden og armen din raskere mot motoren enn du klarer å slippe taket. Dette kan føre til benbrudd, frakturer, blåmerker eller forstuing. For å hindre tilbakeslag når du starter motoren, trekk startsnoren sakte til du begynner å kjenne motstand før du trekker raskt.

8. **Elektrisk start, hvis montert:** Vri den elektriske startbryteren (D, figur 7, 8) i PÅ- eller START-stillingen.

OBS For å forlenge starterens levetid, bruk korte startsykluser (fem sekunder er maksimum). Vent ett minutt mellom startsyklusene.

Hvis ikke motoren starter etter 3 eller 4 ganger, kontakt din lokale forhandler eller gå inn på vanguardpower.com eller ring 1-800-999-9333.

Choke-systemet

1. Sjekk motoroljen. Se under seksjonen **Kontrollér oljenivå og fyll på olje**.
2. Sjekk at maskinens drivkontroller, hvis montert, er koblet ut.
3. Sett drivstoffkranen (A, Figur 7), hvis montert, i stillingen ÅPEN.
4. Skyv stoppbryteren (F, figur 7, 8), hvis montert, til PÅ-stillingen.
5. Sett gasspedalkontrollspaken (B, figur 7), hvis montert, i HURTIG-stillingen. Motoren skal kjøres i stillingen HURTIG.
6. Flytt choke-kontrollen (C, figur 9, 10) til STENGT-stillingen.

MERK: Choken er vanligvis ikke nødvendig når du starter en varm motor.

7. **Spol tilbake start, hvis montert med nøkkelbryter:** Vri nøkkelbryteren (D, figur 7, 8) til PÅ-stillingen.

8. **Snorstart, hvis montert:** Hold godt tak i håndtaket på startsnoren (E, figur 7, 8). Trekk håndtaket på startsnoren (E) sakte ut til du begynner å kjenne motstand, og trekk deretter raskt.



ADVARSEL

Hurtig tilbakespoling av startsnoren (tilbakeslag) vil trekke hånden og armen din raskere mot motoren enn du klarer å slippe taket. Dette kan føre til benbrudd, frakturer, blåmerker eller forstuing. For å hindre tilbakeslag når du starter motoren, trekk startsnoren sakte til du begynner å kjenne motstand før du trekker raskt.

9. **Elektrisk start, hvis montert:** Vri nøkkelbryteren (D, figur 7, 8) til PÅ- eller START-stillingen.

OBS

For å forlenge starterens levetid, bruk korte startsykluser (fem sekunder er maksimum). Vent ett minutt mellom startsyklusene.

10. Flytt choken (C, figur 9, 10) til ÅPEN-stillingen ettersom motoren varmes opp.

MERK: Hvis motoren ikke starter etter 2–3 forsøk, kontakt din lokale forhandler eller gå inn på vanguardpower.com eller ring 1-800-999-9333.

Stopp motoren



ADVARSEL

Drivstoff og drivstoffdamp er antennelig og sprengfarlig. Brann eller eksplosjon kan medføre brannskader eller dødsfall.

- Motoren må ikke stanses ved å kvele forgasseren (hvis dette er montert).
1. **Stoppebryter, hvis montert:** Sett stoppebryteren (F, figur 11) i AV-stillingen.
 2. **Nøkkelbryter, hvis utstyrt:** La gasspedalkontrollen, hvis montert, stå i LANGSOM-stillingen mens du vri nøkkelbryteren (D, figur 11) til AV-stillingen og oppbevar den på et trygt sted som er utilgjengelig for barn.
 3. Sett drivstoffkranen (A, Figur 11), hvis montert, i stillingen STENGT etter at motoren har stanset.

Vedlikehold

Vedlikeholdsinformasjon



ADVARSEL

Drivstoff og drivstoffdamp er antennelig og sprengfarlig. Brann eller eksplosjon kan medføre brannskader eller dødsfall.

Hvis du må vippe apparatet under vedlikeholdsarbeid, sørg for at drivstoffanken (hvis montert) er tom og at tennpluggsiden er vendt opp. Det kan oppstå lekkasje som kan forårsake brann eller eksplosjon hvis ikke drivstoffanken er tom. Motoren vil ikke være lett å starte hvis den vippes i en annen retning, fordi luftfilteret eller tennpluggen blir kontaminert av olje eller drivstoff.



ADVARSEL

Uheldige/utslippsede gnister fra motoren kan forårsake elektriske støt eller brann, samt infiltrasjon, traumatisk amputasjon eller sønderring.

Før du justerer eller reparerer:

- Ta av tennpluggkablene og hold dem borte fra tennpluggene.
- Koble batteriledningen fra den negative batteriterminalen (kun motorer med elektrisk start).
- Bruk kun riktige verktøy.

Når du skal kontrollere gnist:

- Bruk en godkjent tennpluggtester.
- Ikke se etter gnist med tennpluggen fjernet.



ADVARSEL

Reservedeler må alltid være av samme type og monteres i samme posisjon som originaldelene. Andre deler kan utsettes for eller medføre skader.

OBS

Alle komponenter som er brukt i denne motoren må være montert for at den skal fungere riktig.

Vi anbefaler at du tar kontakt med en Briggs & Stratton- autorisert serviceforhandler for å få utført alt vedlikeholdsarbeid og service av motoren og motordelene.

Utslippskontrollservice

For vedlikehold, utskifting eller reparasjon av utslippskontrollenheter og -systemer, ta kontakt med et kvalifisert motorreparasjonsfirma eller mekaniker. Men for «gratis» utslippskontroll-service, må arbeidet utføres av en fabrikkautorisert forhandler. Slå opp erklæringene som gjelder avgasskontroll.

Vedlikeholdsplan

Intervaller på 8 timer eller daglig

- Sjekk oljenivået i motoren.
- Rengjør området rundt lydtemperen og kontrollene.

Intervaller på 100 timer eller årlig

- Skift tennpluggene.
- Skift motoroljen.
- Skift ut oljefilteret (hvis installert).
- Utfør service på luftfilteret¹.
- Rengjør forfilteret (hvis montert)¹.
- Service av eksossystemet.

Intervaller på 250 timer eller årlig

- Sjekk ventilkleringen. Justeres etter behov.

Intervaller på 400 timer eller årlig

- Skift luftfilteret.
- Bytt drivstoffilteret ut.
- Service av luftkjølesystemet¹.
- Rengjør finnene på oljekjøleren¹.

¹ Rengjør oftere i støvete forhold eller når det er mange partikler i luften.

Elektronisk drivstoffinnsprøytningssystem (EFI)

EFI-systemet overvåker motortemperatur, motorhastighet og batterispenning for motoroppstart og oppvarming. Det finnes ingen justeringer på systemet. Hvis det forekommer start- eller driftsproblemer, ta kontakt med en autorisert serviceforhandler for Briggs & Stratton.

OBS Se til at du følger trinnene nedenfor, ellers kan EFI-systemet bli skadet.

- Start ALDRI motoren hvis batterikablene er løse.
- Drei nøkkelen i AV-stilling før du kobler fra, fjerner og/eller installerer batteriet.
- Bruk ALDRI en batterilader til å starte motoren.
- Koble ALDRI fra batterikablene mens motoren går.
- Når du kobler til batterikablene, koble først til den positive (+) kabelen og koble deretter til den negative (-) kabelen til batteriet.
- Ved lading av batteriet, vri tenningsbryteren i AV-stilling og ta den negative (-) batterikabelen av batteriet.
- Ikke sprut vann direkte på den elektroniske kontrollmodulen.

Elektronisk drivstoffstyringssystem

Det elektroniske drivstoffstyringssystemet overvåker motorens temperatur, hastighet og batterispenning for å justere choken ved motoroppstart og oppvarming. Det finnes ingen justeringer på systemet. Hvis det forekommer start- eller driftsproblemer, snakk med en autorisert serviceforhandler for Briggs & Stratton.

OBS Sørg for å følge disse reglene, ellers kan det elektroniske drivstoffstyringssystemet skades.

- Start ALDRI motoren hvis batterikablene er løse.
- Før du kobler til startkablene eller kobler fra eller til batterikablene, vri tenningsbryteren til AV-posisjonen. Når du lader batteriet, må du vri tenningsbryteren til AV-posisjonen.
- Når du kobler batterikablene fra batteriet, koble den negative (-) kabelen fra, og koble deretter den positive (+) kabelen fra batteriet. Når du kobler batterikablene til batteriet, koble den positive (+) kabelen til, og deretter den negative (-) kabelen til batteriet.
- Bruk ALDRI en batterilader til å starte motoren.
- Koble ALDRI fra batterikablene mens motoren går.
- IKKE sprut vann direkte på den elektroniske kontrollenheten.

Forgasser og motorhastighet

Ikke juster forgasseren, forbindelsesledd eller andre deler for å justere motorhastigheten. Hvis det er nødvendig å foreta justeringer, ta kontakt med en Briggs & Stratton- autorisert serviceforhandler for service.

OBS

Maskinprodusenten spesifiserer maksimal hastighet for motoren som er montert på maskinen. Ikke overgå denne hastigheten. Hvis du ikke er sikker på hva den maksimale hastigheten til maskinen er, eller hva slags motorhastighet som ble innstilt på fabrikk, ta kontakt med et autorisert Briggs & Stratton forhandlerverksted for å få hjelp. For at maskinen skal fungere trygt og riktig, må motorhastigheten kun justeres av en kvalifisert mekaniker.

Service av tennplugg

Sjekk tennpluggavstanden (A, figur 12) med en trådmåler (B). Juster tennpluggavstanden hvis det er nødvendig. Installer og stram tennpluggen til det riktige dreiemomentet. Referer til seksjonen **Spesifikasjoner** for informasjon om avstand- og dreiemoment-spesifikasjoner.

Service av eksosystemet



ADVARSEL

Motoren og lydputten hetes opp under drift. Berøring av oppvarmet motor kan forårsake brannskader.

Lettantennelige materialer som blader, gress og kratt kan ta fyr.

- Stans motoren og vent to (2) minutter før du rører motoren eller eksospotten. Sørg for at motoren og eksospotten trygt kan berøres.
- Fjern smuss fra eksospotten og motoren.

Det er et brudd på California Public Resource Code, § 4442, å bruke eller ha motoren i gang på et skogkledd, kratt-dekket, eller gresskledd stykke land med mindre eksossystemet er utstyrt med en gnistfanger som er holdt i fullgod stand, slik som definert i § 4442. Andre delstater eller føderale jurisdiksjoner kan ha tilsvarende lover. Se Federal Regulation 36 CFR del 261.52. Kontakte den opprinnelige utstyrproduzenten, detaljisten eller forhandleren for å få en gnistfanger satt på det eksosanlegget som er installert på denne motoren.

Fjern smuss fra eksospotte- og sylinderrådet. Inspiser lydtemperen for sprekker, korrosjon eller andre skader. Fjern ledeplaten eller gnistfangeren, hvis montert, og se etter skader eller sotbelegg. Hvis det finnes skader, må delene skiftes ut før du bruker utstyret.



ADVARSEL

Reservodeler må alltid være av samme type og monteres i samme posisjon som originaldelene. Andre deler kan utsettes for eller medføre skader.

Skift motorolje



ADVARSEL

Drivstoff og drivstoffdamp er antennelig og sprengfarlig. Brann eller eksplosjon kan medføre brannskader eller dødsfall.

Motoren og lydputten hetes opp under drift. Berøring av oppvarmet motor kan forårsake brannskader.

- Hvis du taper av olje fra toppen av oljepåfyllingsrøret, må drivstofftanken være tom. Drivstoff kan lekke og forårsake brann eller eksplosjon hvis ikke den er tom.
- Stans motoren og vent to (2) minutter før du rører motoren eller eksospotten. Sørg for at motoren og eksospotten trygt kan berøres.

Brukt olje er et farlig avfallsprodukt som må kasseres hensiktsmessig. Må ikke kastes sammen med husholdningsavfall. Ta kontakt med lokale myndigheter, et servicesenter eller en forhandler ang. anlegg for trygg deponering eller resirkulering.

Tømming av olje

1. Med motoren AV, men varm, koble fra tennpluggledningen(e) (D, figur 13) og hold den/dem borte fra tennpluggen(e) (E).
2. Fjern peilepinnen (A, figur 14, 15.).
3. Fjern oljetappepluggen (F, figur 16, 17). Tapp av oljen på en godkjent beholder.
4. Installer og stram til oljetappepluggen (F, figur 16, 17).

Skifte oljefilter, hvis montert

1. Tapp oljen av motoren. Slå opp avsnittet **Tømme olje**.
2. Fjern oljefilteret (G, figur 18, 19) og avhend på riktig måte.
3. Før du setter på det nye oljefilteret, smør lett oljefilterpakningen med ren olje.
4. Installer oljefilteret for hånd til pakningen får kontakt med oljefilteradapteren og stram oljefilteret 1/2 til 3/4 omgang.
5. Tilfør olje. Slå opp avsnittet **Påfylling av olje**.
6. Start og kjør motoren. Se etter oljelekkasjer når motoren er varmet opp.
7. Stoppe motoren. Sørg for at oljenivået er øverst på full-indikatoren på peilepinnen. Slå opp avsnittet **Påfylling av olje**.

Påfylling av olje

- Sørg for at motoren står vannrett.
 - Rengjør oljepåfyllingsområdet for alt rusk.
 - Slå opp avsnittet **Spesifikasjoner** for informasjon om oljekapasitet.
1. Fjern peilepinnen (A, figur 20, 21.). Fjern olje fra peilepinnen med en ren klut.
 2. Tilsett langsomt olje i motoroljepåfyllingen (C, figur 20, 21) **Ikke overfyll.** Vent i ett minutt og sjekk deretter oljenivået.
 3. Sett inn og stram peilepinnen (A, figur, 20, 21).

4. Ta ut peilepinnen og kontroller oljenivået. Riktig oljenivå er øverst på full-indikatoren (B, figur 20, 21) på peilepinnen.
5. Sett inn og stram peilepinnen (A, figur, 20, 21).
6. Koble tennpluggledningen(e) (D, figur 20) til tennpluggen(e).

Service av luftfilter



ADVARSEL

Damp fra drivstoff er brann- og sprengfarlig. Brann eller eksplosjon kan medføre brannskader eller dødsfall.

- Motoren må ikke startes og kjøres hvis luftfilterenheten (hvis montert) eller luftfilteret (hvis montert) er tatt av.

OBS

Ikke bruk trykkluft eller løsemidler til å rengjøre filteret. Trykkluft kan medføre skader på filteret og løsemidler vil løse opp filteret.

Se **Vedlikeholdsplanen** for informasjon om servicekrav.

Enkelte modeller kan også ha et valgfritt forfilter som kan vaskes og brukes om igjen. Sammenlign illustrasjonene i denne håndboken med typen som er montert på din motor.

1. **Modeller uten drivstofftank:** Løsne festet (festene) (A, Figur 22) og ta av dekslet (B).
2. **Modeller med en drivstofftank:** Fjern festet/festene (C, figur 23) og dekslet (D).
3. Fjern mutteren (D, figur 22, 23) og holderen (E).
4. Fjern luftfilteret (F, figur 22, 23).
5. Fjern forfilteret (G, figur 22, 23), hvis montert, fra luftfilteret (F).
6. Bank filteret (F, figur 22, 23) forsiktig mot en hard overflate for å løsne rusk. Dersom luftfilteret er skittent, skift det ut med et nytt filter.
7. Rengjør forfilteret (G, figur 22, 23), hvis montert, i flytende vaskemiddel og vann. La forfilteret tørke ut naturlig. **IKKE** smør forfilteret.
8. Monter det tørre forfilteret (G, figur 22, 23), hvis montert, på luftfilteret (F).
9. Installer luftfilteret (F, figur 22, 23) og fest det med holderen (E) og mutteren (D).
10. Installer dekselet (B, figur 22, 23).

Vedlikehold av drivstoffsystemet



ADVARSEL

Drivstoff og drivstoffdamp er antennelig og sprengfarlig. Brann eller eksplosjon kan medføre brannskader eller dødsfall.

- Hold drivstoff unna gnister, åpne flammer, tennflammer, varme og andre tennkilder.
- Drivstoffslanger, drivstofftanken, bensinlokket og koblinger skal kontrolleres regelmessig for å se om det har kommet sprekker eller lekkasjer. Bytt skadete deler.
- Hvis du har sølt drivstoff, må du vente til tørker før du starter opp motoren.

Drivstoffilter, hvis montert

1. Før du bytter ut drivstoffilteret (A, Figur 24), tøm drivstoffkranen eller lukk lukkeventilen for drivstoff. Drivstoff kan lekke ut og forårsake brann eller eksplosjon hvis ikke drivstofftanken har blitt tømt.
2. Bruk en tang til å trykke ned tappene (B, Figur 24) på klemmene (C) og skyv deretter klemmene bort fra drivstoffilteret (A).
3. Vri og trekk av drivstoffledningene (D, Figur 24) fra drivstoffilteret.
4. Undersøk drivstoffslangene (D, Figur 24) for å se om det er sprekker eller lekkasjer. Om nødvendig, bytt ut drivstoffslangene.
5. Skift ut drivstoffilteret (A, Figur 24).
6. Fest drivstofflinjene (D, Figur 24) med klemmer (C).

Vedlikehold av kjølesystemet



ADVARSEL

Motoren og lydputten hetes opp under drift. Berøring av oppvarmet motor kan forårsake brannskader.

Lettantennelige materialer som blader, gress og kratt kan ta fyr.

- Stans motoren og vent to (2) minutter før du rører motoren eller eksospotten. Sørg for at motoren og eksospotten trygt kan berøres.
- Fjern smuss fra eksospotten og motoren.

OBS

Motoren må aldri rengjøres med vann. Vann kan forurense drivstoffsystemet. Bruk en børste eller en tørr klut til å rengjøre motoren.

Dette er en luftkjølt motor. Skitt eller rusk kan hindre luftstrømmen og føre til at motoren blir for varm og resulterer i utilfredsstillende ytelse og nedsatt levetid for motoren.

1. Bruk en børste eller en tørr klut til å fjerne partikler fra luftinntaksgitteret.
2. Hold forbindelsesledd, fjærer og kontrollerer rene.
3. Hold området rundt og bak eksospotten fritt for brennbar materiale.
4. Sørg for at ribbene på oljekjøleren er rene (hvis dette følger med).

Over tid kan det samle seg opp rust i kjølefinnene til sylinderen og forårsake at motoren overoppheves. Dette uønskede materialet kan ikke fjernes uten at man demonterer motoren delvis. Be et autorisert Briggs & Stratton forhandlerverksted om å inspisere og rengjøre luftkjølesystemet slik som anbefalt i **Vedlikeholdsplanen**.

Oppbevaring Drivstoffsystemet

Se figur 25.



ADVARSEL Drivstoff og drivstoffdamp er antennelig og sprengfarlig. Brann eller eksplosjon kan medføre brannskader eller dødsfall.

Oppbevaring av drivstoff

- Da spareblusser eller andre tennkilder kan forårsake eksplosjoner, må ikke drivstoff og utstyr lagres i nærheten av fyringsanlegg, ovner, varmtvannsbereidere eller annet utstyr med sparebluss.

Motoren skal stå vannrett (i normal driftsposisjon). Fyll drivstofftanken (A, figur 25) med drivstoff. Fyll ikke over drivstofftankens hals, slik at drivstoffet får rom til å ekspandere (B).

Drivstoff kan bli foreldet når det oppbevares i en kanne i mer enn 30 dager. Bruken av en alkoholfri drivstoffstabilisator og etanolbehandling i drivstoffkannen er anbefalt for å forhindre nedbryting av drivstoffet og for å holde drivstoffet friskt.

Når du fyller drivstoffkannen med drivstoff, tilsett en alkoholfri drivstoffstabilisator som spesifisert av produsentens instruksjoner. Hvis bensin i motoren ikke har blitt behandlet med en drivstoffstabilisator, må den tømmes i en godkjent kanne. Kjør motoren til den er tom for drivstoff.

Motorolje

Skift olje mens motoren fortsatt er varm. Se avsnittet **Skifte av motorolje**.

Feilsøking Assistanse

Hvis du trenger hjelp, ta kontakt med din lokale forhandler eller gå til **BRIGGSandSTRATTON.COM** eller ring **1-800-444-7774** (i USA).

Spesifikasjoner

Spesifikasjoner og reservedeler

MODELLER: 290000, 300000	
Sylindervolum	29.23 ci (479 cc)
Sylinderboring	2.677 in (68 mm)
Slaglengde	2.598 in (66 mm)
Oljekapasitet	46 - 48 oz (1,36 - 1,42 L)
Tennpluggens avstand	.030 in (.76 mm)
Tennpluggens dreiemoment	180 lb-in (20 Nm)
Tennspolens luftspalte - Modeller med forgasser	.008 - .012 in (.20 - .30 mm)
Klaring for inntaksventil	.004 - .006 in (.10 - .15 mm)
Eksosventil Klaring	.004 - .006 in (.10 - .15 mm)

MODELL: 350000	
Sylindervolum	34.78 ci (570 cc)
Sylinderboring	2.835 in (72 mm)
Slaglengde	2.756 in (70 mm)
Oljekapasitet	46 - 48 oz (1,36 - 1,42 L)
Tennpluggens avstand	.030 in (.76 mm)
Tennpluggens dreiemoment	180 lb-in (20 Nm)
Tennspolens luftspalte - Modeller med forgasser	.008 - .012 in (.20 - .30 mm)

MODELL: 350000

Klaring for inntaksventil	.004 - .006 in (.10 - .15 mm)
Eksosventil Klaring	.004 - .006 in (.10 - .15 mm)

MODELL: 380000

Sylindervolum	38.26 ci (627 cc)
Sylinderboring	2.972 in (75,5 mm)
Slaglengde	2.756 in (70 mm)
Oljekapasitet	46 - 48 oz (1,36 - 1,42 L)
Tennpluggens avstand	.030 in (.76 mm)
Tennpluggens dreiemoment	180 lb-in (20 Nm)
Tennspolens luftspalte - Forgassermodeller	.008 - .012 in (.20 - .30 mm)
Klaring for inntaksventil	.004 - .006 in (.10 - .15 mm)
Eksosventil Klaring	.004 - .006 in (.10 - .15 mm)

Motorens ytelse vil reduseres med 3,5 % for hver 1000 fot (300 meter) over havet, og med 1 % for hver 10 °F (5,6 °C) over 77 °F (25 °C). Motoren vil fungere tilfredsstillende ved en vinkel på opp til 15°. Se bruksanvisningen for utstyret for tillatte trygge arbeidsgrenser i skråninger.

MODELLER: 290000, 300000, 350000, 380000

Reservedel	Del Nummer
Luftfilter (med drivstofftank, figur 23)	383857
Luftfilter (unntatt modell 380000, figur 22)	394018
Luftfilter (modell 380000, 22)	692519
Luftfilter, forfilter (med drivstofftank, figur 23)	271794
Luftfilter, forfilter (unntatt modell 380000, figur 22)	272490
Luftfilter, forfilter (modell 380000, figur 22)	692520
Olje - SAE 30	100028
Oljefilter	842921
Drivstofffilter (med drivstofftank)	808116
Drivstofffilter (med drivstoffpumpe)	845125
Drivstofffilter (uten drivstoffpumpe)	298090
Resistortennplugg	491055S
Long Life Platinum tennplugg	696202, 5066K
Tennpluggnøkkel	19576S
Gnisttester	84003327

Vi anbefaler at du tar kontakt med en Briggs & Stratton- autorisert forhandler for alt vedlikehold og service av motoren og motordelene.

Effektberegning

Brutto effektberegning for individuelle bensinmotorer er merket i henhold til SAE- (Society of Automotive Engineers) kode J1940 Small Engine Power & Torque Rating Procedure, og er rangert i henhold til SAE J1995. Dreiemomentverdiene hentes ut ved 2600 o/min for motorer hvor «rpm» (o/min) er nevnt på etiketten, og 3060 o/min for alle andre. Verdien for hestekrefter hentes ut ved 3600 o/min. Bruttokurver kan sees på www.BRIGGSandSTRATTON.COM. Nettoeffekt-verdiene er målt med eksos- og luftfilter installert, mens bruttoverdiene er målt uten disse tilbehørene. Reell brutto motoreffekt vil være høyere enn netto motoreffekt, og påvirkes av blant annet forhold i omgivelsene og variasjoner fra motor til motor. Gitt det brede spekteret av produkter som motorer er montert inn i, kan ikke bensindrevne motorer utvikle nominell bruttoeffekt når de brukes i et bestemt elektrisk utstyr. Denne forskjellen skyldes en rekke faktorer, inkludert, men ikke begrenset til, variasjonen i motordeler (luftfilter, eksosanlegg, lader, kjøleanlegg, forgasser, drivstoffpumpe osv.), begrensninger i bruk, forhold i omgivelsene (temperatur, fuktighet, høyde), og variasjoner fra motor til motor. På grunn av produksjons- og kapasitetsmessige begrensninger, kan Briggs & Stratton bytte ut en motor med en som er av høyere rangert effekt for denne motoren.

Garanti

Briggs & Stratton®-motorgaranti

Effektiv fra august 2022

Begrenset garanti

Briggs & Stratton garanterer at i løpet av garantiperioden som angitt nedenfor, vil foretaket sørge for å reparere eller skifte ut alle deler som er defekte med nye, renoverte eller reproduserte deler gratis (etter Briggs & Stratton sitt skjønn), enten svikten skyldes materialet, utførelsen derav, eller begge deler. Transportkostnader for et produkt som sendes inn for reparasjon eller utskifting av deler som faller inn under

denne garantien, må dekkes av kjøperen. Denne garantien er kun gyldig for og er underlagt den tidsperioden og de vilkårene som er nevnt nedenfor. For service under garantien, finn din nærmeste autoriserte serviceforhandler på forhandlersøk-kartet på BRIGGSandSTRATTON.COM. Kjøperen må kontakte autorisert serviceforhandler og deretter gjøre produktet tilgjengelig for den autoriserte forhandleren for inspeksjon og testing.

Det finnes ingen andre uttrykkelige garantier. Underforståtte garantier, medregnet dem som gjelder forretningsmessighet og egnethet til et bestemt formål, begrenser seg til ett år fra kjøpet fant sted eller innenfor den gyldighetsperioden som tillates gjennom lov. Alle andre underforståtte garantier er utelukket. Ansvar for tilfeldige skader eller følgeskader er utelukket i den grad utelukkelse er tillatt ved lov. Noen stater eller land tillater ikke begrensninger på hvor lang tid en underforstått garanti gjelder og noen stater eller land tillater ikke utelukkelse eller begrensning av tilfeldige skader eller følgeskader, og dermed er det ikke sikkert at begrensningen eller utelukkelsen ovenfor gjelder for deg. Denne garantien gir deg spesifikke juridiske rettigheter og andre rettigheter som kan variere fra land til land.

Standard garantivilkår^{1, 2}
Vanguard®; Kommersiell serie
Forbrukerbruk – 36 måneder
Kommersiell bruk – 36 måneder
XR serie
Forbrukerbruk – 24 måneder
Kommersiell bruk – 24 måneder
Alle andre motorer med Dura-Bore™ støpejernsforing
Forbrukerbruk – 24 måneder
Kommersiell bruk – 12 måneder
Alle andre motorer
Forbrukerbruk – 24 måneder
Kommersiell bruk – 3 måneder

¹ Dette er våre standard garantivilkår, men noen ganger kan det være ekstra garantidekning som ikke var bestemt på det tidspunktet dokumentasjonen gikk i trykken. For å se en liste over aktuelle garantivilkår for din motor, gå inn på BRIGGSandSTRATTON.COM eller henvend deg til din autoriserte Briggs & Stratton-serviceforhandler.

² Det er ingen garanti på motorer påmontert på utstyr som brukes til å produsere kraft som erstatter kraft fra en kraftleverandør, reserveaggregater som brukes i kommersiell sammenheng, kraftleverandørkjøretøy som overskrider 40 km/t eller motorer som brukes til konkurransekjøring eller på kommersielle baner eller utleiebaner.

* Gjelder Australia – Våre varer selges her med garantier som ikke kan utelukkes i henhold den australske forbrukerkjøpsloven. Du har krav på erstatning eller refusjon for større svikt og kompensasjon for alt annet rimelig forutsigbart tap eller skade. Du har også rett til å få varene reparert eller skiftet ut dersom varene viser seg å ikke være av akseptabel kvalitet og svikten ikke er en stor svikt. For service under garantien, finn nærmeste autoriserte serviceforhandler på forhandlersøk-kartet på BRIGGSandSTRATTON.COM, eller ved å ringe 1300 274 447, eller ved å sende e-post eller skrive til salesenquiries@briggsandstratton.com.au, Briggs & Stratton Australia Pty Ltd, 1 Moorebank Avenue, Moorebank, NSW, Australia, 2170.

Garantitiden begynner på kjøpsdatoen der kjøperen er den første private brukeren eller profesjonelle endelige brukeren, og fortsetter ut den perioden som er angitt i tabellen ovenfor. "Hjemmebruk" betyr privat bruk hjemme av en forbruker. "Forretningsmessig bruk" betyr all annen bruk, inkludert bruk for kommersielt, forretningsmessig eller utleieformål. Så snart en motor er blitt anvendt til profesjonelt bruk, vil den deretter bli betraktet som en kommersiell motor med hensyn til garantien.

Det er ikke nødvendig med noen garantiregistrering for å få garanti på Briggs & Stratton-produkter. Ta vare på kvitteringen som bevis på kjøp. Hvis du ikke skaffer til veie bevis på den opprinnelige kjøpsdatoen på det tidspunktet du gjør garantien gjeldende, vil produksjonsdatoen på produktet brukes til å fastsette garantiperioden.

Om din garanti

Denne begrensede garantien dekker kun defekter på materialer og/eller utførelse av arbeid på motoren, og ikke erstatning eller tilbakebetaling for utstyret som motoren eventuelt er montert på. Rutinemessig vedlikehold, trimming, justeringer eller normal slitasje dekkes ikke av denne garantien. Garantien er heller ikke gyldig hvis motoren er blitt endret eller modifisert eller hvis motorens serienummer er ødelagt eller fjernet. Denne garantien dekker ikke skader på motor eller problemer med ytelse forårsaket av:

1. Bruk av deler som ikke er Briggs & Stratton
2. Bruk av motoren med for lite olje, forurenset olje eller feil type olje;
3. Bruk av forurenset eller gammelt drivstoff, bensin som inneholder mer enn 10 % etanol, eller bruk av alternativt drivstoff, slik som forskjellige typer flytende petroleum eller naturgass i motorer som ikke var opprinnelig konstruert/produsert av Briggs & Stratton til å bruke slike drivstofftyper;

4. Smuss som har kommet inn i motoren som resultat av feil vedlikehold eller feil reponering av luftfilteret;
5. At kniven på en roterende gressklipper har truffet en gjenstand, løse eller feil monterte knivadapere, viftehjul eller andre deler som er koblet til veivakselen, eller at v-remmen er for stram;
6. Tilhørende deler eller monteringer slik som kløtsjer, girkasser, kontroller for utstyr osv. som ikke er levert av Briggs & Stratton;
7. Overoppheting som resultat av at gressrester, rusk og partikler eller musereir blokkerer eller tetter igjen kjøleribbene eller svinghjulet, eller skader forårsaket av at motoren er blitt brukt på steder uten tilstrekkelig ventilasjon;
8. Sterk vibrasjon forårsaket av for høyt turtall, at motoren sitter løst, løstsittende eller ubalanserte kniver eller viftehjul, eller at utstyr er feil montert på veivakselen;
9. Feil bruk, manglende rutinemessig vedlikehold, transport, håndtering eller lagring av utstyr, eller feil montering av motoren.

Garantiservice er kun tilgjengelig gjennom Briggs & Stratton-autoriserte serviceforhandlere. Finn din nærmeste autoriserte serviceforhandler på vårt forhandlersøk-kart på BRIGGSandSTRATTON.COM eller ved å ringe 1-800-444-7774 (i USA).

80114782 (Revisjon A)

Informações gerais



Este manual contém as informações de segurança sobre os perigos e riscos relacionados com o motor e como evitá-los. Também contém a operação e manutenção corretas deste motor. É importante ler, compreender e seguir estas instruções. **Guarde este manual para consulta futura.**

NOTA: As figuras e ilustrações neste manual são fornecidas apenas a título informativo e podem ser diferentes do seu modelo. Use as figuras que se alinham com a configuração do seu motor. Se for necessário, fale com um Revendedor de Serviços Autorizado.

Registe a data de aquisição, o modelo do motor, o tipo, a guarnição e o número de série do motor para peças de reposição. Estes números estão indicados no motor. Consulte a secção **Características e Controlos**.

Data de aquisição	
Modelo do Motor - Tipo - Guarnição	
Número de série do motor	

Informações de contacto escritório europeu

Para assuntos relacionados com emissões europeias, contacte o nosso escritório europeu:

Max-Born-Straße 2, 68519 Viernheim, Alemanha.

Estágio V (5) da União Europeia (UE): Valores de Dióxido de Carbono (CO₂)

Digite CO₂ na janela de pesquisa em BriggsandStratton.com para encontrar os valores de dióxido de carbono dos motores com certificado de homologação da UE Briggs & Stratton.

Informação sobre reciclagem




Recicle todas as caixas de papelão, caixas, óleo usado e baterias, conforme especificado pelos regulamentos governamentais.

Segurança do Operador

Símbolo de alerta de segurança e palavras de sinalização



O símbolo de alerta de segurança  identifica informação de segurança sobre perigos que podem resultar em lesões pessoais. Uma palavra de sinalização (**PERIGO**, **ADVERTÊNCIA**, ou **CUIDADO**) é usada para indicar a probabilidade e potencial gravidade da lesão. Para além disso, um símbolo de perigo pode ser usado para representar o tipo de perigo.







PERIGO indica um perigo que, se não for evitado, **irá** resultar em morte ou lesões graves.





ADVERTÊNCIA indica um perigo que, se não for evitado, **pode** resultar em morte ou lesões graves.

CUIDADO indica um perigo que, se não for evitado, **pode** resultar em ferimentos ligeiros ou moderados.

AVISO indica informação considerada importante, mas não relacionada com perigo.

Símbolos de Segurança e Respective Significados

	Informação de segurança sobre perigos que podem resultar em lesões pessoais.		Deve ler e compreender o Manual do Utilizador antes de trabalhar ou intervir na unidade.
	Perigo de incêndio		Perigo de explosão
	Perigo de choque		Perigo de fumo tóxico

	Perigo de superfície quente		Perigo de contragolpe (coice)
	Perigo de amputação - Peças móveis		Nível de combustível - Máximo Não encher demais

Mensagens de Segurança



ADVERTÊNCIA

Os motores da Briggs & Stratton® não foram concebidos nem devem ser usados para accionar: karts de diversão; karts reais; veículos todo-terreno desportivos, para crianças, ou recreativos (ATV); motos; hovercraft; produtos aeronáuticos; ou veículos usados em provas de competição não aprovadas pela Briggs & Stratton. Para obter informações sobre produtos de competição, consulte www.briggsracing.com. Caso pretenda usar este motor com ATV utilitários e "side-by-side", deve entrar em contacto com o Briggs & Stratton Power Application Center, 1-866-927-3349. O uso incorreto do motor pode resultar em ferimentos graves ou morte.



ADVERTÊNCIA

O combustível e os seus vapores são inflamáveis e explosivos. Incêndio ou explosão pode resultar em queimaduras ou morte.

Quando adiciona combustível

- Pare o motor. Antes de remover a tampa do combustível, aguarde no mínimo dois (2) minutos para garantir que o motor esteja frio.
- Encha o depósito de combustível ao ar livre ou numa área com bom fluxo de ar.
- Não coloque muito combustível no depósito. Para permitir a expansão do combustível, não deixe o nível do combustível ultrapassar a parte inferior do bocal do depósito.
- Mantenha o combustível afastado de faíscas, chamas abertas, chamas piloto, calor e outras fontes de ignição.
- Examine frequentemente as linhas de combustível, o depósito de combustível, a tampa do combustível e as conexões quanto a rachaduras ou vazamentos. Substitua as peças danificadas.
- Se derramar combustível, aguarde até que este evapore antes de ligar o motor.

Quando arrancar o motor

- Assegure-se de que a vela de ignição, o silenciador, o tampão do combustível e o purificador do ar (se instalado) estão instalados corretamente.
- Não acione o motor com a vela de ignição retirada.
- Se o motor estiver encharcado, coloque o estrangulador (se equipado) na posição **ABERTO** ou **FUNCIONAMENTO**. Desloque a válvula reguladora (se instalada) para a posição **RÁPIDA**, e acione até que o motor arranque.
- Se existir uma fuga de gás natural ou de GPL na zona, não ligue o motor.
- Não utilize fluidos de arranque pressurizados, porque os vapores são inflamáveis.

Quando operar o equipamento

- Não incline o motor nem o equipamento a ponto de derramar combustível.
- Não estrangule o carburador (se instalado), para parar o motor.
- Nunca arranque ou opere o motor, se o conjunto do purificador do ar (se instalado) ou o filtro de ar (se instalado) tiverem sido removidos.

Quando fizer a manutenção

- Caso o óleo seja drenado pelo tubo de enchimento superior do depósito de combustível, este deve estar vazio. Se não estiver vazio, pode ocorrer vazamento de combustível e resultar em incêndio ou explosão.
- Durante a manutenção, se for necessário inclinar a unidade, verifique se o depósito de combustível, se montado no motor, está vazio e se o lado da vela de ignição está levantado. Se o depósito de combustível não estiver vazio, pode ocorrer vazamento de combustível e resultar em incêndio ou explosão.
- Examine frequentemente as linhas de combustível, o depósito de combustível, a tampa do combustível e as conexões quanto a rachaduras ou vazamentos. Substitua as peças danificadas.
- Não tente alterar a mola do regulador do motor, ligações ou outras peças para aumentar a velocidade do motor.
- Não bata no volante com um martelo ou um objeto duro. Isto pode resultar em falha do volante durante a operação.
- As peças de reposição devem ser do mesmo modelo e ser instaladas na mesma posição que as peças originais. Outras peças podem resultar em danos ou ferimentos.

Quando mover a localização do equipamento

- Verifique se o depósito de combustível está VAZIO ou se a válvula de corte de combustível está na posição FECHADA.

Quando armazenar combustível ou o equipamento com combustível no depósito

- Armazene-os longe de fornalhas, fogões, aquecedores de água ou outros aparelhos que tenham chamas piloto ou outras fontes de ignição, porque estas podem incendiar os vapores do combustível.



ADVERTÊNCIA

O combustível e os seus vapores são inflamáveis e explosivos. Incêndio ou explosão pode resultar em queimaduras ou morte.

O arranque do motor causa faíscas que podem resultar em incêndio ou explosão.

- Se existir uma fuga de gás natural ou de GPL na zona, não ligue o motor.
- Não utilize fluidos de arranque pressurizados, porque os vapores são inflamáveis.



ADVERTÊNCIA

PERIGO DE GÁS VENENOSO. O escape do motor contém monóxido de carbono, um gás venenoso que pode ser fatal em poucos minutos. Mesmo que não sinta o cheiro dos gases de escape, não deixa de estar exposto ao perigoso gás de monóxido de carbono. Se começar a sentir-se doente, com tonturas ou fraqueza ao usar este produto, dirija-se DE IMEDIATO para um local bem ventilado. Consulte um médico. Pode estar com envenenamento por monóxido de carbono.

- O gás de monóxido de carbono pode acumular-se em espaços ocupados. Para reduzir o risco de gás de monóxido de carbono, opere este produto APENAS ao ar livre e longe de janelas, portas e aberturas de ventilação.
- Instale alarmes de monóxido de carbono alimentados a bateria ou de ligação à corrente com bateria de emergência, em conformidade com as instruções do fabricante. Os detetores de fumos não detetam o monóxido de carbono gasoso.
- NÃO use este produto no interior de habitações, garagens, porões, vãos com teto baixo, depósitos ou outros espaços parcialmente fechados, mesmo que possam existir neles ventiladores ou portas e janelas que possam ser abertas para ventilação. Após a operação deste produto, o monóxido de carbono pode acumular-se rapidamente nestes espaços e permanecer durante horas.
- Coloque SEMPRE este produto num local a favor do vento e aponte o escape do motor afastando-o de espaços ocupados.



ADVERTÊNCIA

O cabo de arranque recuando em contragolpe (retrocesso rápido) puxará a mão e o braço em direção ao motor, mais rápido que poderá largar, o que poderá causar ossos partidos, fraturas, contusões ou entorses.

- Ao colocar o motor em funcionamento, puxe o cabo de arranque lentamente até sentir resistência, e depois puxe rapidamente para evitar o coice.
- Retire todo o equipamento exterior/cargas do motor antes de ligar o motor.
- Componentes de equipamento de ligação direta tais como, entre outros, lâminas, impulsores, polias, rodas dentadas, etc., têm de estar bem fixados.



ADVERTÊNCIA

As peças rotativas podem emaranhar mãos, pés, cabelos, roupas ou acessórios e resultar em amputação ou laceração traumática.

- Opere o equipamento com as proteções instaladas corretamente.
- Mantenha as mãos e os pés afastados de peças em rotação.
- Remova jóias e verifique se os cabelos longos estão afastados de todas as peças rotativas.
- Não use roupas folgadas ou itens que possam ficar presos.



ADVERTÊNCIA

Durante a operação, o motor e o silenciador ficam quentes. Se tocar num motor quente, poderão ocorrer queimaduras térmicas.

Resíduos combustíveis, tais como folhas, relva, mato, etc. podem incendiar-se.

- Antes de tocar no motor ou no silenciador, pare o motor e aguarde dois (2) minutos. Certifique-se de que o motor e o silenciador sejam seguros ao toque.
- Remova os detritos do silenciador e do motor.

O California Public Resource Code, Secção 4442, proíbe que se use ou opere o motor em qualquer terreno com cobertura florestal, cobertura de arbustos, ou cobertura de relva, ou perto desses lugares, a menos que o sistema de escape esteja equipado com um supressor de centelhas, conforme definido na Secção 4442, que seja mantido em

bom funcionamento. Outros estados ou jurisdições federais podem ter leis semelhantes; consulte a Regulamentação Federal 36 CFR Parte 261.52. Contacte o fabricante de equipamento original, revendedor ou concessionário, para obter um detentor de faíscas concebido para o sistema de escape instalado neste motor.



ADVERTÊNCIA

A faísca acidental do motor pode causar choque elétrico, incêndio ou explosão e resultar em emaranhamento, amputação traumática ou laceração.

Antes de fazer ajustes ou reparações:

- Desligue todos os fios da vela de ignição e mantenha-os afastados da vela de ignição.
- Desligue a bateria no terminal negativo (apenas motores com arranque elétrico).
- Utilize apenas as ferramentas corretas.

Quando verificar se há ignição:

- Use um dispositivo de teste de ignição aprovado.
- Não teste a existência de ignição com a vela de ignição removida.



ADVERTÊNCIA

Os vapores dos combustíveis são inflamáveis e explosivos. Incêndio ou explosão pode resultar em queimaduras ou morte.

No caso de haver cheiro a gás

- Não ligar o motor.
- Não ligue interruptores elétricos.
- Não usar um telefone nas proximidades.
- Evacuar a área.
- Contacte o fornecedor de gás ou os bombeiros.

Características e Controlos









Controlos do Motor

Compare as letras das legendas nas Figuras 1, 2, 3 e 4 para os controlos do motor na seguinte lista:

- A. Números de identificação do motor **Modelo - Tipo - Código**
- B. Vela de ignição
- C. Filtro de ar (sem depósito de combustível)
- D. Filtro de ar (com depósito de combustível)
- E. Vareta do óleo
- F. Enchimento de óleo
- G. Filtro de óleo (se instalado)
- H. Bujão de Drenagem de Óleo
- I. Sensor de Pressão de Óleo
- J. Proteção de Dedos
- K. Arrancador Elétrico
- L. Arrancador do retrocesso (se instalado)
- M. Carburador - Modelos de Carburador
- N. Silenciador
- O. Bomba do combustível
- P. Interruptor de arranque¹
- Q. Controlo da válvula reguladora¹
- R. Comando do estrangulador¹
- S. Filtro de combustível (se instalado)
- T. Depósito de Combustível
- U. Corte de combustível (se instalado)¹
- V. Interruptor de paragem (se instalado)¹
- W. Arrefecedor de óleo (se instalado)
- X. Módulo da bomba de combustível - EFI Modelos
- Y. Módulo de controlo elétrico - Modelos EFI
- Z. Injetor de combustível - Modelos EFI

¹ Alguns motores e equipamentos possuem controlos remotos. Consulte no manual do equipamento a localização e o funcionamento dos controlos à distância.

Símbolos de Controlo do Motor e Respetivos Significados

 Velocidade do motor - RÁPIDA	 Velocidade do motor - LENTA
 Velocidade do motor - PARAR	 LIGADO - DESLIGADO
 Arranque do Motor Estrangulador FECHADO	 Arranque do Motor Estrangulador ABERTO
 Tampão do combustível Válvula de corte de combustível - ABERTA	 Válvula de corte de combustível - FECHADA

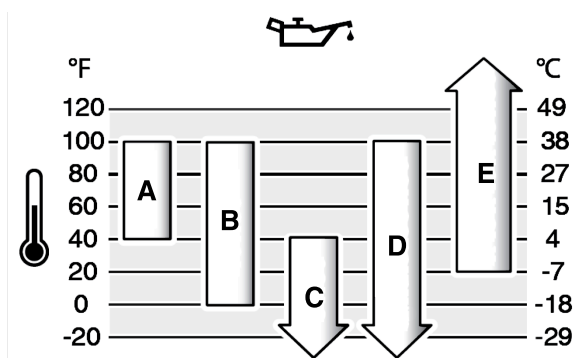
Funcionamento

Recomendações de Óleo

Capacidade do cárter de óleo: Consulte a secção **Especificações**.

Recomendamos o uso de óleos certificados com garantia da Briggs & Stratton® para um melhor desempenho. Outros óleos detergentes de elevada qualidade são permitidos se classificados para a manutenção de SF, SG, SH, SJ ou superior. Não use aditivos especiais.

Utilize o gráfico para seleccionar a melhor viscosidade para o intervalo de temperatura exterior esperado. Os motores na maioria dos equipamentos de energia ao ar livre funcionam bem com óleo sintético 5W-30. Para equipamentos utilizados em temperaturas quentes, o óleo sintético Vanguard® 15W-50 é o que confere a melhor proteção.



A	SAE 30 - Abaixo de 40 °F (4 °C) a utilização de SAE 30 irá resultar num arranque complicado.
B	10W-30 - Acima de 80 °F (27 °C) a utilização de 10W-30 pode causar o aumento do consumo de óleo. Verifique o nível do óleo com frequência.
C	5W-30
D	5W-30 sintético
E	Vanguard® sintético 15W-50

Verificar o nível do óleo

Antes de verificar ou adicionar óleo

- Certifique-se de que a unidade está nivelada.
- Limpe a área de enchimento do óleo de quaisquer resíduos.
- Consulte a secção **Especificações** para a capacidade do cárter de óleo.

AVISO

Este motor foi enviado da Briggs & Stratton sem óleo. Os fabricantes de equipamentos ou os revendedores podem ter adicionado óleo ao motor. Antes de ligar o motor pela primeira vez, verifique se o óleo está no nível correto. Adicione óleo conforme especificado pelas instruções neste manual. Se arrancar o motor sem óleo, este ficará danificado, sem reparação possível e não será coberto pela garantia.

1. Remova a vareta (A, Figura 5) e limpe com um pano.
2. Coloque e aperte a vareta (A, Figura 5).

3. Remova a vareta e verifique o nível do óleo. Certifique-se de que o nível do óleo está no topo do indicador de cheio (B, Figura 5) na vareta.
4. Se o nível do óleo estiver baixo, adicione óleo lentamente no depósito de óleo do motor (C, Figura 5). Não adicione demasiado óleo.
5. Espere um minuto e verifique o nível do óleo novamente. Verifique se o nível do óleo está correto.
6. Coloque e aperte a vareta (A, Figura 5).

Sistema de proteção de baixo nível de óleo (se instalado)

Um sensor com pouco óleo está instalado em alguns motores. Se o nível de óleo estiver baixo, o sensor pode ativar uma luz de aviso ou parar o motor. Pare o motor e execute os passos a seguir antes de arrancar o motor.

- Certifique-se de que a unidade está nivelada.
- Verifique o óleo. Consulte a secção **Verificar o nível do óleo**.
- Se o nível do óleo estiver baixo, acrescente a quantidade de óleo adequada. Arranque o motor e verifique se o dispositivo de aviso (se equipado) não acende.
- Se o nível de óleo não estiver baixo, não ligue o motor. Contacte um revendedor de serviços autorizado Briggs & Stratton para corrigir o problema do óleo.

Recomendações de Combustível

O combustível deve satisfazer estes requisitos:

- Gasolina limpa, fresca e sem chumbo.
- Um mínimo de 87 octanas/87 AKI (91 RON). Utilização em altitude elevada, veja em baixo.
- Gasolina com até 10% de etanol (gasool) é permitida.

AVISO

Não use gasolinas não aprovadas, tais como E15 e E85. Não misture óleo na gasolina nem altere o motor para operar com combustíveis alternativos. A utilização de combustíveis não aprovados pode causar danos nos componentes do motor, que não serão cobertos pela garantia.

Para proteger o sistema de combustível da formação de goma e corrosão, misture um estabilizador de combustível sem álcool e um tratamento de etanol no combustível. Consulte a secção **Armazenamento**. O combustível não é todo o mesmo. Se ocorrerem problemas de arranque ou desempenho, mude de fornecedores de combustível ou de marcas. Este motor está certificado para funcionar a gasolina. O sistema de controlo de emissões para motores carburados é EM (Modificações do Motor). Os sistemas de controlo de emissões para motores com injeção eletrónica de combustível são ECM (Módulo de Controlo de Motor), MFI (Injeção de Combustível Multi Portas), TBI (Injeção de Combustível do Corpo do Acelerador) e, se equipado, um O2S (Sensor de Oxigénio).

Elevada Altitude

A altitudes superiores a 5000 pés (1524 metros), é aceitável uma gasolina com o mínimo de 85 octanas/85 AKI (89 RON).

Para motores carburados, o ajuste de altitude elevada é necessário para manter o desempenho. O funcionamento sem este ajuste irá causar um decréscimo do desempenho, aumento do consumo de combustível e aumento de emissões. Contacte um Concessionário de Assistência Autorizado pela Briggs & Stratton para informações sobre o ajuste a altitude elevada. A operação do motor a altitudes abaixo dos 2500 pés (762 metros) com o ajuste de altitude elevada não é recomendada.

Para motores de Injeção Eletrónica de Combustível (EFI), não é necessário qualquer ajuste de altitude elevada.

Adicionar combustível



ADVERTÊNCIA

O combustível e os seus vapores são inflamáveis e explosivos. Incêndio ou explosão pode resultar em queimaduras ou morte.

Quando adiciona combustível

- Pare o motor. Antes de remover a tampa do combustível, aguarde no mínimo dois (2) minutos para garantir que o motor esteja frio.
 - Encha o depósito de combustível ao ar livre ou numa área com bom fluxo de ar.
 - Não coloque muito combustível no depósito. Para permitir a expansão do combustível, não deixe o nível do combustível ultrapassar a parte inferior do bocal do depósito.
 - Mantenha o combustível afastado de faíscas, chamas abertas, chamas piloto, calor e outras fontes de ignição.
 - Examine frequentemente as linhas de combustível, o depósito de combustível, a tampa do combustível e as conexões quanto a rachaduras ou vazamentos. Substitua as peças danificadas.
 - Se derramar combustível, aguarde até que este evapore antes de ligar o motor.
1. Limpe a área do tampão do combustível, removendo sujidade e detritos. Remova o tampão do combustível.

- Encha o depósito de combustível (A, Figura 6) com gasolina. Com a expansão do combustível, não deixe o nível do combustível ultrapassar a parte inferior do bocal do depósito de combustível (B).
- Instale o tampão do combustível.

Arrancar o Motor



ADVERTÊNCIA

A faísca acidental do motor pode causar choque elétrico, incêndio ou explosão e resultar em emaranhamento, amputação traumática ou laceração.

Antes de fazer ajustes ou reparações:

- Desligue todos os fios da vela de ignição e mantenha-os afastados da vela de ignição.
- Desligue a bateria no terminal negativo (apenas motores com arranque elétrico).
- Utilize apenas as ferramentas corretas.

Quando verificar se há ignição:

- Use um dispositivo de teste de ignição aprovado.
- Não teste a existência de ignição com a vela de ignição removida.



ADVERTÊNCIA

O cabo de arranque recuando em contragolpe (retrocesso rápido) puxará a mão e o braço em direção ao motor, mais rápido que poderá largar, o que poderá causar ossos partidos, fraturas, contusões ou entorses.

- Ao colocar o motor em funcionamento, puxe o cabo de arranque lentamente até sentir resistência, e depois puxe rapidamente para evitar o coice.
- Retire todo o equipamento exterior/cargas do motor antes de ligar o motor.
- Componentes de equipamento de ligação direta tais como, entre outros, lâminas, impulsores, polias, rodas dentadas, etc., têm de estar bem fixados.



ADVERTÊNCIA

PERIGO DE GÁS VENENOSO. O escape do motor contém monóxido de carbono, um gás venenoso que pode ser fatal em poucos minutos. Mesmo que não sinta o cheiro dos gases de escape, não deixa de estar exposto ao perigoso gás de monóxido de carbono. Se começar a sentir-se doente, com tonturas ou fraqueza ao usar este produto, dirija-se DE Imediato para um local bem ventilado.

Consulte um médico. Pode estar com envenenamento por monóxido de carbono.

- O gás de monóxido de carbono pode acumular-se em espaços ocupados. Para reduzir o risco de gás de monóxido de carbono, opere este produto APENAS ao ar livre e longe de janelas, portas e aberturas de ventilação.
- Instale alarmes de monóxido de carbono alimentados a bateria ou de ligação à corrente com bateria de emergência, em conformidade com as instruções do fabricante. Os detetores de fumos não detetam o monóxido de carbono gasoso.
- NÃO use este produto no interior de habitações, garagens, porões, vãos com teto baixo, depósitos ou outros espaços parcialmente fechados, mesmo que possam existir neles ventiladores ou portas e janelas que possam ser abertas para ventilação. Após a operação deste produto, o monóxido de carbono pode acumular-se rapidamente nestes espaços e permanecer durante horas.
- Coloque SEMPRE este produto num local a favor do vento e aponte o escape do motor afastando-o de espaços ocupados.

AVISO

Este motor foi enviado da Briggs & Stratton sem óleo. Os fabricantes de equipamentos ou os revendedores podem ter adicionado óleo ao motor. Antes de ligar o motor pela primeira vez, verifique se o óleo está no nível correto. Adicione óleo conforme especificado pelas instruções neste manual. Se arrancar o motor sem óleo, este ficará danificado, sem reparação possível e não será coberto pela garantia.

NOTA: O seu equipamento pode ter controlos remotos. Consulte no manual do equipamento a localização e o funcionamento dos controlos remotos.

Tipos de sistemas de arranque

Antes de arrancar o motor, deverá determinar o tipo de sistema de arranque do seu motor. O seu motor possui um destes tipos de sistemas.

- Sistema de Injeção Eletrónica de Combustível (EFI):** Um sistema EFI não apresenta um estrangulador ou escorvador.
- Sistema de Gestão Eletrónica de Combustível:** Um sistema de Gestão Eletrónica de Combustível possui uma Unidade de Controlo Eletrónico que monitoriza as condições do motor e da temperatura. Não apresenta um afogador manual, nem escorva
- Sistema com Afogador:** Este tipo de sistema possui um estrangulamento para ser utilizado em temperaturas baixas. Alguns modelos apresentam um controlo de estrangulador separado, enquanto outros combinam controlo estrangulador e válvula reguladora. Este tipo não possui escorva.

Sistema de Injeção Eletrónica de Combustível (EFI)

- Verifique o óleo do motor. Consulte a secção **Verificar nível de óleo**.
- Assegure-se que os controlos de direção do equipamento, se existentes, estejam desengatados.
- Rode a válvula de corte de combustível (A, Figura 7), se instalada, para a posição ABERTA.
- Carregue no interruptor de paragem (F, Figuras 7 e 8), se instalado, para a posição de LIGADO.
- Desloque o controlo da válvula reguladora (B, Figura 8), se instalado, para a posição RÁPIDO. Opere o motor na posição RÁPIDO.
- Arranque manual, quando equipado com interruptor de chave:** Rode o interruptor de chave (D, Figuras 7 e 8) para a posição de LIGADO.
- Arranque manual, se instalado:** Segure firmemente o punho do cabo de arranque (E, Figuras 7 e 8). Puxe o punho do cabo de arranque lentamente até sentir resistência, depois puxe rapidamente.



ADVERTÊNCIA

A retração rápida do cabo de arranque (coice) irá puxar as mãos e os braços na direção do motor mais rapidamente do que consegue evitar. Isso pode quebrar ossos, provocar fraturas, hematomas ou entorses. Ao colocar o motor em funcionamento, puxe o cabo de arranque lentamente até sentir resistência, e depois puxe rapidamente para evitar o coice.

- Arranque elétrico, se instalado:** Rode o arranque elétrico (D, Figuras 7 e 8) para a posição LIGADO ou ARRANQUE.

AVISO Para aumentar a vida do motor de arranque, use ciclos de arranque curtos (máximo de cinco segundos). Aguarde um minuto entre ciclos de arranque.

Se o motor não funcionar após 3 ou 4 tentativas, contacte o seu concessionário local ou vá ao vanguardpower.com ou ligue 1-800-999-9333.

Sistema de Gestão Eletrónica de Combustível

- Verifique o óleo do motor. Consulte a secção **Verificar nível de óleo**.
- Assegure-se que os controlos de direção do equipamento, se existentes, estejam desengatados.
- Rode a válvula de corte de combustível (A, Figura 7), se instalada, para a posição ABERTA.
- Carregue no interruptor de paragem (F, Figuras 7 e 8), se instalado, para a posição de LIGADO.
- Desloque o controlo da válvula reguladora (B, Figura 8), se instalado, para a posição RÁPIDO. Opere o motor na posição RÁPIDO.
- Arranque manual, quando equipado com interruptor de chave:** Rode o interruptor de chave (D, Figuras 7 e 8) para a posição de LIGADO.
- Arranque manual, se instalado:** Segure firmemente o punho do cabo de arranque (E, Figuras 7 e 8). Puxe o punho do cabo de arranque lentamente até sentir resistência, depois puxe rapidamente.



ADVERTÊNCIA

A retração rápida do cabo de arranque (coice) irá puxar as mãos e os braços na direção do motor mais rapidamente do que consegue evitar. Isso pode quebrar ossos, provocar fraturas, hematomas ou entorses. Ao colocar o motor em funcionamento, puxe o cabo de arranque lentamente até sentir resistência, e depois puxe rapidamente para evitar o coice.

- Arranque elétrico, se instalado:** Rode o arranque elétrico (D, Figuras 7 e 8) para a posição LIGADO ou ARRANQUE.

AVISO Para aumentar a vida do motor de arranque, use ciclos de arranque curtos (máximo de cinco segundos). Aguarde um minuto entre ciclos de arranque.

Se o motor não funcionar após 3 ou 4 tentativas, contacte o seu concessionário local ou vá ao vanguardpower.com ou ligue 1-800-999-9333.

Sistema com Afogador

- Verifique o óleo do motor. Consulte a secção **Verificar e adicionar óleo**.
- Assegure-se que os controlos de direção do equipamento, se existentes, estejam desengatados.
- Rode a válvula de corte de combustível (A, Figura 7), se instalada, para a posição ABERTA.
- Carregue no interruptor de paragem (F, Figuras 7 e 8), se instalado, para a posição de LIGADO.
- Desloque o controlo da válvula reguladora (B, Figuras 7), se instalado, para a posição de RÁPIDO. Opere o motor na posição RÁPIDO.

6. Desloque o controlo do estrangulador (C, Figuras 9, 10), para a posição de FECHADO.

NOTA: Normalmente não é necessário usar o estrangulador quando se arranca um motor já quente.

7. **Arranque manual, quando equipado com interruptor de chave:** Rode o interruptor de chave (D, Figuras 7 e 8) para a posição de LIGADO.
8. **Arranque manual, se instalado:** Segure firmemente o punho do cabo de arranque (E, Figuras 7 e 8). Puxe o punho do cabo de arranque (E) lentamente até sentir resistência, depois puxe rapidamente.



ADVERTÊNCIA

A retração rápida do cabo de arranque (coice) irá puxar as mãos e os braços na direcção do motor mais rapidamente do que consegue evitar. Isso pode quebrar ossos, provocar fraturas, hematomas ou entorses. Ao colocar o motor em funcionamento, puxe o cabo de arranque lentamente até sentir resistência, e depois puxe rapidamente para evitar o coice.

9. **Arranque elétrico, se instalado:** Rode o arranque elétrico (D, Figuras 7, 8) para a posição de LIGADO ou ARRANQUE.

AVISO

Para aumentar a vida do motor de arranque, use ciclos de arranque curtos (máximo de cinco segundos). Aguarde um minuto entre ciclos de arranque.

10. À medida que o motor aquece, desloque o controlo do estrangulador (C, Figuras 9 e 10) para a posição ABERTO.

NOTA: Se o motor não funcionar após 2-3 tentativas, contacte o seu concessionário local ou vá ao vanguardpower.com ou ligue para 1-800-999-9333.

Pare o motor



ADVERTÊNCIA

O combustível e os seus vapores são inflamáveis e explosivos. Incêndio ou explosão pode resultar em queimaduras ou morte.

- Não estrangule o carburador (se instalado), para parar o motor.

1. **Interruptor de parada, se instalado:** Desloque o interruptor de paragem (F, Figura 11) para a posição de DESLIGADO.
2. **Interruptor de chave, se instalado:** Com o controlo da válvula reguladora, se instalado, na posição de LENTO, rode o interruptor de chave (D, Figura 11) para a posição de DESLIGADO. Retire a chave e guarde-a num local seguro, fora do alcance de crianças.
3. Depois do motor parar, rode a válvula de corte de combustível (A, Figura 11), se instalada, para a posição FECHADA.

Manutenção

Informação de manutenção



ADVERTÊNCIA

O combustível e os seus vapores são inflamáveis e explosivos. Incêndio ou explosão pode resultar em queimaduras ou morte.

Durante a manutenção, se for necessário inclinar a unidade, verifique se o depósito de combustível, se montado no motor, está vazio e se o lado da vela de ignição está levantado. Se o depósito de combustível não estiver vazio, pode ocorrer vazamento e resultar em incêndio ou explosão. Se o motor for inclinado numa direcção diferente, não será iniciado facilmente devido à contaminação por óleo ou combustível do filtro de ar ou da vela de ignição.



ADVERTÊNCIA

A faísca acidental do motor pode causar choque elétrico, incêndio ou explosão e resultar em emaranhamento, amputação traumática ou laceração.

Antes de fazer ajustes ou reparações:

- Desligue todos os fios da vela de ignição e mantenha-os afastados da vela de ignição.
- Desligue a bateria no terminal negativo (apenas motores com arranque elétrico).
- Utilize apenas as ferramentas corretas.

Quando verificar se há ignição:

- Use um dispositivo de teste de ignição aprovado.
- Não teste a existência de ignição com a vela de ignição removida.



ADVERTÊNCIA

As peças de reposição devem ser do mesmo modelo e ser instaladas na mesma posição que as peças originais. Outras peças podem resultar em danos ou ferimentos.

AVISO

Todos os componentes usados na construção deste produto devem permanecer montados para um funcionamento correto.

Visite um revendedor de serviços autorizado Briggs & Stratton para qualquer intervenção de manutenção e assistência do motor e peças do motor.

Manutenção do Controlo de Emissões

Para manutenção, substituição ou reparação de dispositivos e sistemas de controlo de emissões, entre em contacto com um estabelecimento ou serviço de reparação de motores qualificado. Todavia, para obter a manutenção de controlo de emissões "isenta de custos", o trabalho tem de ser executado por um revendedor autorizado. Ver as Declarações de Controlo de Emissões.

Plano de Manutenção

Intervalos de 8 horas ou diariamente
<ul style="list-style-type: none">• Verifique o nível do óleo do motor.• Limpe a área à volta do silenciador e dos controlos.
Intervalos de 100 horas ou anualmente
<ul style="list-style-type: none">• Substitua as velas de ignição.• Mude o óleo do motor.• Substitua o filtro de óleo (se instalado).• Faça a manutenção do filtro de ar ¹.• Limpe o pré-purificador (se instalado) ¹.• Faça a manutenção do sistema de escape.
Intervalos de 250 horas ou anualmente
<ul style="list-style-type: none">• Verifique a folga das válvulas. Ajuste se necessário.
Intervalos de 400 horas ou anualmente
<ul style="list-style-type: none">• Substitua o filtro do ar.• Substitua o filtro do combustível.• Faça a manutenção do sistema de arrefecimento de ar ¹.• Limpe as aletas do arrefecedor de óleo ¹.

¹ Limpe com mais frequência em ambientes empoeirados ou quando muitas partículas estiverem no ar.

Sistema de Injeção Eletrónica de Combustível (EFI)

O Sistema EFI monitoriza a temperatura do motor, a rotação do motor e a tensão da bateria para o arranque e aquecimento do motor. Este sistema não requer ajustes. Se ocorrer algum problema de arranque ou de funcionamento, contacte um Revendedor de Serviços Autorizado Briggs & Stratton.

AVISO Certifique-se de seguir os passos a seguir ou poderão ocorrer danos ao sistema EFI.

- NÃO arranque o motor se os cabos da bateria estiverem soltos.
- Rode a chave para a posição DESLIGADO antes de desligar, retirar e/ou instalar a bateria.
- NÃO use um carregador de bateria para arrancar o motor.
- NÃO desconecte os cabos da bateria durante o funcionamento do motor.
- Quando ligar os cabos da bateria, ligue primeiro o cabo positivo (+) e depois o cabo negativo (-) à bateria.
- Durante o carregamento da bateria, rode o interruptor de ignição para a posição DESLIGADO e desligue o cabo negativo (-) da bateria.
- NÃO pulverize água diretamente sobre o Módulo de Comando Eletrónico.

Sistema de Gestão Eletrónica de Combustível

O sistema de gestão eletrónica do combustível monitoriza a temperatura do motor, a rotação do motor e a tensão da bateria para regular o estrangulador durante o arranque e o aquecimento do motor. Este sistema não requer ajustes. Se ocorrer algum problema de arranque ou de funcionamento, fale com um Revendedor de Serviços Autorizado Briggs & Stratton.

AVISO Siga estas regras, caso contrário o Sistema de Gestão Eletrónica de Combustível pode ficar danificado.

- NÃO arranque o motor se os cabos da bateria estiverem soltos.

- Antes de ligar os cabos de aceleração ou desligar ou voltar a ligar os cabos da bateria, rode o interruptor de ignição para a posição DESLIGADO. Ao carregar a bateria, rode o interruptor de ignição para a posição DESLIGADO.
- Quando desligar os cabos da bateria, desligue o cabo negativo (-) e depois desligue o cabo positivo (+) da bateria. Quando ligar os cabos da bateria à bateria, ligue primeiro o cabo positivo (+) e depois o cabo negativo (-) à bateria.
- NÃO use um carregador de bateria para arrancar o motor.
- NÃO desconecte os cabos da bateria durante o funcionamento do motor.
- NÃO pulverize água diretamente sobre a Unidade de Controlo Eletrónico.

Carburador e Velocidade do Motor

Não faça ajustes no carburador, mola de controlo, ligações ou outras peças para ajustar a velocidade do motor. Se forem necessários ajustes, contacte um revendedor de serviços autorizado Briggs & Stratton para o serviço.

AVISO

O fabricante do equipamento especifica a velocidade máxima do motor uma vez montado no equipamento. Não exceda esta velocidade. Se tiver dúvidas quanto à velocidade máxima do equipamento, ou sobre a regulação de fábrica da velocidade do motor, deve contactar um Revendedor de serviços autorizado Briggs & Stratton para esclarecimento. Para que o equipamento funcione bem e em segurança, a velocidade do motor só deve ser ajustada por um técnico de assistência habilitado.

Realizar a Assistência da Vela de Ignição

Verifique a folga da vela (A, Figura 12) com um calibrador (B). Se necessário, ajuste a folga da vela de ignição. Coloque e aperte a vela de ignição com o torque correto. Para obter as especificações relativas à folga e ao torque, consulte a secção **Especificações**.

Manutenção do sistema de escape



ADVERTÊNCIA Durante a operação, o motor e o silenciador ficam quentes. Se tocar num motor quente, poderão ocorrer queimaduras térmicas.

Resíduos combustíveis, tais como folhas, relva, mato, etc. podem incendiar-se.

- Antes de tocar no motor ou no silenciador, pare o motor e aguarde dois (2) minutos. Certifique-se de que o motor e o silenciador sejam seguros ao toque.
- Remova os detritos do silenciador e do motor.

O California Public Resource Code, Secção 4442, proíbe que se use ou opere o motor em qualquer terreno com cobertura florestal, cobertura de arbustos, ou cobertura de relva, ou perto desses lugares, a menos que o sistema de escape esteja equipado com um supressor de centelhas, conforme definido na Secção 4442, que seja mantido em bom funcionamento. Outros estados ou jurisdições federais podem ter leis semelhantes; consulte a Regulamentação Federal 36 CFR Parte 261.52. Contacte o fabricante de equipamento original, revendedor ou concessionário, para obter um detentor de faiscas concebido para o sistema de escape instalado neste motor.

Remova os resíduos da área do silenciador e da área do cilindro. Examine o silenciador em busca de fendas, corrosão ou outros danos. Remova o para-chispas, se instalado, e verifique se apresenta danos ou obstruções de carbono. Se detetar danos, monte peças de substituição antes de operar o equipamento.



ADVERTÊNCIA As peças de reposição devem ser do mesmo modelo e ser instaladas na mesma posição que as peças originais. Outras peças podem resultar em danos ou ferimentos.

Trocar o óleo do motor



ADVERTÊNCIA O combustível e os seus vapores são inflamáveis e explosivos. Incêndio ou explosão pode resultar em queimaduras ou morte.

Durante a operação, o motor e o silenciador ficam quentes. Se tocar num motor quente, poderão ocorrer queimaduras térmicas.

- Caso o óleo seja drenado pelo tubo de enchimento superior do depósito de combustível, este deve estar vazio. Se não estiver vazio, pode ocorrer vazamento de combustível e causar incêndio ou explosão.
- Antes de tocar no motor ou no silenciador, pare o motor e aguarde dois (2) minutos. Certifique-se de que o motor e o silenciador sejam seguros ao toque.

O óleo usado é um resíduo perigoso, que deve ser eliminado de forma adequada. Não deve ser jogado fora com o lixo normal. Contacte as suas autoridades locais, centro de assistência ou concessionário a existência de instalações de eliminação ou de reciclagem seguras.

Remover Óleo

1. Com o motor DESLIGADO mas ainda quente, desligue o(s) fio(s) da(s) vela(s) de ignição (D, Figura 13) e mantenha-o(s) afastado(s) da(s) vela(s) de ignição (E).
2. Remova a vareta do óleo (A, Figuras 14, 15).
3. Remova o bujão de drenagem de óleo (F, Figuras 16, 17). Drene o óleo para um recipiente aprovado.
4. Coloque e aperte o bujão de drenagem de óleo (F, Figuras 16, 17).

Troque o filtro de óleo, se instalado

1. Drene o óleo do motor. Consulte a secção **Remover o óleo**.
2. Remova o filtro de óleo (G, Figuras 18, 19) e descarte corretamente.
3. Antes de instalar o novo filtro de óleo, lubrifique ligeiramente a junta do filtro de óleo com óleo limpo.
4. Instale o filtro de óleo manualmente até que a junta toque no adaptador do filtro de óleo depois aperte o filtro de óleo 1/2 a 3/4 de volta.
5. Adicione óleo. Consulte a secção **Adicionar óleo**.
6. Arranque e opere o motor. À medida que o motor aquece, verifique a existência de fugas de óleo.
7. Pare o motor. Certifique-se de que o nível do óleo está no topo do indicador de cheio na vareta do óleo. Consulte a secção **Adicionar óleo**.

Adicionar Óleo

- Certifique-se de que a unidade está nivelada.
- Limpe a área de enchimento do óleo de quaisquer resíduos.
- Consulte a secção **Especificações** para a capacidade do cárter de óleo.

1. Remova a vareta do óleo (A, Figuras 20, 21). Remova o óleo da vareta com um pano limpo.
2. Adicione óleo lentamente pelo tubo de enchimento de óleo (C, Figuras 20, 21). **Não encher demais.** Espere um minuto e verifique o nível do óleo.
3. Coloque e aperte a vareta do óleo (A, Figuras 20, 21).
4. Remova a vareta e verifique o nível do óleo. O nível do óleo correto é no topo do indicador de cheio (B, Figuras 20, 21) da vareta do óleo.
5. Coloque e aperte a vareta do óleo (A, Figuras 20, 21).
6. Ligue o(s) fio(s) da vela de ignição (D, Figura 20) à(s) vela(s) de ignição.

Realizar a Assistência do Filtro de Ar



ADVERTÊNCIA Os vapores dos combustíveis são inflamáveis e explosivos. Incêndio ou explosão pode resultar em queimaduras ou morte.

- Nunca inicie o motor, nem o opere com o conjunto do purificador do ar (se instalado) ou o filtro de ar (se instalado) removidos.

AVISO

Não use ar pressurizado, nem solventes para limpar o filtro. O ar pressurizado pode danificar o filtro e os solventes podem dissolver o filtro.

No **Plano de manutenção**, consulte os requisitos de assistência.

Alguns modelos têm um pré-purificador opcional, que pode ser limpo e reutilizado. Compare as ilustrações no presente manual com o tipo instalado no seu motor.

1. **Modelos sem um depósito de combustível:** Abra o(s) fixador(es) (A, Figura 22) e retire a tampa (B).
2. **Modelos com um depósito de combustível:** Remova o(s) fixador(es) (C, Figura 23) e a tampa (D).
3. Remova a porca (D, Figuras 22 e 23) e o retentor (E).
4. Remova o filtro de ar (F, Figuras 22 e 23).
5. Remova o pré-purificador (G, Figuras 22 e 23), se instalado, do filtro de ar (F).
6. Para soltar os resíduos, bata ligeiramente com o filtro (F, Figuras 22 e 23) numa superfície dura. Se o filtro de ar estiver sujo, substitua-o por um filtro novo.
7. Lave o pré-purificador (G, Figuras 22 e 23), se instalado, com detergente líquido e água. Deixe o pré-purificador secar completamente ao ar. **NÃO** lubrifique o pré-purificador.
8. Instale o pré-purificador seco (G, Figuras 22 e 23), se instalado, no filtro de ar (F).
9. Instale o filtro de ar (F, Figuras 22 e 23) e fixe com o retentor (E) e a porca (D).
10. Coloque a cobertura (B, Figuras 22 e 23).

Manutenção do sistema de combustível



ADVERTÊNCIA

O combustível e os seus vapores são inflamáveis e explosivos. Incêndio ou explosão pode resultar em queimaduras ou morte.

- Mantenha o combustível afastado de faíscas, chamas abertas, chamas piloto, calor e outras fontes de ignição.
- Examine frequentemente as linhas de combustível, o depósito de combustível, a tampa do combustível e as conexões quanto a rachaduras ou vazamentos. Substitua as peças danificadas.
- Se derramar combustível, aguarde até que este evapore antes de ligar o motor.

Filtro de combustível, se instalado

1. Antes de substituir o filtro de combustível (A, Figura 24), drene o depósito de combustível ou feche a válvula de corte de combustível. Se o depósito de combustível não for drenado, o combustível poderá vazar e causar incêndio ou explosão.
2. Aperte as patilhas (B, Figura 24) nos grampos (C) com um alicate. Afaste os grampos do filtro de combustível (A).
3. Torça e puxe os tubos de combustível (D, Figura 24) para fora do filtro de combustível.
4. Examine os tubos de combustível (D, Figura 24) quanto a fissuras ou fugas. Se for necessário, substitua as linhas de combustível.
5. Substitua o filtro de combustível (A, Figura 24).
6. Fixe as linhas de combustível (D, Figura 24) com os grampos (C).

Manutenção do sistema de arrefecimento



ADVERTÊNCIA

Durante a operação, o motor e o silenciador ficam quentes. Se tocar num motor quente, poderão ocorrer queimaduras térmicas.

Resíduos combustíveis, tais como folhas, relva, mato, etc. podem incendiar-se.

- Antes de tocar no motor ou no silenciador, pare o motor e aguarde dois (2) minutos. Certifique-se de que o motor e o silenciador sejam seguros ao toque.
- Remova os detritos do silenciador e do motor.

AVISO

Não use água para limpar o motor. A água pode contaminar o sistema de combustível. Limpe o motor com uma escova ou um pano seco.

Este motor é arrefecido a ar. O fluxo de ar pode sofrer restrições devido a sujidade ou resíduos, provocando o sobreaquecimento do motor, um fraco desempenho do mesmo e menor durabilidade.

1. Use uma escova para remover os resíduos da grelha de admissão de ar.
2. Mantenha a limpeza de ligações, molas e controlos.
3. Mantenha a área à volta e por detrás do silenciador, se instalado, livre de resíduos combustíveis.
4. Verifique se as aletas do radiador de óleo, se equipadas, estão limpas.

Após um certo período de tempo, as palhetas de arrefecimento do cilindro podem acumular detritos, provocando o sobreaquecimento do motor. Este material indesejado não pode ser removido sem desmontar parcialmente o motor. Solicite a um Revendedor de serviços autorizado Briggs & Stratton que inspecione e limpe o sistema de arrefecimento de ar conforme recomendado no **Plano de Manutenção**.

Armazenamento Sistema de combustível

Consulte a Figura: 25.



ADVERTÊNCIA

O combustível e os seus vapores são inflamáveis e explosivos. Incêndio ou explosão pode resultar em queimaduras ou morte.

Armazenamento de combustível

- Armazene-os longe de fornalhas, fogões, aquecedores de água ou outros aparelhos que tenham chamas piloto ou outras fontes de ignição, porque estas podem incendiar os vapores do combustível.

Armazene o motor na posição horizontal (posição de funcionamento normal). Encha o depósito de combustível (A, Figura 25) com combustível. Para permitir a expansão do combustível, não encha acima do bocal do depósito de combustível (B).

O combustível pode ficar velho se for mantido num recipiente de armazenamento durante mais de 30 dias. Recomenda-se o uso de um estabilizador de combustível sem

álcool e tratamento com etanol no recipiente de armazenamento de combustível para prevenir a degradação do combustível e para manter o combustível fresco.

Ao encher o recipiente de combustível com combustível, adicione um estabilizador de combustível sem álcool, conforme especificado pelas instruções do fabricante. Se a gasolina do motor não tiver sido tratada com um estabilizador de combustível, deve ser drenada para um recipiente aprovado. Opere o motor até que esteja sem combustível.

Óleo do Motor

Enquanto o motor está quente, troque o óleo do motor. Consulte a secção **Mudar o óleo do motor**.

Resolução de Problemas

Assistência

Para obter assistência, contacte o seu revendedor local ou vá a **BRIGGSandSTRATTON.COM** ou ligue para **1-800-444-7774** (nos EUA).

Especificações

Especificações e peças de substituição

MODELOS: 290000, 300000	
Cilindrada	29.23 ci (479 cc)
Cilindro	2.677 pol (68 mm)
Curso	2.598 pol (66 mm)
Capacidade do Cárter de Óleo	46 - 48 oz (1,36 - 1,42 L)
Folga da Vela de Ignição	.030 pol (.76 mm)
Binário da Vela de Ignição	180 lb-pol. (20 Nm)
Folga de Ar da Armação - Modelos com Carburador	.008 - .012 pol (.20 - .30 mm)
Folga da Válvula de Admissão	.004 - .006 pol (.10 - .15 mm)
Folga da Válvula de Escape	.004 - .006 pol (.10 - .15 mm)

MODELO: 350000	
Cilindrada	34.78 ci (570 cc)
Cilindro	2.835 pol (72 mm)
Curso	2.756 pol (70 mm)
Capacidade do Cárter de Óleo	46 - 48 oz (1,36 - 1,42 L)
Folga da Vela de Ignição	.030 pol (.76 mm)
Binário da Vela de Ignição	180 lb-pol. (20 Nm)
Folga de Ar da Armação - Modelos com Carburador	.008 - .012 pol (.20 - .30 mm)
Folga da Válvula de Admissão	.004 - .006 pol (.10 - .15 mm)
Folga da Válvula de Escape	.004 - .006 pol (.10 - .15 mm)

MODELO: 380000	
Cilindrada	38.26 ci (627 cc)
Cilindro	2.972 pol (75,5 mm)
Curso	2.756 pol (70 mm)
Capacidade do Cárter de Óleo	46 - 48 oz (1,36 - 1,42 L)
Folga da Vela de Ignição	.030 pol (.76 mm)
Binário da Vela de Ignição	180 lb-pol. (20 Nm)
Folga de Ar da Armação - Modelos com Carburador	.008 - .012 pol (.20 - .30 mm)
Folga da Válvula de Admissão	.004 - .006 pol (.10 - .15 mm)
Folga da Válvula de Escape	.004 - .006 pol (.10 - .15 mm)

A potência do motor diminuirá 3,5% a cada 300 metros (1000 pés) acima do nível do mar e 1% a cada 5,6 °C (10 °F) acima dos 25 °C (77 °F). O motor funcionará de forma satisfatória a um ângulo de até 15°. Consulte no Manual do Operador do equipamento os limites autorizados para um funcionamento seguro em declives.

MODELOS: 290000, 300000, 350000, 380000	
Peças de Reposição	Número da peça
Filtro de ar (com depósito de combustível, Figura 23)	383857
Filtro de ar (exceto Modelo 380000, Figura 22)	394018
Filtro de ar (Modelo 380000, 22)	692519

MODELOS: 290000, 300000, 350000, 380000	
Filtro de ar, Pré-purificador (com depósito de combustível, Figura 23)	271794
Filtro de ar, Pré-purificador (exceto Modelo 380000, Figura 22)	272490
Filtro de ar, Pré-purificador (Modelo 380000, Figura 22)	692520
Óleo - SAE 30	100028
Filtro de Óleo	842921
Filtro de combustível (com depósito de combustível)	808116
Filtro de combustível (com bomba de combustível)	845125
Filtro de combustível (sem bomba de combustível)	298090
Vela de Ignição com Resistência	491055S
Vela de Ignição de Platina de Longa Duração	696202, 5066K
Chave de Velas de Ignição	19576S
Verificador de Velas	84003327

Recomendamos que visite um Revendedor autorizado Briggs & Stratton para qualquer intervenção de manutenção e assistência do motor e peças do motor.

Classificações da Potência

A classificação de potência total para modelos individuais de motor a gasolina está de acordo com o código J1940 da SAE (Sociedade de Engenheiros Automóveis) Alimentação de motores de pequeno porte e procedimentos de classificação de torque e é classificada de acordo com a SAE J1995. Os valores de torque são derivados a 2600 rpm para os motores com "rpm" indicado na etiqueta e a 3060 rpm para todos os outros; os valores da potência em cavalos são derivados a 3600 rpm. As curvas de potência bruta podem ser vistas em www.BRIGGSandSTRATTON.COM. Os valores de potência útil são assumidos com a exaustão e purificador do ar instalados, enquanto os valores de potência bruta são recolhidos sem esses acessórios. A potência total do motor será maior que a potência útil do motor e é influenciada por, entre outras coisas, condições ambientais de funcionamento e a variabilidade de motor para motor. Devido à vasta gama de produtos em que os motores são utilizados, o motor a gasolina não irá desenvolver a potência total classificada quando utilizado num determinado equipamento eléctrico. Esta diferença deve-se a uma variedade de factores incluindo, mas não se limitando a, variedade de componentes de motor (purificador do ar, exaustão, carregador, arrefecimento, carburador, bomba do combustível, etc.), limitações de aplicação, condições ambientais de funcionamento (temperatura, humidade, altitude) e a variabilidade de motor para motor. Devido às limitações de fabrico e de capacidade, a Briggs & Stratton pode substituir um motor de potência superior por este motor.

Garantia

Garantia do Motor Briggs & Stratton®

Em vigor em agosto de 2022

Garantia limitada

A Briggs & Stratton garante que, durante o período de garantia especificado abaixo, irá reparar ou substituir gratuitamente qualquer peça que esteja com defeito de material ou de fabricação, ou ambos, com ou por uma peça nova, recondicionada ou refeita, a critério exclusivo da Briggs & Stratton. Os encargos com o transporte do produto submetido para reparação ou substituição, ao abrigo desta garantia, devem ser suportados pelo comprador. Esta garantia é efetiva e está sujeita aos períodos de tempo e às condições abaixo referidas. Para aceder ao serviço de garantia, contacte o revendedor de serviços autorizado mais próximo indicado no nosso mapa de localizador de revendedor em BRIGGSandSTRATTON.COM. O comprador deve contactar o revendedor de serviços autorizado, e então disponibilizar o produto para o revendedor de serviços autorizado fazer a inspeção e testes.

Não existe qualquer outra garantia expressa. As garantias implicadas, incluindo as referentes à comercialização e manutenção com um objetivo em particular, estão limitadas a um ano a contar do momento da aquisição, ou ao que for permitido por lei. Todas as outras garantias implícitas estão excluídas. Exclui-se a responsabilidade por danos incidentais ou consequenciais de acordo com o permitido por lei. Alguns estados ou países não permitem limitações quanto à duração de uma garantia implícita e alguns estados e países não permitem a exclusão ou limitação de danos incidentais ou consequenciais, por isso a limitação e exclusão acima podem não se aplicar ao seu caso. Esta garantia concede-lhe direitos legais específicos. Também poderá ter outros direitos que variam de Estado para Estado, ou de país para país.

Condições Normais da Garantia ^{1, 2}	
Vanguard®; Série Comercial	
Uso privado - 36 meses	
Uso comercial - 36 meses	
Série XR	

Condições Normais da Garantia ^{1, 2}	
Uso privado - 24 meses	
Uso comercial - 24 meses	
Todos os outros motores com camisa de ferro fundido Dura-Bore™	
Uso privado - 24 meses	
Uso comercial - 12 meses	
Todos os outros motores	
Uso privado - 24 meses	
Uso comercial - 3 meses	

¹ Estas são as nossas condições normais de garantia, mas ocasionalmente pode aplicar-se uma cobertura adicional da garantia não definida à data da publicação. Para obter uma relação das atuais condições da garantia para o seu motor, consulte BRIGGSandSTRATTON.com ou contacte o seu revendedor de serviços autorizado Briggs & Stratton.

² Não há qualquer garantia para motores em equipamento utilizado para potência primária em vez de uma utilidade; ou para geradores de reserva utilizados para fins comerciais, veículos utilitários a mais de 40 km/h, ou motores utilizados em competições ou em veículos comerciais ou de aluguer.

* Na Austrália, os nossos produtos vêm com garantias que não podem ser excluídas pela Lei do Consumidor australiana. Tem direito a uma substituição ou reembolso por uma falha grave e a uma compensação por qualquer outra perda ou dano razoavelmente previsível. Também tem direito a ter os bens reparados ou substituídos se os bens não forem de qualidade aceitável e a falha não equivaler a uma falha grave. Para aceder ao serviço de garantia, contacte o revendedor de serviços autorizado mais próximo indicado no nosso mapa de localizador de revendedor em BRIGGSandSTRATTON.COM, ligue para 1300 274 447, envie um e-mail para salesenquires@briggsandstratton.com.au ou escreva para Briggs & Stratton Australia Pty Ltd, 1 Moorebank Avenue, NSW, Austrália, 2170.

O período de garantia começa na data da aquisição do primeiro consumidor de retalho ou utilizador final comercial e continua durante o período referido acima. "Uso privado" significa a utilização doméstica e pessoal do agregado familiar por um consumidor final. "Uso comercial" refere-se a todas as outras utilizações incluindo as utilizações com objetivos comerciais, de produzir rendimento ou de aluguer. No âmbito desta garantia, após a utilização de um produto para fins comerciais, este será considerado um produto para uso comercial.

Não é necessário qualquer registo de garantia para obter garantia em produtos de marca Briggs & Stratton. Guarde o recibo da compra como comprovativo. Se não fornecer o comprovativo da data de aquisição inicial no momento em que é pedida a assistência de garantia, será considerada a data de fabrico do produto para determinar o período de garantia.

Sobre a sua garantia

Esta garantia limitada abrange exclusivamente materiais relativos ao motor e/ou mão-de-obra, e não a substituição ou o reembolso do equipamento no qual o motor está montado. As intervenções de manutenção de rotina, as afinações, os ajustes, ou normal desgaste e rutura não estão abrangidos por esta garantia. De igual modo, a garantia não se aplica se o motor tiver sido alterado ou modificado ou se o número de série do motor tiver sido adulterado ou removido. Esta garantia não abrange danos do motor ou problemas de desempenho causados por:

- Utilização de peças que não são originais da Briggs & Stratton;
- funcionamento do motor com óleo lubrificante insuficiente, contaminado ou de qualidade inadequada;
- Uso de combustível contaminado ou fora do prazo, gasolina formulada com mais de 10% de etanol, ou recurso a combustíveis alternativos como gás de petróleo liquefeito ou gás natural em motores não concebidos/fabricados de origem pela Briggs & Stratton para funcionar com estes combustíveis;
- Sujidade que tenha penetrado no motor devido a deficiências na manutenção ou montagem do purificador de ar;
- Golpe num objecto provocado pela lâmina de corte de um cortador de relva rotativo, adaptadores de lâminas soltos ou mal montados, rotores, ou outros dispositivos acoplados à cambota, ou aperto excessivo da correia em V;
- Peças ou montagens associadas como embraiagens, transmissões, controlos do equipamento, etc., não fornecidos pela Briggs & Stratton;
- Sobreaquecimento devido a pedaços de erva, sujidade e resíduos, ou ninhos de roedores que entopem ou colmatam as aletas de arrefecimento ou a área do volante do motor, ou por operação do motor sem ventilação suficiente;
- Demasiada vibração devida a velocidade excessiva, montagem do motor mal apertada, lâminas de corte ou rotores soltos ou desequilibrados, ou acoplagem deficiente de componentes do equipamento à cambota;
- Má utilização, falta de manutenção de rotina, transporte, manuseamento, ou armazenagem do equipamento, ou montagem inadequada do motor.

O serviço de garantia apenas se encontra disponível através dos revendedores de serviços autorizados Briggs & Stratton. Localize o seu revendedor de serviços

autorizado mais próximo no nosso mapa de localizador de revendedor em
BRIGGSandSTRATTON.COM ou ligando para 1-800-444-7774 (nos EUA).

80114782 (Revisão A)

Not for reproduction

Allmän information



Denna bruksanvisning innehåller säkerhetsinformation om risker i samband med motorn och hur de kan förhindras. Den innehåller även information om korrekt användning och underhåll av motorn. Det är viktigt att du läser igenom, förstår och följer dessa instruktioner. **Spara bruksanvisningen för framtida bruk.**

ANM.: Bilder och illustrationerna i bruksanvisningen är enbart avsedda för information och kan avvika från din modell. Använd de bilder som anges för din motorkonfiguration. Rådfråga om nödvändigt en auktoriserad serviceverkstad.

Spara uppgifterna om motorns modell, serienummer, inställning och inköpsdatum för att skaffa reservdelar och teknisk hjälp. Dessa nummer finns på motorn. Se avsnittet **Funktioner och reglage.**

Inköpsdatum	
Motorns modell, serienummer och inställning	
Motorns serienummer	

Kontaktuppgifter till vårt Europa-kontor

Vid frågor relaterade till utsläpp i Europa, kontakta vårt Europa-kontor på adressen:

Max-Born-Straße 2, 68519 Viernheim, Tyskland.

Europeiska unionen (EU) steg V (5): Koldioxidvärden (CO₂)

Ange CO₂ i sökfönstret på BriggsandStratton.com för att hitta koldioxidvärden för Briggs & Strattons typgodkända motorer för EU.

Återvinningsinformation



Återvinn alla kartonger, lådor, använd olja och batterier i enlighet med tillämplig lagstiftning.

Förarens säkerhet

Säkerhetssymboler och signalord



Varningssymbolen indikerar information om risker som kan leda till personskador. Signalorden (**FARA**, **VARNING** eller **FÖRSIKTIGHET**) används för att indikera sannolikheten och den potentiella svårighetsgraden av skada. Därutöver används en farosymbol för att indikera typ av fara.

FARA indikerar en risk som, om den inte undviks, **kommer att** leda till allvarliga personskador eller dödsfall.

VARNING indikerar en risk som, om den inte undviks, **kan** leda till allvarlig personskada eller dödsfall.

FÖRSIKTIGHET indikerar en risk som, om den inte undviks, **kan** leda till lindrig eller måttlig personskada.

OBS anger viktig information, som dock inte anses kopplad till fara.

Farosymboler och deras innebörd

	Säkerhetsinformation om faror som kan leda till personskador.		Läs och sätt dig in i handboken innan du använder eller servar enheten.
	Risk för brand		Explosionsrisk
	Risk för elstötar		Risk för giftiga gaser

	Risk för heta ytor		Risk för bakslag
	Amputeringsrisk - Rörliga delar		Bränslenivå - Maximal Överfyll inte

Säkerhetsmeddelanden



VARNING

Briggs & Stratton®-motorerna är inte konstruerade för att användas vid drivning av gokartbilar, barn-, fritids- och sportfordon för terrängkörning (ATV:er), motorcyklar, svävare, flygande apparater eller fordon som används för tävlingsbruk vilka inte har godkänts av Briggs & Stratton. För information om konkurrerande tävlingsprodukter, se www.briggsracing.com. För användning med bruksterrängfordon och tvåsitsiga ATV:er, kontakta Briggs & Stratton Power Application Center, 1-866-927-3349. Olämplig användning av motorn kan leda till allvarliga personskador eller dödsfall.



VARNING

Bränslet och dess ångor är brandfarliga och kan explodera. Brand eller explosion kan orsaka brännskador eller dödsfall.

När du fyller på bränsle

- Stäng av motorn. Innan du tar av bränslelocket, vänta i minst två (2) minuter för att se till att motorn har svalnat.
- Fyll på bränsletanken utomhus eller i ett område med bra luftflöde.
- Överfyll inte bränsletanken. För att bränslet ska kunna expandera får inte mer bränsle fyllas på än till nederkanten av bränsletankens hals.
- Förvara bränsle på avstånd från gnistor, öppen eld, gaskök, värme- och andra antändningskällor.
- Kontrollera ofta att det inte finns sprickor eller läckor på bränsleledningar, tank, lock och kopplingar. Byt ut skadade delar.
- Låt utspillt bränsle torka först innan du startar motorn.

När du startar motorn

- Kontrollera att tändstift, ljuddämpare, tanklock och luftrenare (om sådan finns) är korrekt monterade.
- Dra inte runt motorn om tändstiftet är borttaget.
- Om motorn flödar ska du sätta choken (om sådan finns) i läget ÖPPNA/KÖR. Flytta chokereglaget (om sådant finns) till läget SNABBT och dra igång motorn tills den startar.
- Starta inte motorn om det finns naturgas eller flytande gasbränsle som läcker i området.
- Använd inte trycksatta startvätskor eftersom ångorna är lättantändliga.

När du kör utrustningen

- Luta inte motorn eller utrustningen i en sådan vinkel att bränsle spills ut.
- Choka inte förgasaren (om sådan finns) för att stanna motorn.
- Starta och kör aldrig motorn utan luftrenaren (om sådan finns) eller luftfiltret (om sådant finns).

När du genomför underhåll

- Om du tappar ur olja från det övre oljeröret måste bränsletanken vara tom. Om den inte är tom kan bränsle rinna ut och orsaka brand eller explosion.
- Om enheten måste tippas under underhållsarbetet, se till att bränsletanken (om den är monterad på motorn) är tom och att tändstiftssidan är uppåtvänd. Om bränsletanken inte är tom kan bränslet läcka och orsaka brand eller explosion.
- Kontrollera ofta att det inte finns sprickor eller läckor på bränsleledningar, tank, lock och kopplingar. Byt ut skadade delar.
- Gör inga ändringar på regulatorfjädrar, länkar eller andra delar för att öka motorns varvtal.
- Slå inte på svänghjulet med en hammare eller något annat hårt föremål. Det kan leda till skador på svänghjulet under körning.
- Utbytesdelarna måste av samma konstruktion och installeras i samma position som originaldelarna. Andra delar kan skada maskinen eller orsaka personskador.

När du flyttar utrustningen

- Se till att bränsletanken är TOM eller att bränslekranen är i läget STÄNGD.

Vid förvaring av bränsle eller utrustning med bränsle i tanken

- Eftersom kontrollampor eller andra antändningskällor kan orsaka explosioner, ska bränsle eller utrustning förvaras på avstånd från ugnar, brännare, vattenvärmare och andra apparater som har kontrollampor.

VARNING



Bränslet och dess ångor är brandfarliga och kan explodera. Brand eller explosion kan orsaka brännskador eller dödsfall.

När motorn startas kan gnistor bildas och orsaka brand eller explosion.

- Starta inte motorn om det finns naturgas eller flytande gasbränsle som läcker i området.
- Använd inte trycksatta startvätskor eftersom ångorna är lättantändliga.

VARNING



VARNING FÖR GIFTIG GAS. Avgaser från motorn innehåller koloxid, en giftig gas som kan döda på bara några minuter. Även om du inte känner lukten av avgaser, kan du ändå utsättas för farlig koloxid. Sök dig till frisk luft OMEDELBART om du känner dig illamående, yr eller matt när du använder produkten. Uppsök läkare. Du kan vara koloxidförgiftad.

- Koloxid kan samlas i vistelseutrymmen. Ha produkten igång ENDAST utomhus och långt från fönster, dörrar och ventiler för att minska risken för att koloxid samlas.
- Montera batteridrivna koloxidlarm eller eldrivna koloxidlarm med reservbatteri enligt tillverkarens instruktioner. Brandlarm kan inte detektera koloxid.
- Ha INTE produkten igång inomhus, i garage, källare, kryputrymmen, skjul eller andra slutna utrymmen, även om det finns fläktar eller öppna dörrar och fönster för ventilation. Efter att produkten har varit igång kan koloxid snabbt samlas i den här typen av utrymmen och stanna kvar i många timmar.
- Placera ALLTID denna produkt i lä och rikta avgasröret bort från vistelseutrymmen.

VARNING



Genom snabb indragning av startsnöret (bakslag) dras din hand och arm mot motorn innan du hinner släppa taget. Det kan leda till frakturer, blåmärken och stukningar.

- Starta motorn genom att först dra ut startsnöret långsamt tills ett motstånd känns och sedan snabbt för att undvika bakslag.
- Koppla ur eller ta bort all extern utrustning och motorbelastning innan du startar motorn.
- Se till att direktkopplade utrustningsdelar som t.ex. blad, impeller, remskivor, kuggkransar osv. är ordentligt fästa.

VARNING



Roterande delar kan snärja in händer, fötter, hår, klädesplagg eller tillbehör och orsaka svåra skärskador eller lemlästning.

- Kör utrustningen med skydden ordentligt på plats.
- Håll händer och fötter på avstånd från snurrande delar.
- Avlägsna smycken och se till att långt hår inte kommer i närheten av roterande delar.
- Bär inte löst sittande kläder eller andra föremål som kan trasla in sig.

VARNING



Under körningen blir motorn och ljuddämparen varma. Om du vidrör en varm motor kan brännskador uppstå.

Brännbart material som till exempel löv, gräs och buskar kan fatta eld.

- Stanna motorn och låt den svalna i minst två (2) minuter innan du vidrör motorn eller ljuddämparen. Kontrollera att det är säkert att vidröra motorn och ljuddämparen.
- Ta bort skräp från ljuddämparen och motorn.

Det är olagligt enligt Naturresurslag i Kalifornien (California Public Resource Code), sektion 4442, att använda maskinen på skogsbeklädd, buskbeklädd eller gräsbeklädd mark om inte avgassystemet är utrustat med ett gnistskydd, som det beskrivs i sektion 4442, samt att det är underhållet och i fungerande skick. Andra delstater eller rättsområden kan ha liknande lagar, se federala förordningar 36 CFR del 261.52. Kontakta den ursprungliga tillverkaren, återförsäljaren eller säljaren av utrustningen, för att få en gnisfångare som är utformad för avgassystemet i denna motor.

VARNING



Gnistor från motorn kan orsaka elstöt, brand eller explosion och kan leda till intrassling, lemlästning eller skärskador.

Innan du gör några justeringar eller reparationer:

- Lossa tändstiftskablarna och håll dem borta från tändstiften.
- Koppla bort batterikabeln från batteriets minuspol (endast motorer med elstart).
- Använd endast lämpliga verktyg.

När du kontrollerar tändningssystemet:

- Använd en godkänd gnistprovare.
- Kontrollera inte tändstiftets gnista med tändstiftet bortmonterat.

VARNING



Bränsleångorna är lättantändliga och explosiva. Brand eller explosion kan orsaka brännskador eller dödsfall.

Om du känner gaslukt

- Starta inte motorn.
- Slå inte på några strömbrytare.
- Använd inte telefoner inom området.
- Evakuer området.
- Kontakta gasleverantören eller brandkåren.

Funktioner och reglage

Motorreglage







Jämför indexbokstäverna i bild 1, 2, 3 och 4 med motorreglagen i följande lista:

- A. Motorbeteckning **Modell - Typ - Kod**
- B. Tändstift
- C. Luftrenare (utan bränsletank)
- D. Luftrenare (med bränsletank)
- E. Oljesticka
- F. Oljepåfyllning
- G. Oljefilter (om sådant finns)
- H. Oljeavtappningsplugg
- I. Oljetrycksgivare
- J. Fingerskydd
- K. Elstart
- L. Snörstart (om sådan finns)
- M. Förgasare - Förgasarmodeller
- N. Ljuddämpare
- O. Bränslepump
- P. Startmotorns omkopplare¹
- Q. Gasreglage¹
- R. Chokereglage¹
- S. Bränslefilter (om sådant finns)
- T. Bränsletank
- U. Bränslekran (om sådan finns)¹
- V. Stoppbrytare (om sådan finns)¹
- W. Oljekylare (om sådan finns)
- X. Bränslepumpmodul - EFI Modeller
- Y. Elektronisk styrmodul - EFI-modeller
- Z. Bränsleinsprutare - EFI-modeller

¹ Vissa motorer och maskiner har fjärreglage. Se bruksanvisningen för att se var dessa sitter och hur de används.

Motorreglagesymboler och deras innebörd

	Motorvarvtal – HÖGT		Motorvarvtal – LÅGT
--	---------------------	--	---------------------

 Motorvarvtal – STOPP	 PÅ - AV
 Start av motor Choke STÄNGD	 Start av motor Choke ÖPPEN
 Tanklock Bränslekran ÖPPEN	 Bränslekran STÄNGD

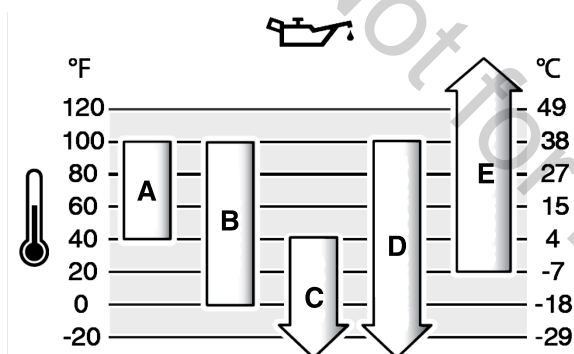
Körning

Oljerekommendationer

Oljevolym: Se avsnittet **Specifikationer**.

För bästa prestanda rekommenderar vi Briggs & Stratton® garanticertifierade olja. Annan renande olja av hög kvalitet som är godkänd enligt SF, SG, SH, SJ eller högre kvalitetsnorm kan användas. Använd inga specialtillsatser.

Se tabellen för val av rätt viskositet för förväntad utomhustemperatur. Motorer på de flesta utomhusmaskiner fungerar bra med syntetolja 5W-30. Om utrustningen körs vid hög temperatur ger syntetoljan Vanguard® 15W-50 det bästa skyddet.



A	SAE 30 - Under 40 °F (4 °C) kan SAE 30 göra motorn svårstartad.
B	10W-30 - Över 80 °F (27 °C) kan 10W-30 orsaka högre oljeförbrukning. Kontrollera oljenivån ofta.
C	5W-30
D	Syntetolja 5W-30
E	Vanguard® syntetolja 15W-50

Kontrollera oljenivån

Före kontroll av oljenivå eller påfyllning av olja

- Se till att motorn står horisontellt.
- Rengör oljepåfyllningsområdet från skräp.
- Se avsnittet **Specifikationer** för oljevolym.

MÅRK

Motorn levereras från Briggs & Stratton utan olja. Vissa utrustningstillverkare eller återförsäljare kan ha fyllt på motorn med olja. Kontrollera oljenivån innan du startar motorn för första gången. Fyll på olja enligt instruktionerna i denna handbok. Om du startar motorn utan olja kommer den att skadas och då täcker inte garantin reparationen.

1. Ta ut oljestickan (A, bild 5) och torka av den med en trasa.
2. Sätt i och dra åt oljestickan (A, bild 5).
3. Ta ut oljemätstickan och kontrollera oljenivån. Kontrollera att oljenivån når upp till fullmarkeringen (B, bild 5) på oljestickan.
4. Om oljenivån är låg ska du långsamt fylla på olja i oljepåfyllningsöppningen (C, bild 5). Fyll inte på för mycket olja.
5. Vänta en minut och kontrollera oljenivån igen. Se till att oljenivån är korrekt.
6. Sätt i och dra åt oljestickan (A, bild 5).

Skydd mot för låg oljenivå (om sådant finns)

Vissa motorer är utrustade med en sensor för låg oljenivå. Om oljenivån är låg kommer sensorn antingen att visa en varningslampa eller stanna motorn. Stanna motorn och följ stegen nedan innan du startar motorn igen.

- Se till att motorn står horisontellt.
- Kontrollera oljenivån. Se avsnittet **Kontrollera oljenivån**.
- Fyll på rätt mängd olja om oljenivån är låg. Starta motorn och kontrollera att varningslampan (om sådan finns) inte lyser.
- Om oljenivån inte är låg ska motorn inte startas. Kontakta en Briggs & Stratton- auktoriserad serviceverkstad för att justera oljeproblemet.

Bränslerekommendationer

Bränslet måste uppfylla följande krav:

- Ren, färsk, blyfri bensin.
- Minst 87 oktan/87 AKI (91 RON). Användning på hög höjd, se nedan.
- Bensin med upp till 10 % etanol kan användas.

MÅRK

Använd inte bensin som inte godkänts, t.ex. E15 och E85. Blanda inte olja i bensinen och gör inga ändringar i motorn för körning på alternativa bränslen. Användning av icke-godkända bränslen kan skada motorns delar och detta täcks inte av garantin.

För att skydda bränslesystemet från att det bildas gummi eller att korrosion uppstår, blanda i en alkoholfri bränslestabilisator och etanolbehandling i bränslet. Se avsnittet **Förvaring**. Allt bränsle är inte likadant. Om problem uppstår med start eller prestanda, byt bränsleleverantör eller bränslemärke. Denna motor är kalibrerad för drift med bensin. Avgaskontrollsystemet för motorer med förgasare är EM (motormodifieringar). Avgaskontrollsystemen för motorer med elektronisk bränsleinsprutning är ECM (motorkontrollmodul), MFI (flerinsprutningssystem), TBI (gasspjällhus bränsleinsprutning) och om tillämpligt en O2S (syresensor).

Hög höjd

På höjder över 5 000 fot (1 524 meter) kan bensin med minst 85 oktan/85 AKI (89 RON) användas.

För förgasarmotorer krävs justering för körning på hög höjd för oförändrad prestanda. Användning utan denna justering leder till sämre prestanda, högre bränsleförbrukning och högre utsläpp. Kontakta en auktoriserad serviceverkstad för Briggs & Stratton för information om justering för hög höjd. Motorn bör inte köras på höjder under 2 500 fot (762 meter) med höghöjdsjustering.

Motorer med elektronisk bränsleinjektion (EFI) behöver inte justeras för hög höjd.

Fylla på bränsle



VARNING
Bränslet och dess ångor är brandfarliga och kan explodera. Brand eller explosion kan orsaka brännskador eller dödsfall.

När du fyller på bränsle

- Stäng av motorn. Innan du tar av bränslelocket, vänta i minst två (2) minuter för att se till att motorn har svalnat.
- Fyll på bränsletanken utomhus eller i ett område med bra luftflöde.
- Överfyll inte bränsletanken. För att bränslet ska kunna expandera får inte mer bränsle fyllas på än till nederkanten av bränsletankens hals.
- Förvara bränsle på avstånd från gnistor, öppen eld, gaskök, värme- och andra antändningskällor.
- Kontrollera ofta att det inte finns sprickor eller läckor på bränsleledningar, tank, lock och kopplingar. Byt ut skadade delar.
- Låt utspillt bränsle torka först innan du startar motorn.

1. Rengör området runt tanklocket från smuts och skräp. Ta bort tanklocket.
2. Fyll på bränsletanken (A, bild 6) med bränsle. Eftersom bränsle kan expandera får inte mer bränsle fyllas på än till nederkanten av bränslepåfyllningsröret (B).
3. Sätt på tanklocket.

Starta motorn



VARNING
Gnistor från motorn kan orsaka elstötar, brand eller explosion och kan leda till intrassling, lemlästning eller skärskador.

Innan du gör några justeringar eller reparationer:

- Lossa tändstiftskablarna och håll dem borta från tändstiften.
- Koppla bort batterikabeln från batteriets minuspol (endast motorer med elstart).
- Använd endast lämpliga verktyg.

När du kontrollerar tändningssystemet:

- Använd en godkänd gnistprovare.
- Kontrollera inte tändstiftets gnista med tändstiftet bortmonterat.



VARNING

Genom snabb indragning av startsnöret (bakslag) dras din hand och arm mot motorn innan du hinner släppa taget. Det kan leda till frakturer, blåmärken och stukningar.

- Starta motorn genom att först dra ut startsnöret långsamt tills ett motstånd känns och sedan snabbt för att undvika bakslag.
- Koppla ur eller ta bort all extern utrustning och motorbelastning innan du startar motorn.
- Se till att direktkopplade utrustningsdelar som t.ex. blad, impeller, remskivor, kuggkransar osv. är ordentligt fästa.



VARNING

VARNING FÖR GIFTIG GAS. Avgaser från motorn innehåller koloxid, en giftig gas som kan döda på bara några minuter. Även om du inte känner lukten av avgaser, kan du ändå utsättas för farlig koloxid. Sök dig till frisk luft OMEDELBART om du känner dig illamående, yr eller matt när du använder produkten. Uppsök läkare. Du kan vara koloxidförgiftad.

- Koloxid kan samlas i vistelseutrymmen. Ha produkten igång ENDAST utomhus och långt från fönster, dörrar och ventiler för att minska risken för att koloxid samlas.
- Montera batteridrivna koloxidlarm eller eldrivna koloxidlarm med reservbatteri enligt tillverkarens instruktioner. Brandlarm kan inte detektera koloxid.
- Ha INTE produkten igång inomhus, i garage, källare, kryputrymmen, skjul eller andra slutna utrymmen, även om det finns fläktar eller öppna dörrar och fönster för ventilation. Efter att produkten har varit igång kan koloxid snabbt samlas i den här typen av utrymmen och stanna kvar i många timmar.
- Placera ALLTID denna produkt i lä och rikta avgasröret bort från vistelseutrymmen.

MÄRK

Motorn levereras från Briggs & Stratton utan olja. Vissa utrustningstillverkare eller återförsäljare kan ha fyllt på motorn med olja. Kontrollera oljenivån innan du startar motorn för första gången. Fyll på olja enligt instruktionerna i denna handbok. Om du startar motorn utan olja kommer den att skadas och då täcker inte garantin reparationen.

ANM.: Utrustningen kan eventuellt ha fjärreglage. Se i utrustningens handbok var fjärreglagen är placerade och hur de används.

Olika startsystem

Innan du startar motorn måste du veta vilken typ av startsystem din motor har. Din motor har en av dessa typer av system.

- **Elektronisk bränsleinsprutning (EFI):** Ett EFI-system har varken choke eller primer.
- **Elektroniskt bränslehanteringssystem:** Ett elektroniskt bränslehanteringssystem har en elektronisk styrenhet som övervakar motorns och temperaturförhållanden. Den har inte någon manuell choke eller tändsystem.
- **Choke:** Denna typ av system har en choke som används vid låg temperatur. Vissa modeller har ett separat chokereglage men andra har kombinationsreglage för choke och gas. Denna typ saknar flödarblåsa.

Elektronisk bränsleinjektionsystem (EFI)

1. Kontrollera motoroljan. Se avsnittet **Kontrollera oljenivån**.
2. Se till att maskinens drivreglage, om sådana finns, är urkopplade.
3. ÖPPNA bränslekranen (A, bild 7), om sådan finns.
4. Tryck stoppknappen (F, bild 7, 8), om sådant finns, till läge PÅ.
5. Flytta gasreglaget (B, bild 8), om ett sådant finns, till läget SNABBT. Kör maskinen i SNABB-läget.
6. **Snörstart, om utrustad med tändningsnyckel:** Vrid tändningsnyckeln (D, bild 7, 8) till läget PÅ.
7. **Snörstart, om sådan finns:** Håll hårt i handtaget på startsnöret (E, bild 7, 8). Dra långsamt i handtaget på startsnöret tills det tar emot och dra sedan snabbt.



VARNING

Om du drar snabbt i startsnöret (bakslag) dras din hand och arm snabbare mot motorn än du hinner släppa taget. Det kan leda till benbrott, frakturer, blåmärken eller stukning. Starta motorn genom att först dra ut startsnöret långsamt tills ett motstånd känns och sedan snabbt för att undvika bakslag.

8. **Elstart, om sådan finns:** Vrid elstartbrytaren (D, bild 7, 8) till PÅ- eller START-läget.

MÄRK För att öka startmotorns livslängd ska den bara köras i korta cykler (högst fem sekunder). Vänta en minut mellan startförsöken.

Om motorn inte startar efter 3 eller 4 försök, kontakta din lokala försäljare eller gå till vanguardpower.com eller ring 1-800-999-9333.

Elektroniskt bränslehanteringssystem

1. Kontrollera motoroljan. Se avsnittet **Kontrollera oljenivån**.
2. Se till att maskinens drivreglage, om sådana finns, är urkopplade.
3. ÖPPNA bränslekranen (A, bild 7), om sådan finns.
4. Tryck stoppknappen (F, bild 7, 8), om sådant finns, till läge PÅ.
5. Flytta gasreglaget (B, bild 8), om ett sådant finns, till läget SNABBT. Kör maskinen i SNABB-läget.
6. **Snörstart, om utrustad med tändningsnyckel:** Vrid tändningsnyckeln (D, bild 7, 8) till läget PÅ.
7. **Snörstart, om sådan finns:** Håll hårt i handtaget på startsnöret (E, bild 7, 8). Dra långsamt i handtaget på startsnöret tills det tar emot och dra sedan snabbt.



VARNING

Om du drar snabbt i startsnöret (bakslag) dras din hand och arm snabbare mot motorn än du hinner släppa taget. Det kan leda till benbrott, frakturer, blåmärken eller stukning. Starta motorn genom att först dra ut startsnöret långsamt tills ett motstånd känns och sedan snabbt för att undvika bakslag.

8. **Elstart, om sådan finns:** Vrid elstartbrytaren (D, bild 7, 8) till PÅ- eller START-läget.

MÄRK För att öka startmotorns livslängd ska den bara köras i korta cykler (högst fem sekunder). Vänta en minut mellan startförsöken.

Om motorn inte startar efter 3 eller 4 försök, kontakta din lokala försäljare eller gå till vanguardpower.com eller ring 1-800-999-9333.

Choke

1. Kontrollera motoroljan. Se avsnittet **Kontrollera och fyll på olja**.
2. Se till att maskinens drivreglage, om sådana finns, är urkopplade.
3. ÖPPNA bränslekranen (A, bild 7), om sådan finns.
4. Tryck stoppknappen (F, bild 7, 8), om sådant finns, till läge PÅ.
5. Flytta gasreglaget (B, bild 7), om ett sådant finns, till läget SNABBT. Kör maskinen i SNABB-läget.
6. Ställ chokereglaget (C, bild 9, 10) i läget STÄNGT

ANM.: Choken behövs vanligtvis inte när du startar en varm motor.

7. **Snörstart, om utrustad med tändningsnyckel:** Vrid tändningsnyckeln (D, bild 7, 8) till läget PÅ.
8. **Snörstart, om sådan finns:** Håll hårt i handtaget på startsnöret (E, bild 7, 8). Dra långsamt i handtaget på startsnöret (E) tills det tar emot och dra sedan snabbt.



VARNING

Om du drar snabbt i startsnöret (bakslag) dras din hand och arm snabbare mot motorn än du hinner släppa taget. Det kan leda till benbrott, frakturer, blåmärken eller stukning. Starta motorn genom att först dra ut startsnöret långsamt tills ett motstånd känns och sedan snabbt för att undvika bakslag.

9. **Elstart (om sådan finns):** Vrid nyckelomkopplaren (D, bild 7, 8) till läget PÅ eller START.

MÄRK

För att öka startmotorns livslängd ska den bara köras i korta cykler (högst fem sekunder). Vänta en minut mellan startförsöken.

10. Flytta chokereglaget (C, bild 9, 10) successivt till läget ÖPPNA medan motorn varmkörs.

ANM.: Om motorn inte startar efter 2-3 försök, kontakta närmaste återförsäljare, gå till vanguardpower.com eller ring 1-800-999-9333.

Stanna motorn



VARNING

Bränslet och dess ångor är brandfarliga och kan explodera. Brand eller explosion kan orsaka brännskador eller dödsfall.

- Choka inte förgasaren (om sådan finns) för att stanna motorn.

1. **Stoppkontakt, i förekommande fall:** Ställ stoppbrytaren (F, bild 11) i läge AV.

2. **Tändningsnyckel, om sådan finns:** Vrid tändningsnyckeln (D, bild 11) till AV med gasreglaget, i förekommande fall, i tomgångsläge LÅNGSAMT. Ta ur nyckeln och förvara den på en säker plats utom räckhåll för barn.
3. STÄNG bränslekranen (A, bild 11), om sådan finns, när motorn stannat.

Underhåll

Underhållsinformation



VARNING Bränslet och dess ångor är brandfarliga och kan explodera. Brand eller explosion kan orsaka brännskador eller dödsfall.

Om enheten måste tippas under underhållsarbetet, se till att bränsletanken (om den är monterad på motorn) är tom och att tändstiftssidan är uppåtvänd. Om bränsletanken inte är tom, kan bränsle läcka ut och orsaka brand eller explosion. Om motorn tippas åt något annat håll, kan den vara svår att starta på grund av att det har kommit olja eller bränsle på luftfiltret och/eller tändstiftet.



VARNING Gnistor från motorn kan orsaka elstötar, brand eller explosion och kan leda till intrassling, lemlästning eller skårskador.

Innan du gör några justeringar eller reparationer:

- Lossa tändstiftskablarna och håll dem borta från tändstiften.
- Koppla bort batterikabeln från batteriets minuspol (endast motorer med elstart).
- Använd endast lämpliga verktyg.

När du kontrollerar tändningssystemet:

- Använd en godkänd gnistprovare.
- Kontrollera inte tändstiftets gnista med tändstiftet bortmonterat.



VARNING Utbytesdelarna måste av samma konstruktion och installeras i samma position som originaldelarna. Andra delar kan skada maskinen eller orsaka personskador.

MÅRK

Alla de komponenter som använts för att bygga denna motor måste sitta på plats för korrekt körning.

Vi rekommenderar att en Briggs & Stratton auktoriserad serviceverkstad anlitas för allt underhåll och service av motorn och dess delar.

Utsläppskontrollservice

För underhåll, byte eller reparation av anordningar och system för avgasreglering, kontakta en kvalificerad reparationsverkstad eller servicetekniker för motorer som inte är avsedda att köras på vägar. För service av utsläppsreglering utan kostnad måste arbetet utföras av en av tillverkaren auktoriserad återförsäljare. Se Instruktioner om utsläppskontroll.

Underhållsschema

Intervall på 8 timmar eller dagligen
<ul style="list-style-type: none"> • Kontrollera motorns oljenivå. • Rengör området omkring ljuddämparen och reglagen.
Intervall på 100 timmar eller årligen
<ul style="list-style-type: none"> • Byt tändstift. • Byt motorolja. • Byt oljefiltret (om sådant finns). • Serva luftfiltret¹. • Rengör förraren (om sådan finns)¹. • Serva avgassystemet.
Intervall på 250 timmar eller årligen
<ul style="list-style-type: none"> • Kontrollera ventilspelet. Justera vid behov.
Intervall 400 timmar eller årligen
<ul style="list-style-type: none"> • Byt luftfilter. • Byt bränslefilter. • Serva luftkylsystemet¹. • Rengör oljekylarens flänsar¹.

¹ Rengör oftare under dammiga förhållanden eller när det finns fler partiklar i luften.

Elektronisk bränsleinjektionssystem (EFI)

EFI-systemet övervakar motorns temperatur och varvtal samt batterispänningen vid motorns start och uppvärmning. Det finns inga inställningar att göra på systemet. Vänd dig till närmaste Briggs & Strattons auktoriserade serviceverkstad om du får problem med start och drift av motorn.

MÅRK Se till att följa stegen nedan så att EFI-systemet inte skadas.

- Starta ALDRIG motorn om batterikablarna är lösa.
- Vrid nyckeln till läget AV innan du kopplar bort, tar bort och/eller monterar batteriet.
- Starta ALDRIG motorn med en batteriladdare.
- Koppla INTE bort batterikablarna när motorn är igång.
- När du kopplar in batteriet, ska du först ansluta pluskabeln (+) och sedan minuskabeln (-) när batteriet kopplas in igen.
- Om du vill ladda batteriet, ska du vrida tändningen till läget AV och lossa minuskabeln (-) från batteriet.
- Spruta ALDRIG vatten direkt på den elektroniska styrmodulen.

Elektroniskt bränslehanteringssystem:

Det elektroniska bränslehanteringssystemet övervakar motortemperaturen, varvtalet och batterispänningen för att justera choken vid start och under varmkörning. Det finns inga inställningar att göra på systemet. Vänd dig till en av Briggs & Strattons auktoriserade serviceverkstäder om du får problem med start och drift.

MÅRK Följ dessa anvisningar så att det elektroniska bränslehanteringssystemet inte skadas.

- Starta ALDRIG motorn om batterikablarna är lösa.
- Vrid tändningsbrytaren till läget AV innan du ansluter startkablarna eller kopplar ur eller återansluter batterikablarna. När batteriet laddas ska tändningsbrytaren stå i läget AV.
- När du lossar batterikablarna från batteriet ska du först koppla ur minuskabeln (-) och sedan pluskabeln (+). När du ansluter batterikablarna till batteriet, ska du först ansluta pluskabeln (+) och sedan minuskabeln (-).
- Starta ALDRIG motorn med en batteriladdare.
- Koppla INTE bort batterikablarna när motorn är igång.
- Spruta INTE vatten direkt på den elektroniska styrenheten.

Förgasare och motorhastighet

Gör inga ändringar på förgasaren, regulatorfjäders, länkar eller andra delar för att justera motorns varvtal. Om justering krävs, kontakta en Briggs & Stratton auktoriserad serviceverkstad för service.

MÅRK

Utrustningens tillverkare specificerar den maximala hastigheten för motorn som installerats på utrustningen. Överskrid inte detta varvtal. Om du inte är säker på vilket maximalt varvtal som gäller för utrustningen, eller vilket motorvarvtal som har fabriksinställts, kontakta en av Briggs & Strattons auktoriserade serviceverkstäder för hjälp. För en säker och korrekt körning av utrustningen ska motorvarvtalet endast justeras av en kvalificerad servicetekniker.

Underhåll av tändstift

Kontrollera elektrodavståndet (A, bild 12) med ett bladmått (B). Justera avståndet vid behov. Montera och dra åt tändstiftet till rekommenderat åtdragningsmoment. För justering av elektrodavstånd och vridmoment, se avsnittet **Specifikationer**.

Underhåll av avgassystem



VARNING Under körningen blir motorn och ljuddämparen varma. Om du vidrör en varm motor kan brännskador uppstå.

Brännbart material som till exempel löv, gräs och buskar kan fatta eld.

- Stanna motorn och låt den svalna i minst två (2) minuter innan du vidrör motorn eller ljuddämparen. Kontrollera att det är säkert att vidröra motorn och ljuddämparen.
- Ta bort skräp från ljuddämparen och motorn.

Det är olagligt enligt Naturresurslag i Kalifornien (California Public Resource Code), sektion 4442, att använda maskinen på skogsbeklädd, buskbeklädd eller gräsbeklädd mark om inte avgassystemet är utrustat med ett gnistskydd, som det beskrivs i sektion 4442, samt att det är underhållet och i fungerande skick. Andra delstater eller rättsområden kan ha liknande lagar, se federala förordningar 36 CFR del 261.52. Kontakta den ursprungliga tillverkaren, återförsäljaren eller säljaren av utrustningen, för att få en gnistfångare som är utformad för avgassystemet i denna motor.

Ta bort skräp från området kring ljuddämparen och cylindern. Kontrollera om ljuddämparen är sprucken, rostig eller skadad. Ta bort sidoskyddet eller flamskyddet,

om sådant finns, och kontrollera om det är skadat eller blockerat av kol. Om det finns skador, montera ersättningsdelarna innan du kör utrustningen.



VARNING
Utbytesdelarna måste av samma konstruktion och installeras i samma position som originaldelarna. Andra delar kan skada maskinen eller orsaka personskadorna.

Byta motorolja



VARNING
Bränslet och dess ångor är brandfarliga och kan explodera. Brand eller explosion kan orsaka brännskador eller dödsfall.

Under körningen blir motorn och ljuddämparen varma. Om du vidrör en varm motor kan brännskador uppstå.

- Om du tappar ur olja från det övre oljeröret måste bränsletanken vara tom. Om den inte är tom kan bränsle rinna ut och orsaka brand eller explosion.
- Stanna motorn och låt den svalna i minst två (2) minuter innan du vidrör motorn eller ljuddämparen. Kontrollera att det är säkert att vidröra motorn och ljuddämparen.

Använd olja är farligt avfall och måste avyttras på ett lämpligt sätt. Blanda inte med hushållsavfall. Kontakta din lokala myndighet, servicecenter eller återförsäljare för information om säker avyttring eller om återvinningsanläggningar.

Urtappning av olja

1. Medan motorn har AV men fortfarande är varm ska du lossa tändstiftskabeln (D, bild 13) och hålla den borta från tändstiftet (E).
2. Ta ut oljemätstickan (A, bild 14, 15).
3. Skruva ur oljepluggen (F, bild 16, 17). Tappa ut oljan i en godkänd behållare.
4. Montera och dra åt oljepluggen (F, bild 16, 17).

Byt oljefilter, om sådant finns

1. Tappa ut oljan ur motorn. Se avsnittet **Urtappning av olja**.
2. Ta bort oljefiltret (G, bild 18, 19) och kassera på lämpligt sätt.
3. Smörj packningen på det nya oljefiltret lätt med ren olja före montering.
4. Skruva på oljefiltret för hand tills packningen ligger an mot filterfästet och dra sedan åt ytterligare 1/2 till 3/4 varv.
5. Fyll på olja. Se avsnittet **Påfyllning av olja**.
6. Starta och kör motorn. Kontrollera att det inte finns några oljeläckor när motorn blir varm.
7. Stäng av motorn. Kontrollera att oljenivån når upp till fullmarkeringen på oljestickan. Se avsnittet **Påfyllning av olja**.

Påfyllning av Olja

- Se till att motorn står horisontellt.
 - Avlägsna allt skräp och rengör omkring oljepåfyllningsöppningen.
 - Se avsnittet **Specifikationer** angående oljevolymer.
1. Ta ut oljemätstickan (A, bild 20, 21). Torka av oljemätstickan med en ren trasa.
 2. Fyll långsamt på olja i oljepåfyllningsöppningen (C, bild 20, 21) **Överfyll inte**. Vänta några minuter och kontrollera oljenivån igen.
 3. Sätt i och dra åt oljestickan (A, bild 20, 21).
 4. Ta ut oljemätstickan och kontrollera oljenivån. Rätt oljenivå är vid markeringens överkant på oljestickan (B, bild 20, 21)
 5. Sätt i och dra åt oljestickan (A, bild 20, 21).
 6. Anslut tändkabeln (-kablarna) (D, bild 20) till tändstiften).

Service av luftfilter



VARNING
Bränsleångorna är lättantändliga och explosiva. Brand eller explosion kan orsaka brännskador eller dödsfall.

- Starta eller kör aldrig motorn utan luftrenare (om en sådan finns) eller luftfilter (om ett sådant finns).

MÅRK

Använd inte tryckluft eller lösningsmedel för att rengöra filtret. Tryckluft kan skada filtret och lösningsmedel löser upp filtret.

Se **Underhållstabell** beträffande service.

Vissa modeller har en förenare som kan rengöras och återanvändas. Jämför bilderna i bruksanvisningen med typen på din motor.

1. **Modeller utan bränsletank:** Lossa fästena (A, bild 22) och ta bort kåpan (B).
2. **Modeller med bränsletank:** Skruva bort skruven (skruvarna) (C, bild 23) och kåpan (D).
3. Ta bort fästet (D, bild 22, 23) och hållaren (E).
4. Ta bort luftfiltret (F, bild 22, 23).
5. Ta bort förenaren (G, bild 22, 23), om sådan finns, från luftfiltret (F).
6. Lossa skräp genom att knacka filtret (F, bild 22, 23) lätt mot en hård yta. Byt till ett nytt luftfilter om det gamla är smutsigt.
7. Rengör förenaren (G, bild 22, 23), om sådan finns, i flytande tvättmedel och vatten. Låt förenaren lufttorka helt. Smörj **INTE** förenaren.
8. Montera den torra förenaren (G, bild 22, 23), om sådan finns, på luftfiltret (F).
9. Montera luftfiltret (F, bild 22, 23) och fäst med hållaren (E) och muttern (D).
10. Montera kåpan (B, bild 22, 23).

Service av bränslesystem



VARNING
Bränslet och dess ångor är brandfarliga och kan explodera. Brand eller explosion kan orsaka brännskador eller dödsfall.

- Förvara bränsle på avstånd från gnistor, öppen eld, gaskök, värme- och andra antändningskällor.
- Kontrollera ofta att det inte finns sprickor eller läckor på bränsleledningar, tank, lock och kopplingar. Byt ut skadade delar.
- Låt utspillt bränsle torka först innan du startar motorn.

Bränslefilter, om sådant finns

1. Tappa ur bränsletanken eller stäng bränsleventilen före rengöring eller byte av bränslefilter (A, bild 24). Om bränsletanken inte har tömts kan bränsle läcka ut och orsaka brand eller explosion.
2. Kläm samman flikarna (B, bild 24) på klämmorna (C) med en tång och ta bort klämmorna från bränslefilter (A).
3. Vrid och dra av bränsleslangarna (D, bild 24) från bränslefilter.
4. Inspektera bränsleslangarna (D, bild 24) och titta efter sprickor och läckor. Byt bränsleslangarna vid behov.
5. Ersätt bränslefilter (A, bild 24).
6. Anslut bränsleslangarna (D, bild 24) med klämmorna (C).

Underhåll av kylsystem



VARNING
Under körningen blir motorn och ljuddämparen varma. Om du vidrör en varm motor kan brännskador uppstå.

Brännbart skräp, som till exempel löv, gräs och buskar kan fatta eld.

- Stanna motorn och låt den svalna i minst två (2) minuter innan du vidrör motorn eller ljuddämparen. Kontrollera att det är säkert att vidröra motorn och ljuddämparen.
- Ta bort skräp från ljuddämparen och motorn.

MÅRK

Använd inte vatten för att rengöra motorn. Vatten kan förorena bränslesystemet. Använd en borste eller torr trasa för att rengöra motorn.

Detta är en luftkyld motor. Skräp och smuts kan hindra luftflödet och orsaka överhettning av motorn, vilket försämrar motorns effekt och livslängd.

1. Avlägsna skräp från luftintaget med en borste eller torr trasa.
2. Håll länkar, fjädrar och reglage rena.
3. Håll området runt och bakom ljuddämparen, om sådan finns, fritt från antändbart skräp.
4. Se till att oljekylflänsarna, om sådana finns, är rena.

Efter en tid kan skräp samlas mellan cylinderns kylflänsar och leda till överhettning av motorn. Detta oönskade material kan inte tas bort utan en delvis nedmontering av motorn. Låt en av Briggs & Strattons auktoriserade serviceverkstäder kontrollera och göra rent luftkylsystemet enligt rekommendationerna i **Underhållstabellen**.

Förvaring Bränslesystem

Se bild 25.



VARNING
Bränslet och dess ångor är brandfarliga och kan explodera. Brand eller explosion kan orsaka brännskador eller dödsfall.

Förvaring av bränsle

- Eftersom kontrollampor eller andra antändningskällor kan orsaka explosioner, ska bränsle eller utrustning förvaras på avstånd från ugnar, brännare, vattenvärmare och andra apparater som har kontrollampor.

Förvara motorn horisontellt (normalt körläge). Fyll på bränsle i bränsletanken (A, bild 25). Fyll inte på mer än till bränsletankens hals (B) så att bränslet kan expandera.

Bränsle kan bli för gammalt om det lagras i en förvaringsbehållare längre än 30 dagar. Bränsle i förvaringsbehållare bör helst blandas med en alkoholfri bränslestabilisator och etanoltillsats för att undvika försämring och hålla bränslet färskt.

Vid påfyllning av bränsle i behållaren, tillsätt en alkoholfri bränslestabilisator enligt tillverkarens anvisningar. Om bensinen i motorn inte har behandlats med en bränslestabilisator, måste den tappas ut i en godkänd behållare.

Motorolja

Byt motorolja medan motorn fortfarande är varm. Se avsnittet *Byte av motoroljan*.

Felsökning

Assistans

Kontakta närmaste återförsäljare, besök BRIGGSandSTRATTON.COM eller ring **1-800-444-7774** (i USA) för hjälp.

Specifikationer

Specifikationer och reservdelar

MODELLER: 290000, 300000	
Slagvolym	29.23 kubiktum (479 cm ³)
Cylinderdiameter	2.677 tum (68 mm)
Slaglängd	2.598 tum (66 mm)
Oljevolym	46 - 48 oz (1,36 - 1,42 l)
Tändstiftelktroдавstånd	.030 tum (.76 mm)
Åtdragningsmoment, tändstift	180 tum-lb (20 Nm)
Brytaravstånd (förgasarmodeller)	.008 - .012 tum (.20 - .30 mm)
Ventilspele, insug	.004 - .006 tum (.10 - .15 mm)
Ventilspele, avgasventil	.004 - .006 tum (.10 - .15 mm)

MODELL: 350000	
Slagvolym	34.78 kubiktum (570 cm ³)
Cylinderdiameter	2.835 tum (72 mm)
Slaglängd	2.756 tum (70 mm)
Oljevolym	46 - 48 oz (1,36 - 1,42 l)
Tändstiftelktroдавstånd	.030 tum (.76 mm)
Åtdragningsmoment, tändstift	180 tum-lb (20 Nm)
Brytaravstånd (förgasarmodeller)	.008 - .012 tum (.20 - .30 mm)
Ventilspele, insug	.004 - .006 tum (.10 - .15 mm)
Ventilspele, avgasventil	.004 - .006 tum (.10 - .15 mm)

MODELL: 380000	
Slagvolym	38.26 kubiktum (627 cm ³)
Cylinderdiameter	2.972 tum (75,5 mm)
Slaglängd	2.756 tum (70 mm)
Oljevolym	46 - 48 oz (1,36 - 1,42 l)
Tändstiftelktroдавstånd	.030 tum (.76 mm)
Åtdragningsmoment, tändstift	180 tum-lb (20 Nm)
Brytaravstånd - förgasarmodeller	.008 - .012 tum (.20 - .30 mm)
Ventilspele, insug	.004 - .006 tum (.10 - .15 mm)
Ventilspele, avgasventil	.004 - .006 tum (.10 - .15 mm)

Motoreffekten minskar med 3,5 % per 1 000 fot (300 m) över havsytan och 1 % per 10 °F (5,6 °C) över 77 °F (25 °C). Motorn arbetar tillfredsställande i

upp till 15° lutningsvinkel. Se maskintillverkarens bruksanvisning angående säkerhetsbegränsningar för arbete på sluttningar.

MODELLER: 290000, 300000, 350000, 380000	
Reservdel	Artikelnummer
Lufffilter (med bränsletank, bild 23)	383857
Lufffilter, (utom modell 380000, bild 22)	394018
Lufffilter (modell 380000, 22)	692519
Lufffilter, förenare (med bränsletank, bild 23)	271794
Lufffilter, förenare (utom modell 380000, bild 22)	272490
Lufffilter, förenare (modell 380000, bild 22)	692520
Olja - SAE 30	100028
Oljefilter	842921
Bränslefilter (med bränsletank)	808116
Bränslefilter (med bränslepump)	845125
Bränslefilter (utan bränslepump)	298090
Avstört tändstift	491055S
Platinatändstift med lång livslängd	696202, 5066K
Tändstiftsnyckel	19576S
Gnistprovare	84003327

Vi rekommenderar att en Briggs & Stratton-auktoriseraad återförsäljare anlitas för underhåll och reparation av motorn och dess delar.

Nominell effekt

Den nominella bruttoeffekten för enskilda bensenmotormodeller märks enligt SAE (Society of Automotive Engineers) J1940, procedur för effekt- och vridmomentklassning för små motorer, och klassas enligt SAE J1995. Vridmomentvärden mäts vid 2 600 rpm på motorer med "rpm" angivet på märkningen och 3 060 rpm på alla andra motorer. Värden i hästkrafter mäts vid 3 600 rpm. Nettoeffektkurvorna finns på www.BRIGGSandSTRATTON.COM. Nettoeffekten mäts med monterade avgassystem och luftrenare, medan bruttoeffekten mäts utan dessa tillbehör. Motorns verkliga bruttoeffekt blir högre än motorns nettoeffekt och påverkas bland annat av driftsmiljö och skillnader mellan olika motorer. Med tanke på det breda utbudet av produkter med motorer monterade, är det inte säkert att bensenmotorn utvecklar den klassificerade bruttoeffekten när den används på en viss utrustning. Skillnaden beror på ett antal faktorer, bland annat olika motordelar (luftrenare, avgassystem, laddning, kylning, förgasare, bensinpump osv.), begränsning i tillämpningen, omgivande driftsmiljö (temperatur, luftfuktighet, höjd över havet) och variationer mellan motorexemplar. På grund av tillverknings- och kapacitetsbegränsningar kan Briggs & Stratton ersätta denna motor med en motor med högre nominell effekt.

Garanti

Garanti för Briggs & Stratton®-motorer

Gäller fr.o.m. augusti 2022

Begränsad garanti

Briggs & Stratton garanterar att, under garantiperioden som specificeras härunder, utan kostnad kommer att reparera eller byta ut delar med materialfel och/eller tillverkningsfel med ny, renoverad eller omtillverkad del enligt Briggs & Strattons eget gottfinnande. Köparen står själv för transportkostnaden för produkt som lämnats in för reparation eller utbyte. Garantin gäller under nedan angivna perioder och enligt nedan angivna villkor. För garantiservice hittar du närmaste auktoriserade serviceverkstad på vår karta Hiita återförsäljare på BRIGGSandSTRATTON.COM. Köparen måste kontakta den auktoriserade servicehandlare och sedan göra produkten tillgänglig för den auktoriserade serviceverkstaden för inspektion och test.

Det finns ingen annan uttrycklig garanti. Underförstådda garantier, bland annat om säljbarhet och lämplighet för ett specifikt syfte, är begränsade till ett år från och med inköpet eller i den grad det är tillåtet enligt lag. Alla andra underförstådda garantier fränskrivs. Ansvarsgaranti vid uppkommande skador och följdskador exkluderas i den grad det är tillåtet enligt lag. Vissa länder eller delstater medger inte begränsning av giltighetstiden för underförstådda garantier och vissa tillåter inte undantag från eller begränsning av ansvaret för följdskador, varför undantag från ovanstående kan gälla för vissa köpare. Denna garanti ger specifika lagstadgade rättigheter, men det kan även finnas andra rättigheter som varierar från land till land eller stat till stat.

Standardgarantivillkor^{1, 2}

Vanguard®; Commercial Series

Privat bruk - 36 månader

Kommersiellt bruk - 36 månader

XR-serien

Privat bruk - 24 månader

Standardgarantivillkor^{1, 2}
Kommersiellt bruk - 24 månader
Alla andra motorer med Dura-Bore™ gjutjärnsfoder
Privat bruk - 24 månader
Kommersiellt bruk - 12 månader
Alla andra motorer
Privat bruk - 24 månader
Kommersiellt bruk - 3 månader

¹ Dessa är våra standardgarantivillkor. Ibland kan dock ytterligare garantitäckning förekomma som inte varit fastställt vid publiceringstidpunkten. För en lista över aktuella garantivillkor för din motor, gå till BRIGGSandSTRATTON.COM eller kontakta din Briggs & Stratton- auktoriserade serviceverkstad.

² På motorer lämnas ingen garanti om de är monterade på utrustning som används: för att ersätta ordinär elkraftförsörjning; som reservkraftgeneratorer för kommersiella ändamål; som nyttofordon med topphastighet över 25 mph; som tävlingsfordon för racing eller; för karting vid kommersiellt bruk eller uthyrning.

* I Australien omfattas våra produkter av garantier som inte kan uteslutas enligt australiensisk konsumentlagstiftning. Du har rätt till en ersättning eller återbetalning vid ett betydande fel och till kompensation vid annan rimlig förutsebar förlust eller skada. Du har även rätt till att få varorna reparerade eller utbyta om varorna inte är av acceptabel kvalitet och felet inte uppgår till ett betydande fel. För garantiservice, kontakta närmaste auktoriserade serviceverkstad på vår karta Hitta återförsäljare på BRIGGSandSTRATTON.COM eller genom att ringa 1300 274 447, eller skicka e-post eller brev till salesenquiries@briggsandstratton.com.au, Briggs & Stratton Australia Pty Ltd, 1 Moorebank Avenue, Moorebank, NSW, Australia, 2170.

Garantiperioden börjar den dag den första konsumenten eller kommersiella slutanvändaren köper motorn och löper under den tidsperiod som uppges i ovanstående tabell. "Privat bruk" avser personligt bruk i hemmet av privatperson. "Kommersiellt bruk" avser allt annat bruk, inklusive yrkesmässigt bruk, användning i näringsverksamhet eller uthyrning. En motor som en gång har använts kommersiellt, ska därefter alltid betraktas som kommersiell i samband med denna garanti.

Ingen registrering krävs för att garantin ska gälla för Briggs & Strattons produkter. Spara ditt inköpskvitto. Om inköpskvittot inte kan uppvisas vid yrkan på garantiservice, kommer produktens tillverkningsdatum att användas för att bestämma garantiperioden.

Angående din garanti

Denna garanti täcker endast motorrelaterat defekt material och/eller utförande och täcker inte utbyte av eller ersättning för den maskin på vilken motorn kan vara monterad. Rutinunderhåll, trimningar, justeringar eller normalt slitage täcks inte av den här garantin. Garantin gäller likaledes inte om motorn har ändrats eller manipulerats eller om motorns serienummer har raderats eller tagits bort. Den här garantin täcker inte motorskador eller prestandaproblem som orsakas av:

1. användning av delar som inte Briggs & Stratton
2. en användning av motorn med otillräcklig, förorenad eller dålig kvalitet på smörjolan;
3. användning av förorenad eller gammalt bränsle, diesel med en etanolhalt som överstiger 10 % eller användning av bränslen som motorgas eller naturgas på motorer som inte ursprungligen konstruerats/tillverkats av Briggs & Stratton för att fungera med sådana bränslen;
4. smuts som trängt in i motorn på grund av ett dåligt underhåll av luftfiltret eller dålig återmontering;
5. slag mot föremål med skärbladet på en roterande gräsklippare, lösa eller dåligt installerade bladadapterar, pumphjul eller andra vevaxelkopplade enheter eller för hårt spänd V-rem;
6. tillbehör eller enheter som t.ex. kopplingar, växellådor, utrustningsreglage, osv., som inte levereras av Briggs & Stratton;
7. överhettning p.g.a klippt gräs, smuts och skräp eller gnagarnästen som täpper till kylflänsarna eller svänghjulets område eller när motorn används utan en tillräcklig ventilation;
8. för hög vibration på grund av en för hög hastighet, lös montering av motorn, lösa eller obalanserade skärblad eller pumphjul eller dålig koppling av utrustningens komponenter till vevaxeln;
9. felaktig användning, dåligt löpande underhåll, transport, hantering eller förvaring av utrustningen eller dålig installation av motorn.

Garantiservice tillhandahålls endast genom Briggs & Stratton auktoriserade serviceverkstäder. Hitta din närmaste auktoriserade serviceverkstad på vår karta Hitta återförsäljare på BRIGGSandSTRATTON.COM eller genom att ringa 1-800-444-7774 (i USA).

Not for reproduction

VANGUARD®

Not for reproduction